



CYT2606L

PFM Step-Up DC-DC Converter

General Description

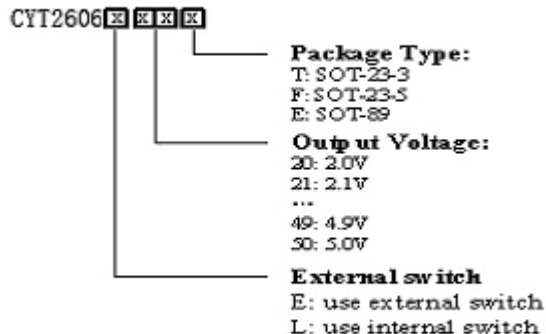
The CYT2606L Series are PFM step-up DC-DC converters with very low ripple noise due to the high operation frequency. The maximum operation frequency is 400KHz.

Only three components are required to realize the conversion from the battery voltage to a selected output voltage.

A driver pin (EXT) is provided for driving external power transistor to extend the output current capability where large current is required.

Enable pin (EN) is also provided so that the circuit can be powered down.

Ordering Information



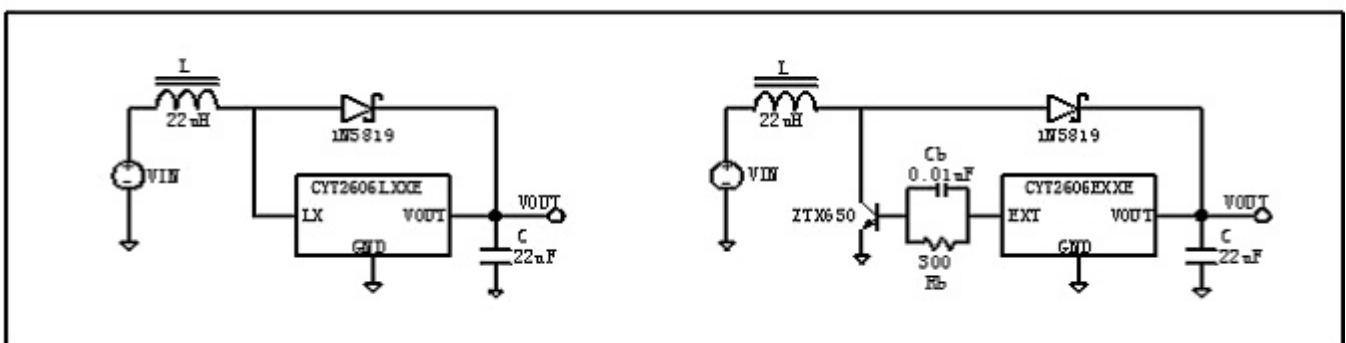
Features

- 400KHz Maximum Operation Frequency
- 2.0V to 5.0V Output Voltage With 0.1V Step
- Low Start-up Voltage: 0.8V at 1mA
- $\pm 2\%$ Output Voltage Accuracy
- Up to 88% Efficiency
- Output current: 300mA at 2.5V input, 3.3V output
- Low Ripple and Low Noise
- Output Current Extendable by External Switch

Applications

- Power source for applications where a higher voltage than the battery voltage is required
- One to three cell battery devices
- Power source for cameras, camcorders, VCRs, PDAs, pagers and hand held communication instrument

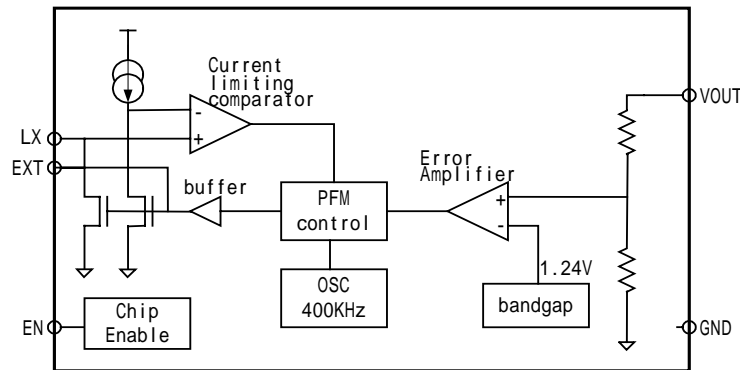
Typical Applications





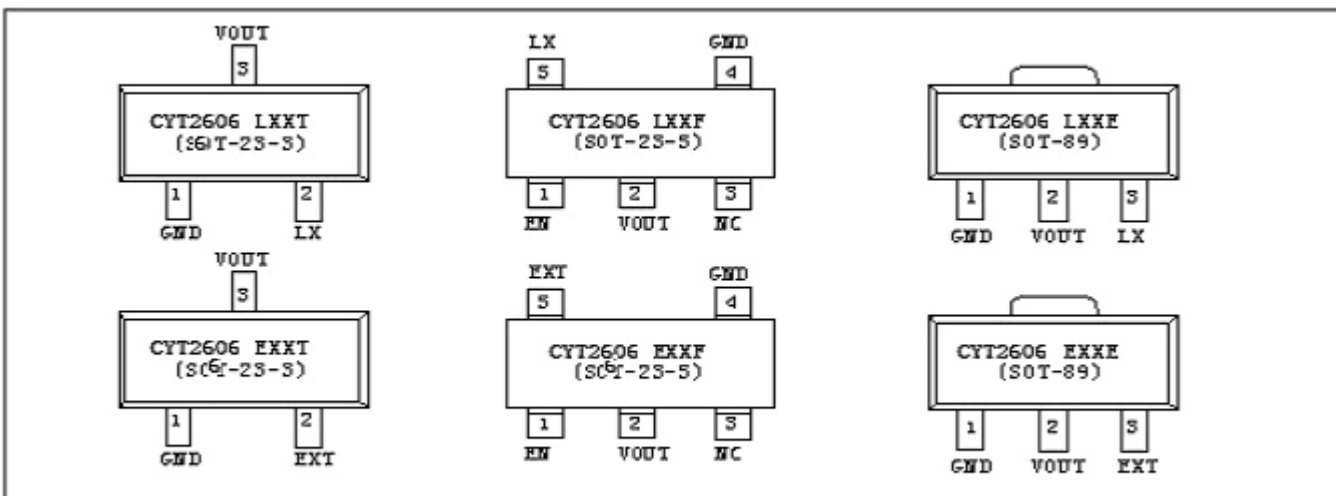
CYT2606L

Block Diagram



Pin Assignment

Pin Name	Part Marking and Package Type						Description
	CYT2606L LXXT SOT-23-3	CYT2606L LXXF SOT-23-5	CYT2606L LXXE SOT-89	CYT2606L EXXT SOT-23-3	CYT2606L EXXF SOT-23-5	CYT2606L EXXE SOT-89	
LX	2	5	3	-	-	-	Switching pin
EXT	-	-	-	2	5	3	Buffer output for external transistor
VOUT	3	2	2	3	2	2	Output voltage
EN	-	1	-	-	1	-	Chip enable (active high)
GND	1	4	1	1	4	1	Ground
NC	-	3	-	-	3	-	No connection





CYT2606L

Absolute Maximum Ratings

Type	Symbol	Description	Value	Unit
Voltage	V _{max}	Maximum voltage on VOUT and VLX pins	8	V
	V _{min-max}	Voltage range on EXT and EN pins	-0.3-VOUT+0.3	V
Current	ILX _{max}	Maximum current on LX pin	1000	mA
	IEXT _{max}	Maximum current on EXT pin	100	mA
Power dissipation	Psot-23-3	Maximum Power dissipation for SOT-23-3 package	0.25	W
	Psot-23-5	Maximum Power dissipation for SOT-23-5 package	0.25	W
	Psot-89	Maximum Power dissipation for SOT-89 package	0.5	W
Thermal	T _{min-max}	Operation temperature range	-20-85	°C
	T _{storage}	Storage temperature range	-40-165	°C
ESD	VESD	ESD voltage for human body mode	2000	V

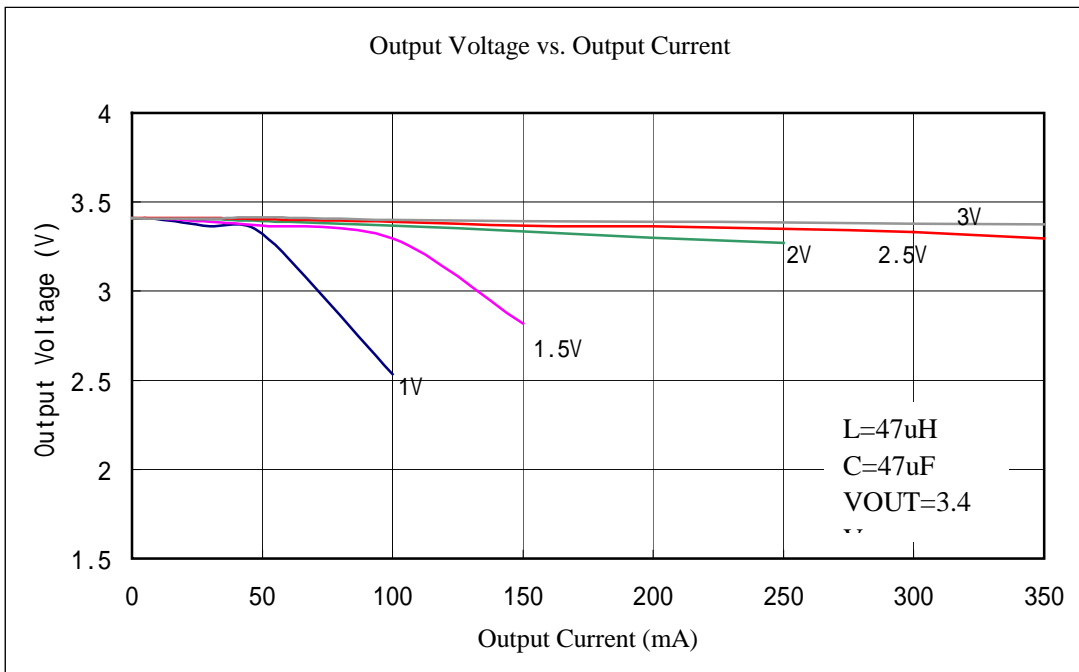
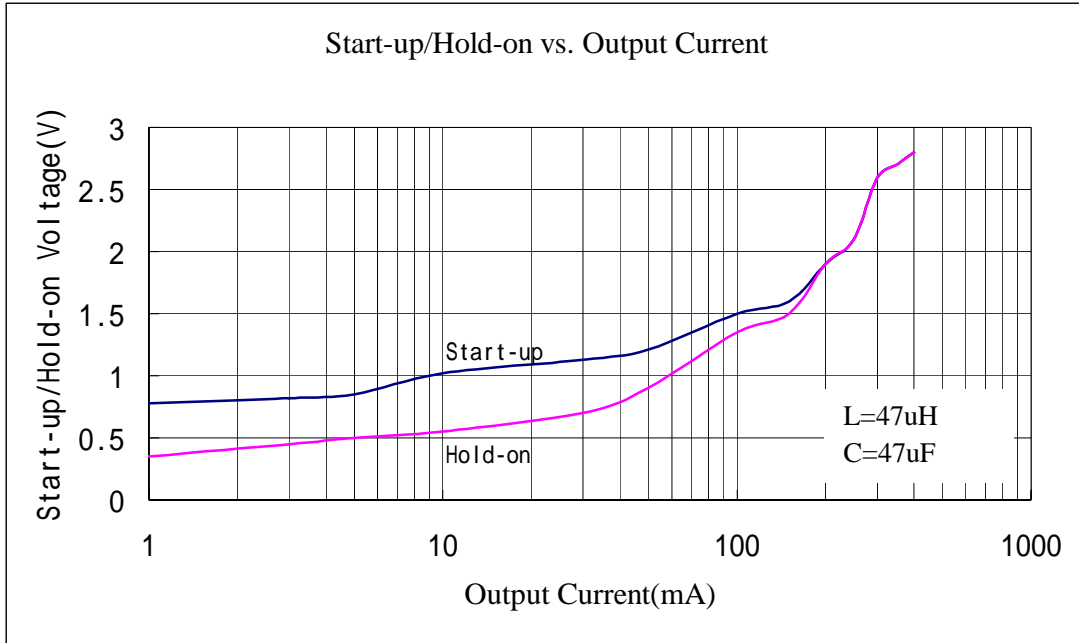
Electronic Characteristics

Parameter	Symbol	Test Condition	Min	Typ	Max	Unit
Output voltage accuracy	VOUT		-2		2	%
Maximum input voltage	V _{INMAX}		0.7		VOUT	V
Start-up voltage	V _{START}	ILOAD=1mA, VIN:0 2V			0.85	V
Hold-on voltage	V _{HOLD}	ILOAD=1mA, VIN:2 0V	0.6			V
Maximum oscillation frequency	F _{MAX}		350	400	450	KHz
Oscillator duty cycle	DC _{OSC}		75	80	85	%
Efficiency				85	88	%
Current limit	I _{LIMIT}		600	800	1000	mA
Input current at no load	I _{INO}	VIN=1.8V VOUT=3.0V		20		uA
		VIN=1.8V VOUT=5.0V		25		uA
Input standby current	I _{INQ}	No load, EN="low"			1	uA
EN "High" voltage level			0.4*VOUT			V
EN "low" level					0.2	V
EN "high" input current					0.1	uA
EN "low" input current			-0.1			uA
EXT output current			-5		5	mA



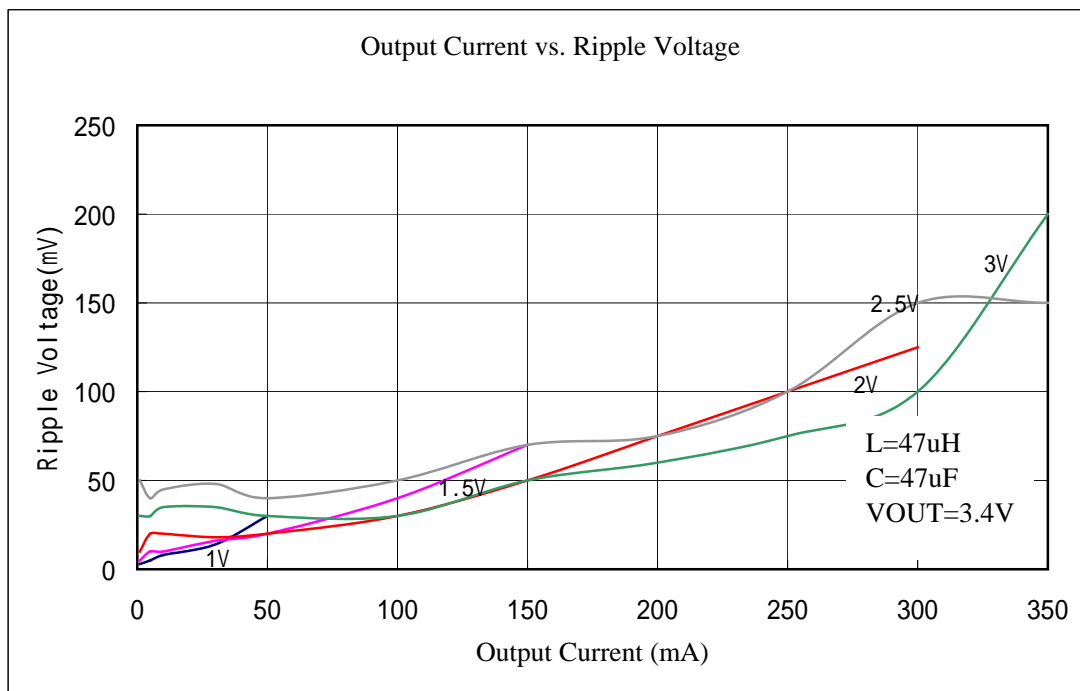
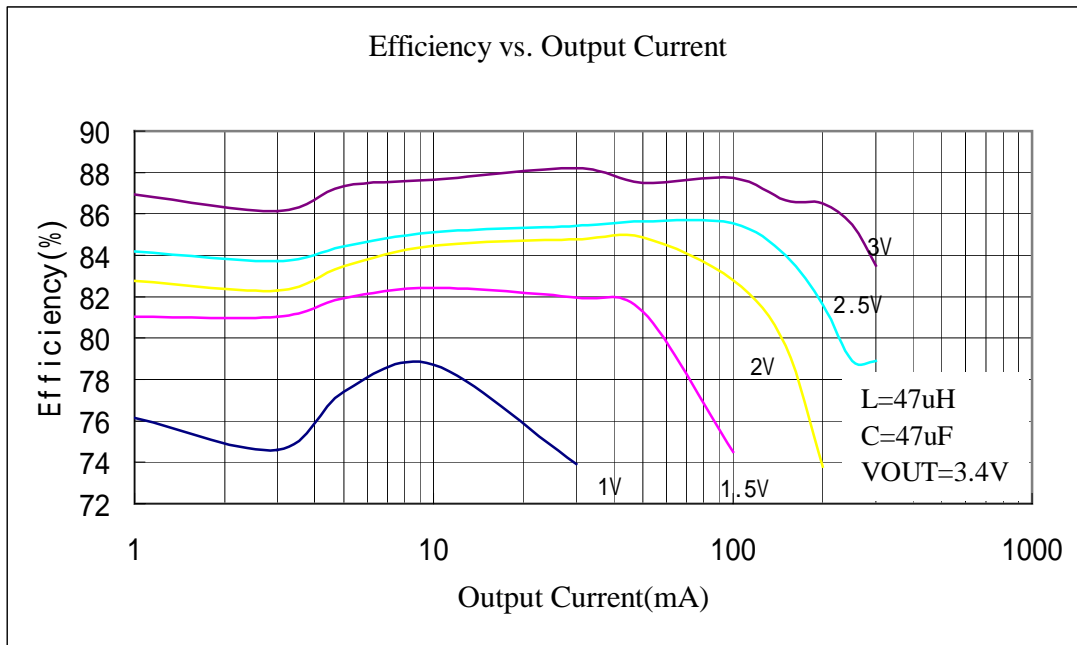
CYT2606L

Typical Characteristics (Using Internal Switch Transistor)



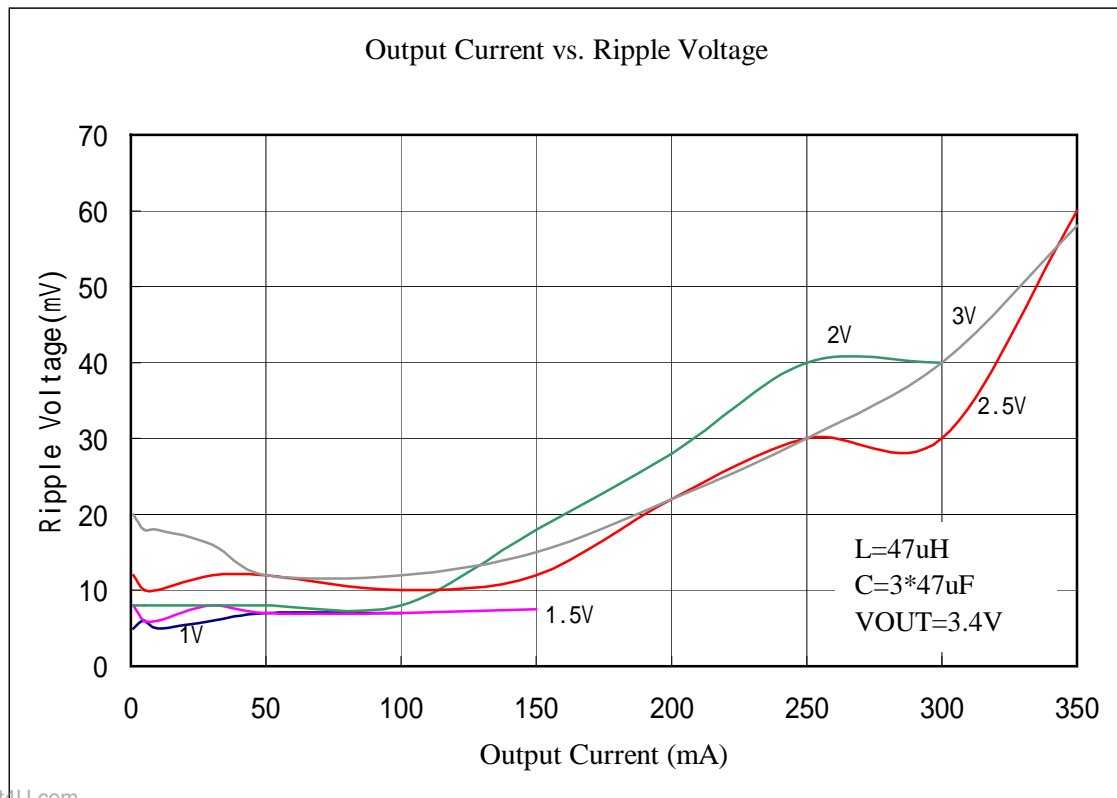
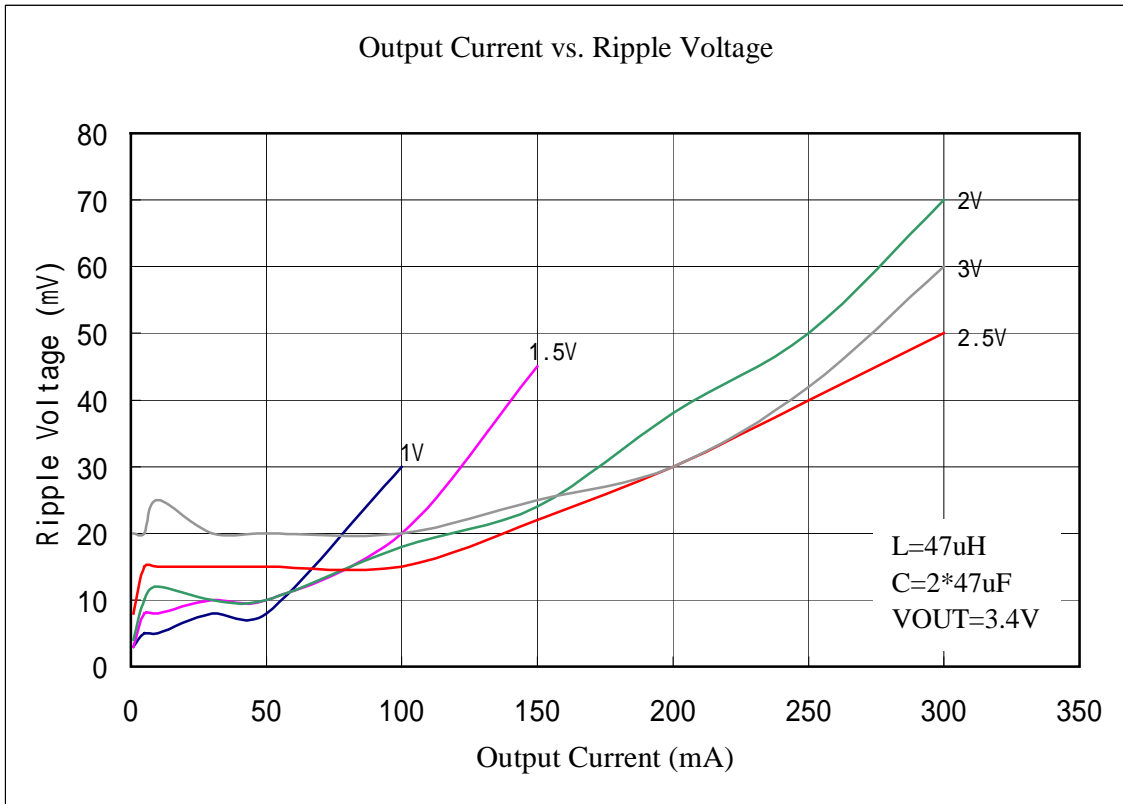


CYT2606L





CYT2606L

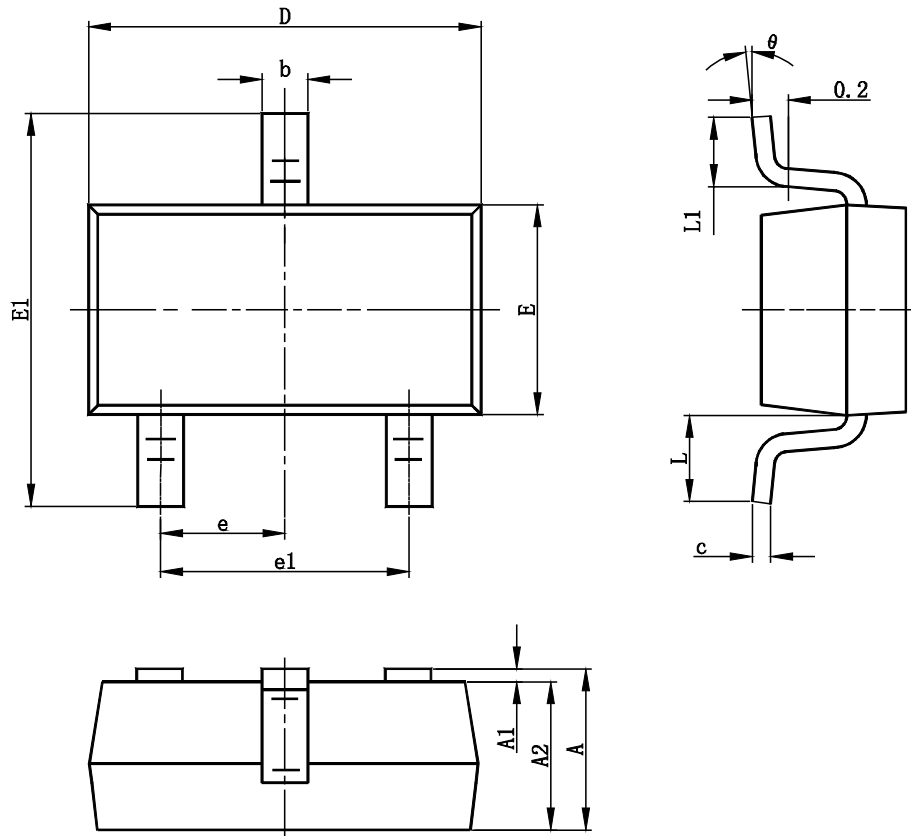




CYT2606L

Package Information

SOT-23-3L PACKAGE OUTLINE DIMENSIONS

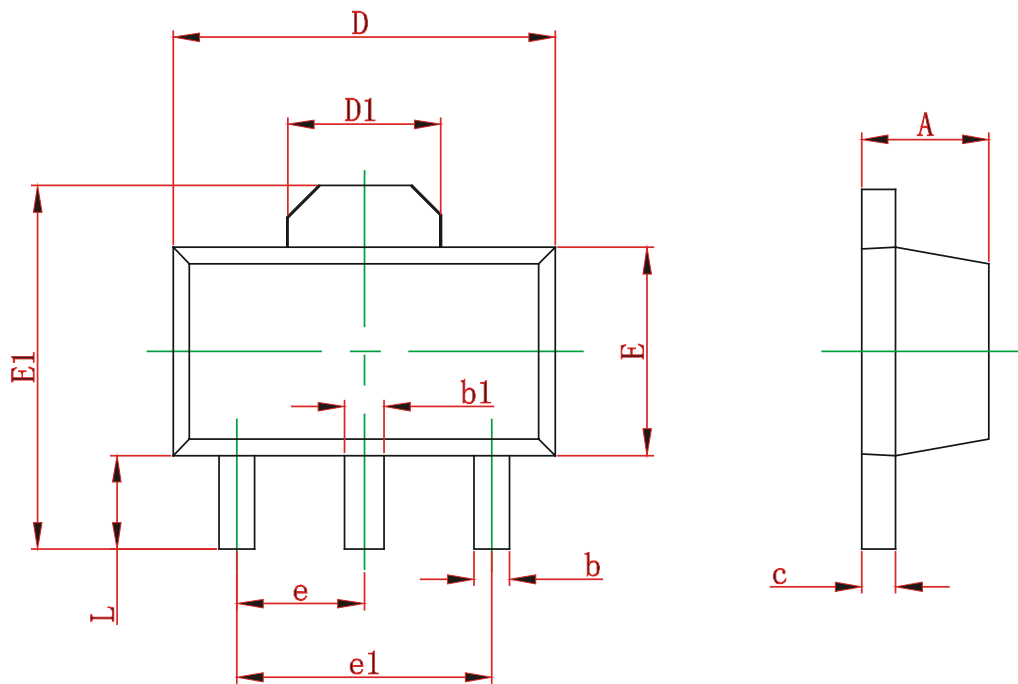


Symbol	Dimensions In Millimeters		Dimensions In Inches	
	Min	Max	Min	Max
A	1.050	1.250	0.041	0.049
A1	0.000	0.100	0.000	0.004
A2	1.050	1.150	0.041	0.045
B	0.300	0.400	0.012	0.016
c	0.100	0.200	0.004	0.008
D	2.820	3.020	0.111	0.119
E	1.500	1.700	0.059	0.067
E1	2.650	2.950	0.104	0.116
e	0.950TYP		0.037TYP	
e1	1.800	2.000	0.071	0.079
L	0.700REF		0.028REF	
L1	0.300	0.600	0.012	0.024
?	08	0	8	



CYT2606 L

SOT-89-3L PACKAGE OUTLINE DIMENSIONS



Symbol	Dimensions In Millimeter		Dimensions In Inches	
	Min	Max	Min	Max
A	1.400	1.600	0.055	0.063
b	0.320	0.520	0.013	0.197
b1	0.400	0.580	0.016	0.023
c	0.350	0.440	0.014	0.017
D	4.400	4.600	0.173	0.181
D1	1.550 REF		0.061 REF	
E	2.300	2.600	0.091	0.102
E1	3.940	4.250	0.155	0.167
e	1.500 TYP		0.060TYP	
e1	3.000 TYP		0.118TYP	
L	0.900	1.200	0.035	0.047