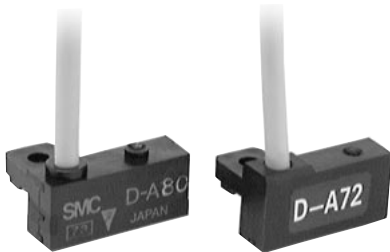


# Reed Switch/Rail Mounting

## D-A72/D-A73/D-A80

**Grommet**  
Electrical entry : Perpendicular



### Applicable Actuator Series

Series	Bore size (mm)
CDJ2, CDVJ	ø10, ø16
CDQ2	ø12, ø16, ø20, ø25, ø32, ø40, ø50, ø63, ø80, ø100, ø125, ø140, ø160
CDXW	Plate mounted ø10, ø16, ø20, ø25, ø32, Housing mounted ø16, ø20, ø25, ø32
CDY1S, CY1L	ø6, ø10, ø15, ø20, ø25, ø32, ø40
RSDQ	ø16, ø20, ø32, ø40, ø50
MDU	ø25, ø32, ø40, ø50, ø63
CE1	ø12, ø20, ø32, ø40, ø50, ø63
MK, MK2	ø20, ø25, ø32, ø40, ø50, ø63
CXT	ø32, ø40

### Specifications

PLC: Programmable Logic Controller

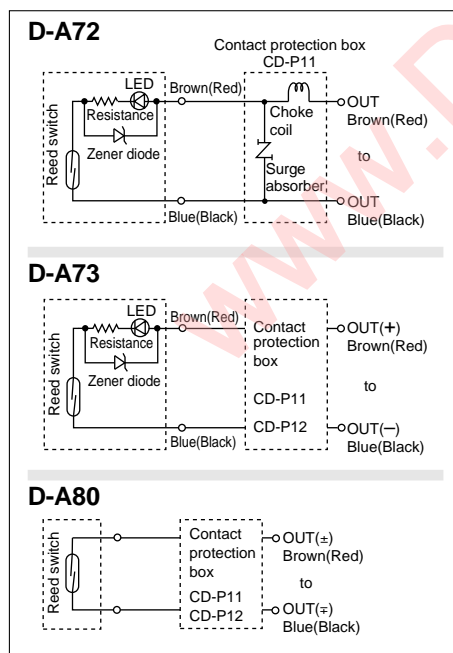
D-A7 (With indicator light)			
Auto switch model number	D-A72	D-A73	
Application	Relay/PLC	Relay/PLC	
Load voltage	200V AC	24V DC	100V AC
Load current range	5 to 10mA	5 to 40mA	5 to 20mA
Contact protection circuit	None		
Internal voltage drop	≤ 2.4V		
Indicator light	ON: When red light emitting diode		

D-A8 (Without indicator light)			
Auto switch model number	D-A80		
Application	Relay/IC circuit/PLC		
Load voltage	24V AC DC or less	48V AC DC	100V AC DC
Max. load current	50mA	40mA	20mA
Contact protection circuit	None		
Internal resistance	1Ω or less (Including 3m lead wire)		

• Lead wire — Oilproof vinyl heavy insulation cable, ø3.4, 0.2mm<sup>2</sup>, 2 cores (Brown, Blue), 0.5m  
 Note 1) Refer to common specifications on the p.5.3-5.  
 Note 2) Refer to the p.5.3-5 for lead wire length.

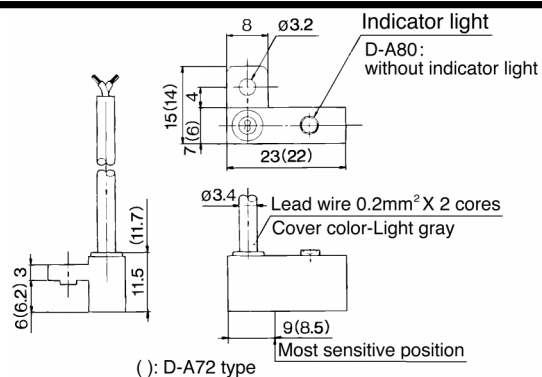
### Internal Circuit

( ): If not applicable for IEC Standard



Note) ① In the case operation load is an inductive load.  
 ② In the case the wiring length to load is ">" 5m.  
 ③ In the case the load voltage is 100 or 200V AC.  
 Be sure to use the auto switch with the contact protection box in any case mentioned above.  
 D-A72 must be used with contact protection box.  
 Refer to p.5.3-6 for the details of contact protection box.

### Dimensions



### Operation Range (ℓ Dimension)

Actuator series	Bore size (mm)															
	6	10	12	15	16	20	25	32	40	50	63	80	100	125	140	160
CDJ2, CDVJ	—	8	—	—	9	—	—	—	—	—	—	—	—	—	—	—
CDQ2	—	—	10	—	12	12	12	12	11	10	12	12	13	13	13	13
CDXW	B	—	—	—	6	6	6	6	—	—	—	—	—	—	—	—
	P	—	6	—	—	6	6	6	—	—	—	—	—	—	—	—
CDY1S	6	6	—	6	—	6	6	6	6	—	—	—	—	—	—	—
CY1L	6	6	—	6	—	6	6	6	6	—	—	—	—	—	—	—
RSDQ	—	—	—	—	—	12	12	12	11	10	—	—	—	—	—	—
MDU	—	—	—	—	—	—	13	13	13	13	13	—	—	—	—	—
CE1	—	—	10	—	—	12	—	12	11	10	12	—	—	—	—	—
MK, MK2	—	—	—	—	—	12	12	12	11	10	12	—	—	—	—	—
CXT	—	—	—	—	—	—	—	12	11	—	—	—	—	—	—	—

Note) Average value at normal temperature including hysteresis. (Tolerance ± 30%)