

# 2 Color Indication Style Solid State Switch/Direct Mounting D-Y7NW(V)/D-Y7PW(V)/D-Y7BW(V)

## Grommet

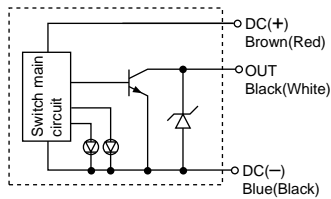
The suitable operating point can be indicated with a green light.  
(Red → Green ← Red)



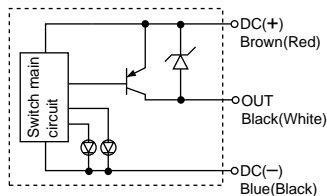
## Internal Circuit

( ): If not applicable for IEC Standard

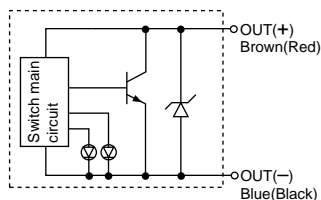
### D-Y7NW(V)



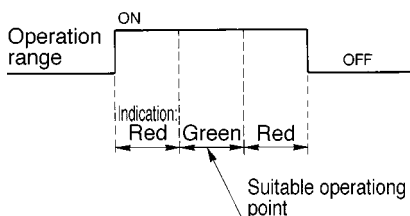
### D-Y7PW(V)



### D-Y7BW(V)



## Indicator light/Operation



## Applicable Actuator Series

Series	Bore size (mm)
CXS	ø6, ø10, ø15, ø20, ø25, ø32
MGQ, MVGQ	ø12, ø16, ø20, ø25, ø32, ø40, ø50, ø63, ø80, ø100
MGP	ø12, ø16, ø20, ø25, ø32, ø40, ø50, ø63, ø80, ø100
MY1B	ø25, ø32, ø40, ø50, ø63, ø80, ø100
MY1C	ø25, ø32, ø40, ø50, ø63
MY1H	ø25, ø32, ø40
MY1M	ø25, ø32, ø40, ø50, ø63
RSH	ø20, ø32, ø50, ø63, ø80

## Specifications

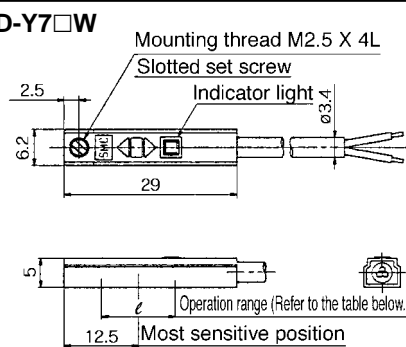
PLC: Programmable Logic Controller

D-Y7□W/D-Y7□WV (With indicator light)						
Auto switch model number	D-Y7NW	D-Y7NWV	D-Y7PW	D-Y7PWV	D-Y7BW	D-Y7BWV
Electrical entry	In-line	Perpendicular	In-line	Perpendicular	In-line	Perpendicular
Wiring	3 wire			2 wire		
Output	NPN		PNP		—	
Application	IC circuit/Relay/PLC				24V DC Relay/PLC	
Power voltage	5/12/24V DC (4.5 to 28V DC)				—	
Current consumption	10mA or less				—	
Load voltage	28V DC or less		—		24V DC (10 to 28V DC)	
Load current	40mA or less		80mA or less		5 to 40mA	
Internal voltage drop	≤1.5V (≤0.8V at 10mA load current)		≤0.8V		≤4V	
Current leakage	100µA or less at 24V DC				0.8mA or less at 24V DC	
Indicator light	Operating point: Red light emitting diode Suitable operating point: Green light emitting diode					

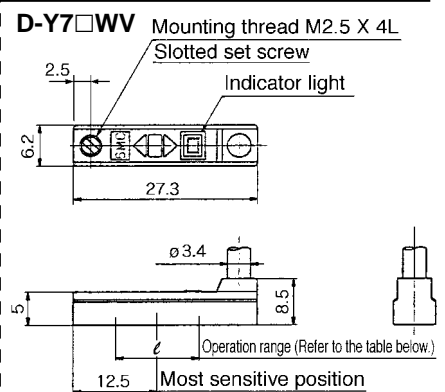
●Lead wire — Oilproof vinyl heavy insulation cable, ø3.4, 0.15mm<sup>2</sup>, 3 cores (Brown, Black, Blue), 2 cores (Brown, Blue), 0.5m  
Note 1) Refer to common specifications on p.5.3-5.  
Note 2) Refer to p.5.3-5 for lead wire length.

## Dimensions

### D-Y7□W



### D-Y7□WV



## Operation Range (ℓ Dimension)

Actuator series	Bore size												
	6	10	12	15	16	20	25	32	40	50	63	80	100
MGQ, MVGQ	—	—	5	—	6	6	6.5	8.5	8.5	9	10	10	11.5
CXS	3	3	—	3.5	—	3.5	4	4.5	—	—	—	—	—
MGP	—	—	5.5	—	7.5	7.5	7	6.5	6	7	8	9.5	10
MY1B	—	—	—	—	—	—	6	9	10	3.5	3.5	3.5	3.5
MY1C, MY1M	—	—	—	—	—	—	5	5	5	5.5	5.5	—	—
MY1H	—	—	—	—	—	—	6	9	10	—	—	—	—
RSH	—	—	—	—	—	7.5	—	5	—	6.5	7.5	10	—
CY1R	—	—	—	—	—	—	7	6	6	7	6	—	—
CY1H	—	6	—	5	—	5	5	6	—	—	—	—	—
ML2B	—	—	—	—	—	—	6	6	6	—	—	—	—
MGF	—	—	—	—	—	—	—	—	9	—	5	—	7.5

Note) Average value at normal temperature including hysteresis. (Tolerance ±30%)

RB

J

D

-X

20-

Technical Data