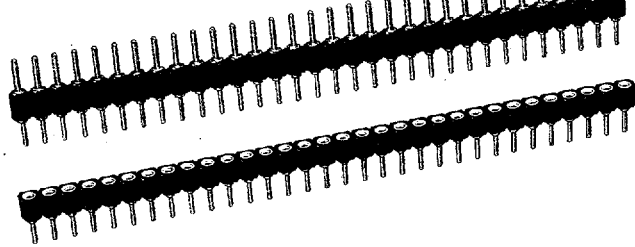


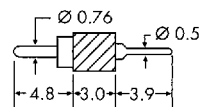
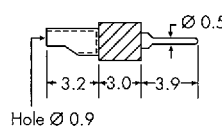
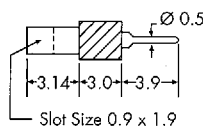
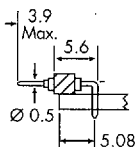
SINGLE IN LINE MODULAR SOCKETS



Single row modular 2.54mm pitch sockets fitted with a four leaf beryllium copper contact for high reliability.

- The sockets intermate with the modular headers detailed below, or integrated circuits.
- Can be cut to size.

HEADERS



No. of Ways

90° Plug (Tin)

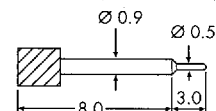
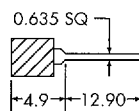
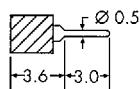
Slotted (Tin)

Solder Cup (Tin)

Through Connect (Tin)

4	D01-9990401	D01-9940401	D01-9930401	D01-9920401
5	D01-9990501	D01-9940501	D01-9930501	D01-9920501
6	D01-9990601	D01-9940601	D01-9930601	D01-9920601
7	D01-9990701	D01-9940701	D01-9930701	D01-9920701
8	D01-9990801	D01-9940801	D01-9930801	D01-9920801
9	D01-9990901	D01-9940901	D01-9930901	D01-9920901
10	D01-9991001	D01-9941001	D01-9931001	D01-9921001
12	D01-9991201	D01-9941201	D01-9931201	D01-9921201
14	D01-9991401	D01-9941401	D01-9931401	D01-9921401
16	D01-9991601	D01-9941601	D01-9931601	D01-9921601
18	D01-9991801	D01-9941801	D01-9931801	D01-9921801
20	D01-9992001	D01-9942001	D01-9932001	D01-9922001
32	D01-9993201	D01-9943201	D01-9933201	D01-9923201

SOCKETS



No. of Ways

Solder (Gold)

Wrap (Gold)

Extended (Gold)

4	D01-9970401	D01-9950401	D01-9800401
5	D01-9970501	D01-9950501	D01-9800501
6	D01-9970601	D01-9950601	D01-9800601
7	D01-9970701	D01-9950701	D01-9800701
8	D01-9970801	D01-9950801	D01-9800801
9	D01-9970901	D01-9950901	D01-9800901
10	D01-9971001	D01-9951001	D01-9801001
12	D01-9971201	D01-9951201	D01-9801201
14	D01-9971401	D01-9951401	D01-9801401
16	D01-9971601	D01-9951601	D01-9801601
18	D01-9971801	D01-9951801	D01-9801801
20	D01-9972001	D01-9952001	D01-9802001
32	D01-9973201	D01-9953201	D01-9803201

Your Custom Variants

To create a variant of those shown above, fax a sketch back to HARWIN for a quotation, detailing the type, number of ways and the finish.

025 CONNECTORS

025 Connector Specification

2.54mm PITCH

Electrical

Current rating: 3 Amps
 Contact resistance: 15 Milliohms
 Insulation resistance: 1×10^6 Megohms at 500 V d.c.
 Voltage Proof: 750 V rms at 50 Hz
 Capacitance: 1.5 pF

Mechanical

Insertion force: 1.5N max (gold) 3.0N max (tin/lead)
 Withdrawal force: 0.3N min (gold) 0.5N min (tin/lead)
 Number of operations: 300 (gold) 50 (tin/lead)
 Climatic category: -40/+105/21 days at 95% R.H.

Materials

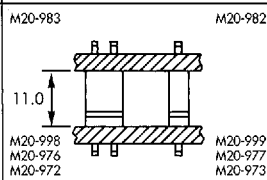
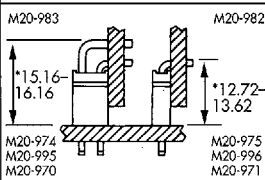
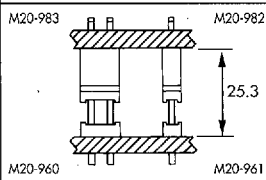
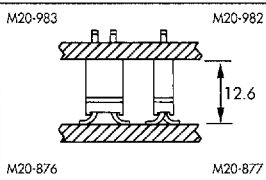
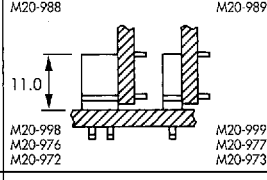
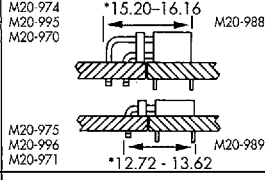
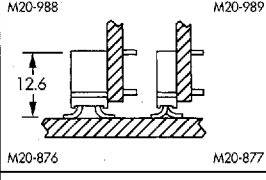
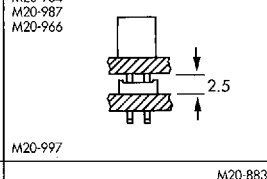
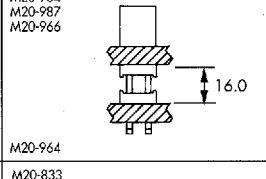
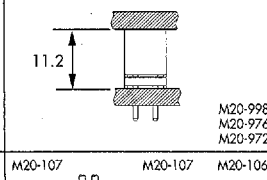
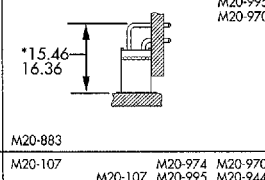
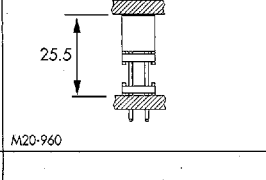
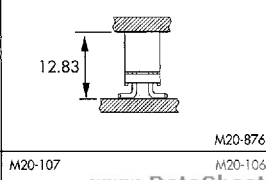
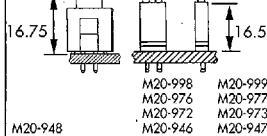
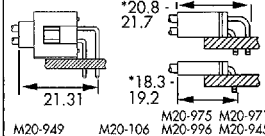
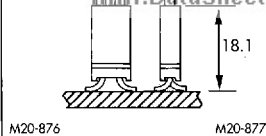
Housing: Glass filled polyester or high temperature thermoplastic UL94V-0
 Socket Contacts: Phosphor bronze, twin leaf box design
 Plug contacts: 0.635 square Copper alloy drawn wire with pyramid end
 Plating finish: Socket contacts - tin/lead or selective gold tin/lead
 Plug contacts: Gold, selective gold/tin lead or tin/lead
 Solderability: Solderability +235°C, 2 seconds wetting time after ageing (IEC512 Test 12a)

Jumper Socket Specification

Housing: Glass filled polyester UL94V-0
 Socket Contact: Phosphor Bronze
 Plating Finish: Gold over nickel, or tin over nickel
 Current rating: 3A at 50°C
 Contact Resistance: 20 Milliohms maximum
 Insertion Force: 13N
 Withdrawal force: 3N
 Number of Insertions: 300 (Gold) 50 (tin)

et4U.com

* Depends on combination of connectors.

DataSheet4U.com 025 Plug Connectors				
025 Sockets	Vertical	Horizontal	Vertical Extended	Vertical SMT
Vertical PC Tail	 <p>M20-983 M20-982 M20-998 M20-999 M20-976 M20-977 M20-972 M20-973</p>	 <p>M20-983 M20-982 M20-974 M20-995 M20-996 M20-970 M20-975 M20-996 M20-971</p>	 <p>M20-983 M20-982 M20-960 M20-961</p>	 <p>M20-983 M20-982 M20-876 M20-877</p>
Horizontal PC Tail	 <p>M20-988 M20-989 M20-998 M20-999 M20-976 M20-977 M20-972 M20-973</p>	 <p>M20-974 M20-995 M20-996 M20-970 M20-975 M20-996 M20-971 M20-989</p>	NOT AVAILABLE	 <p>M20-988 M20-989 M20-876 M20-877</p>
Bottom Entry	 <p>M20-984 M20-987 M20-966 M20-997</p>	NOT APPLICABLE	 <p>M20-984 M20-987 M20-966 M20-964</p>	NOT AVAILABLE
Surface Mount	 <p>M20-883 M20-988 M20-976 M20-972</p>	 <p>M20-883 M20-974 M20-995 M20-970</p>	 <p>M20-833 M20-960</p>	 <p>M20-883 M20-876</p>
Crimp	 <p>M20-107 M20-106 M20-998 M20-999 M20-976 M20-977 M20-972 M20-973 M20-948 M20-946 M20-947</p>	 <p>M20-107 M20-974 M20-970 M20-107 M20-995 M20-944 M20-949 M20-106 M20-975 M20-971 M20-996 M20-945</p>	NOT AVAILABLE	 <p>M20-107 M20-106 M20-876 M20-877</p>

DataSheet4U.com

www.DataSheet4U.com

DataSheet4U.com