



Package: SOT-115J



Product Description

The D10040230PL1 is a Hybrid Power Doubler amplifier module. The part employs GaAs pHEMT and GaN pHEMT die has high output capability, and is operated from 45MHz to 1000MHz. It provides excellent linearity and superior return loss performance with low noise and optimal reliability.

Features

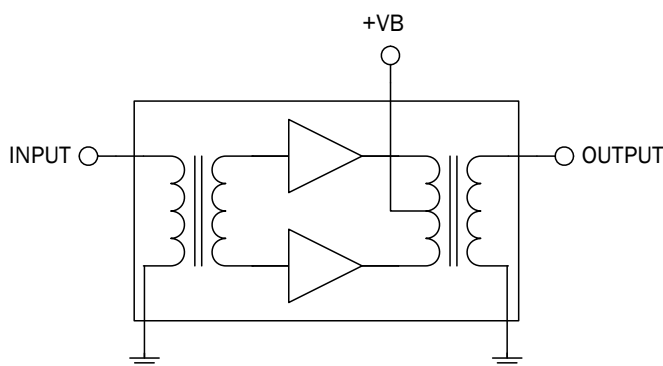
- Low Current
- Excellent Linearity
- Superior Return Loss Performance
- Extremely Low Distortion
- Optimal Reliability
- Extremely Low Noise
- Unconditionally Stable Under All Terminations
- High Output Capability
- 22.5dB Min. Gain at 1GHz
- 380mA Max. at 24VDC

Applications

- 45 MHz to 1000 MHz CATV Amplifier Systems

Optimum Technology Matching® Applied

- GaAs HBT
- GaAs MESFET
- InGaP HBT
- SiGe BiCMOS
- Si BiCMOS
- SiGe HBT
- GaAs pHEMT
- Si CMOS
- Si BJT
- GaN HEMT
- RF MEMS



Parameter	Specification			Unit	Condition
	Min.	Typ.	Max.		
Overall					$V_B = 24V; T_{MB} = 30^\circ C; Z_S = Z_L = 75\Omega$
Power Gain	21.0	21.5	22.0	dB	f=45 MHz
	22.5	23.0	24.0	dB	f=1000MHz
Slope [1]	1.0	1.5	2.5	dB	f=45MHz to 1000MHz
Flatness of Frequency Response			0.8	dB	f=45MHz to 1000MHz (Peak to Valley)
Input Return Loss	20			dB	f=45 MHz to 320MHz
	19			dB	f=320MHz to 640MHz
	18			dB	f=640MHz to 870 MHz
	16			dB	f=870MHz to 1000MHz
Output Return Loss	20			dB	f=45 MHz to 320MHz
	19			dB	f=320MHz to 640MHz
	18			dB	f=640MHz to 870 MHz
	17			dB	f=870MHz to 1000MHz
Noise Figure		3.0	4.0	dB	f=50 MHz to 1000MHz
Total Current Consumption (DC)		370.0	380.0	mA	

1. The slope is defined as the difference between the gain at the start frequency and the gain at the stop frequency.

Absolute Maximum Ratings

Parameter	Rating	Unit
RF Input Voltage (single tone)	60	dBmV
DC Supply Over-Voltage (5 minutes)	30	V
Storage Temperature	-40 to +100	°C
Operating Mounting Base Temperature	-30 to +100	°C



Caution! ESD sensitive device.

Exceeding any one or a combination of the Absolute Maximum Rating conditions may cause permanent damage to the device. Extended application of Absolute Maximum Rating conditions to the device may reduce device reliability. Specified typical performance or functional operation of the device under Absolute Maximum Rating conditions is not implied.

RoHS status based on EU Directive 2002/95/EC (at time of this document revision).

The information in this publication is believed to be accurate and reliable. However, no responsibility is assumed by RF Micro Devices, Inc. ("RFMD") for its use, nor for any infringement of patents, or other rights of third parties, resulting from its use. No license is granted by implication or otherwise under any patent or patent rights of RFMD. RFMD reserves the right to change component circuitry, recommended application circuitry and specifications at any time without prior notice.

Parameter	Specification			Unit	Condition
	Min.	Typ.	Max.		
Distortion data 40 MHz to 550 MHz					$V_B = 24V, T_{MB} = 30^\circ C, Z_S = Z_L = 75\Omega$.
CTB		-70	-67	dBc	79 ch 7 dB tilted; $V_O = 50\text{dBmV}$ at 550MHz, plus 75 digital channels (-6dB offset) ^[2]
XMOD		-65	-62	dBc	79 ch 7 dB tilted; $V_O = 50\text{dBmV}$ at 550MHz, plus 75 digital channels (-6dB offset) ^[2]
CSO		-71	-68	dBc	79 ch 7 dB tilted; $V_O = 50\text{dBmV}$ at 550MHz, plus 75 digital channels (-6dB offset) ^[2]
CIN	58	62		dB	79 ch 7 dB tilted; $V_O = 50\text{dBmV}$ at 550MHz, plus 75 digital channels (-6dB offset) ^[2]

2. 79 analog channels, NTSC frequency raster: 55.25MHz to 547.25MHz, +43dBmV to +50dBmV tilted output level, plus 75 digital channels, -6dB offset relative to the equivalent analog carrier.

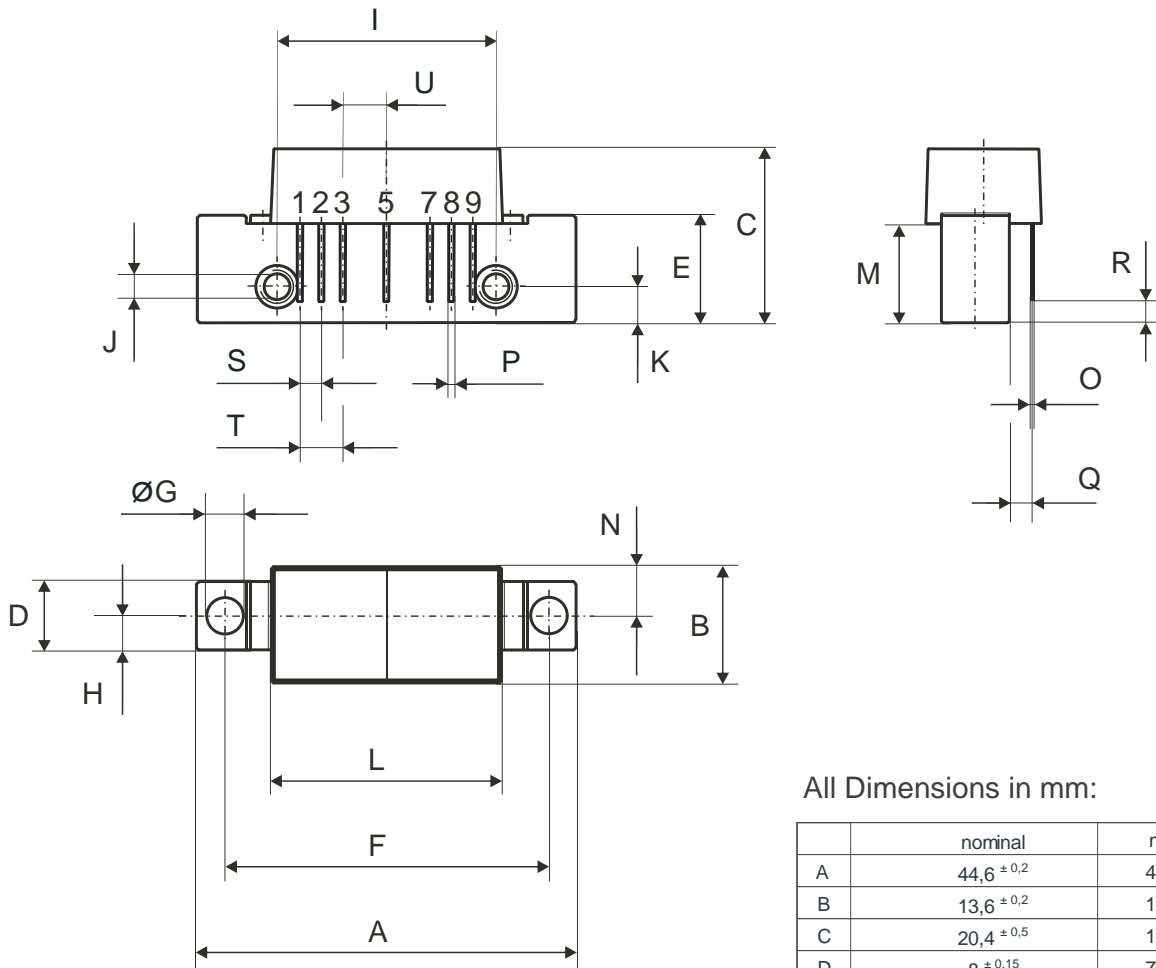
Composite Second Order (CSO) - The CSO parameter (both sum and difference products) is defined by the NCTA.

Composite Triple Beat (CTB) - The CTB parameter is defined by the NCTA.

Cross Modulation (XMOD) - Cross modulation (XMOD) is measured at baseband (selective voltmeter method), referenced to 100% modulation of the carrier being tested.

Carrier to Intermodulation Noise (CIN) - The CIN parameter is defined by ANSI/SCTE 17 (Test procedure for carrier to noise).

D10040230PL1

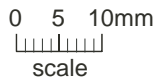


All Dimensions in mm:

	nominal	min	max
A	44,6 ±0,2	44,4	44,8
B	13,6 ±0,2	13,4	13,8
C	20,4 ±0,5	19,9	20,9
D	8 ±0,15	7,85	8,15
E	12,6 ±0,15	12,45	12,75
F	38,1 ±0,2	37,9	38,3
G	4 +0,2/-0,05	3,95	4,2
H	4 ±0,2	3,8	4,2
I	25,4 ±0,2	25,2	25,6
J	UNC 6-32	-	-
K	4,2 ±0,2	4,0	4,4
L	27,2 ±0,2	27,0	27,4
M	11,6 ±0,5	11,1	12,1
N	5,8 ±0,4	5,4	6,2
O	0,25 ±0,02	0,23	0,27
P	0,45 ±0,03	0,42	0,48
Q	2,54 ±0,3	2,24	2,84
R	2,54 ±0,5	2,04	3,04
S	2,54 ±0,25	2,29	2,79
T	5,08 ±0,25	4,83	5,33
U	5,08 ±0,25	4,83	5,33

Pinning:

1	2	3	4	5	6	7	8	9
INPUT	GND	GND	+VB	GND	GND	OUTPUT		



Notes:

