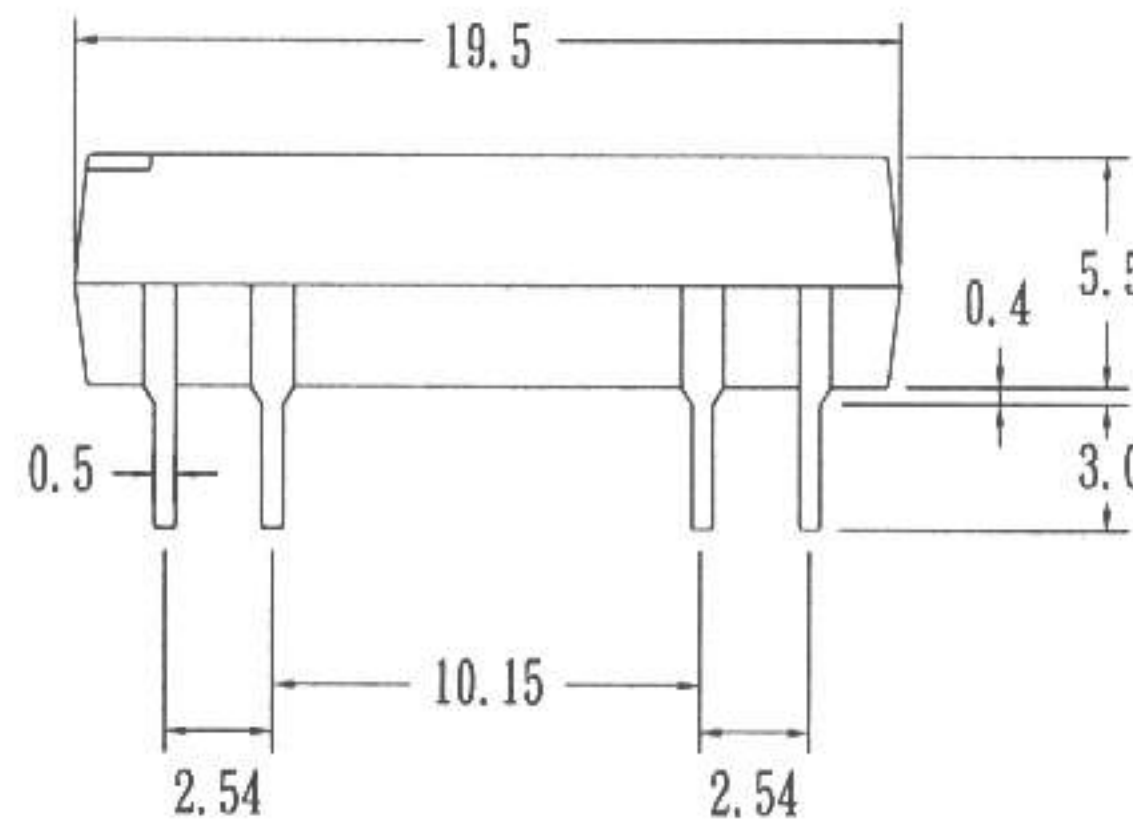
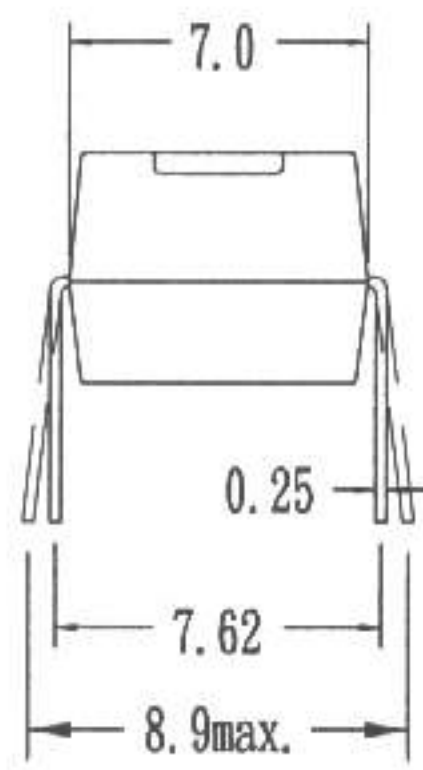


PRODUCT SPECIFICATION

DATE: 03/26/00'

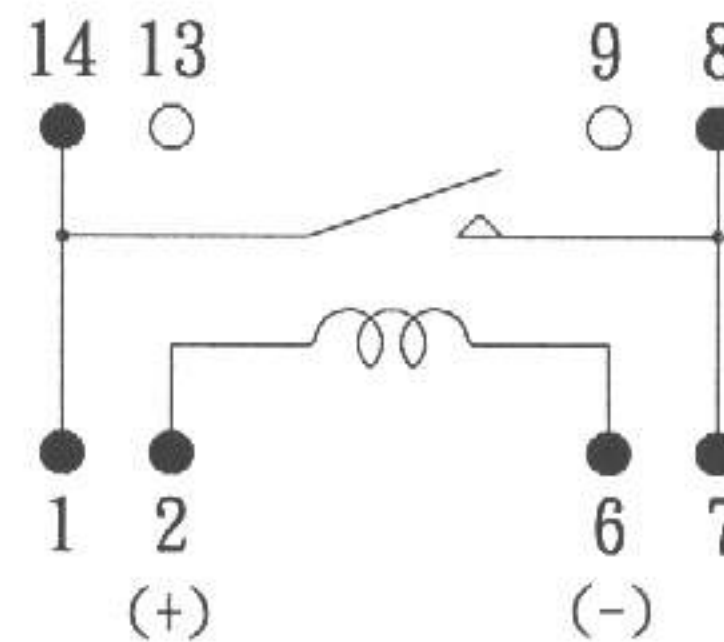
COSMO ELECTRONICS CORPORATION	REED RELAY: D1A050000	NO. 50R01001	REV.
		SHEET 1 OF 2	2

1. OUTSIDE DIMENSION : UNIT (mm)



TOLERANCE : $\pm 0.1\text{mm}$

2. SCHEMATIC : TOP VIEW



ISSUE <i>Dean. Yu.</i> <i>03-28-00</i>	CHECK <i>Alan Sei 03-29-00</i>	APPROVED <i>Alan Hsu 4-1-00</i>
--	-----------------------------------	------------------------------------

PRODUCT SPECIFICATION

DATE: 03/26/00'

COSMO	REED RELAY: D1A050000	NO. 50R01001	REV.
ELECTRONICS CORPORATION		SHEET 2 OF 2	2

3.0 COIL RATINGS: (AT 20°C)

3.1 Coil resistance	500	Ω	(±10%)
3.2 Nominal coil current	5	VDC	
3.3 Maximum Continuous voltage	10	VDC	
3.4 Must operate	3.75	VDC	
3.5 Must release	1.0	VDC	
3.6 Rated current	10	mA	

4.0 ELECTRICAL CHARACTERISTICS:

4.1 Contact resistance	100	mΩ	(max)
4.2 Operate time	0.5	ms	(max)
4.3 Bounce time	0.5	ms	(max)
4.4 Release time	0.2	ms	(max)
4.5 Insulation resistance (100 VDC open contact)	10 ¹¹	Ω	(min)
4.6 Power	10	VA	(max)
4.7 Switching voltage	200	VDC	(max)
4.8 Switching current	0.5	A	(max)
4.9 Carry current	1.0	A	(max)
4.10 Breakdown voltage (across open contact)	250	VDC	(min)
(between coil & contact)	500	VDC	(min)
4.11 Life expectancy (signal level)	10 ⁸		
4.12 Operating temp	-40 to 85°C		
4.13 Storage temp	-50 to 125°C		
4.14 Resonant frequency	3.5	KHZ	
4.15 Vibration (10-2000HZ)	20	g	(max)
4.16 Minimum permissible load	100	mVDC	10uA

ISSUE <i>Dean. Yu.</i> <i>03-28-00</i>	CHECK <i>Alan Lee 03-29-00</i>	APPROVED <i>Sta Hwy 4-1-00</i>
--	-----------------------------------	-----------------------------------