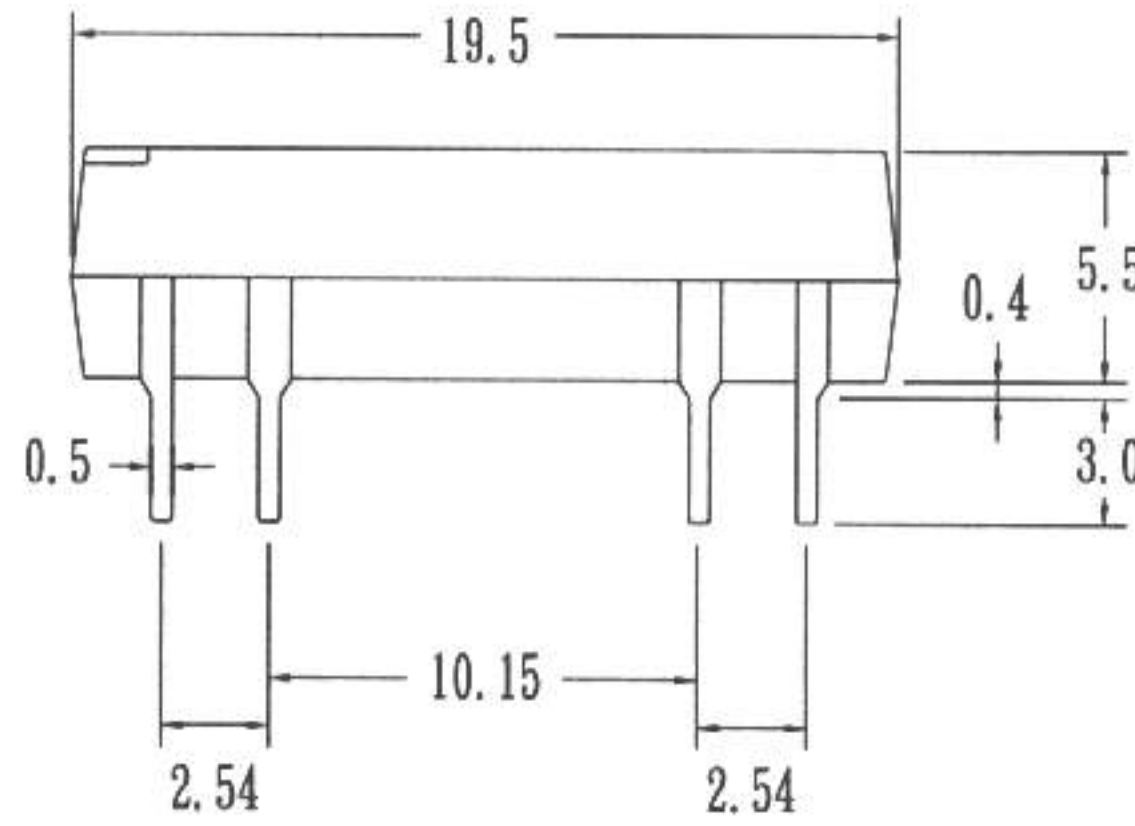
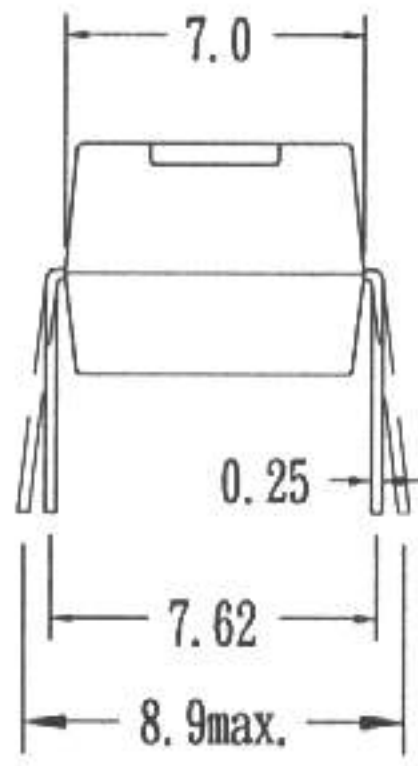


PRODUCT SPECIFICATION

DATE: 03/26/00'

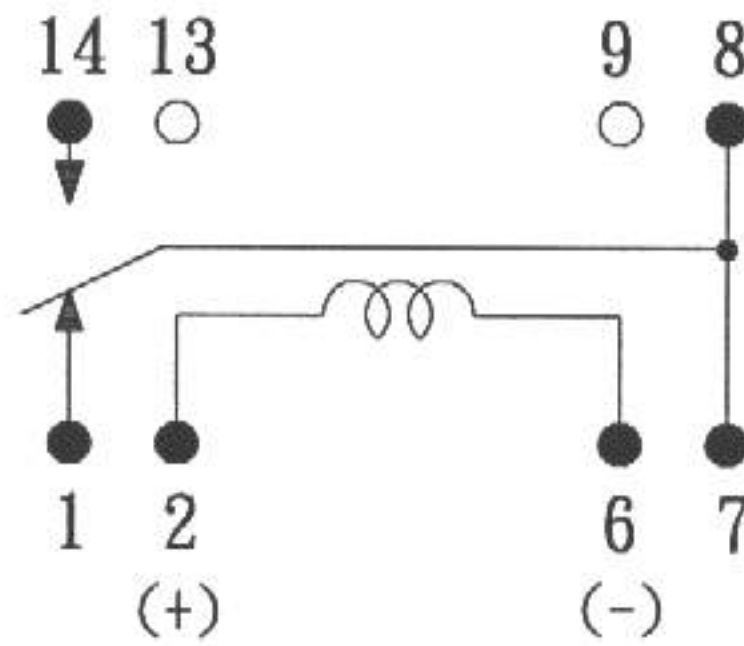
| | | | |
|---|---------------------------------|--------------|------|
| COSMO ELECTRONICS CORPORATION | REED RELAY: D1C240000 | NO. 50R01021 | REV. |
| | | SHEET 1 OF 2 | 2 |

1. OUTSIDE DIMENSION : UNIT (mm)



TOLERANCE : $\pm 0.1\text{mm}$

2. SCHEMATIC : TOP VIEW



| | | |
|--|-----------------------------------|-----------------------------------|
| ISSUE <i>Dean. Yu.</i> <i>03-28-00</i> | CHECK <i>Alan Lai 03-29-00</i> | APPROVED <i>Stm Hsu 4-1-00</i> |
|--|-----------------------------------|-----------------------------------|

PRODUCT SPECIFICATION

DATE: 03/26/00'

| | | | |
|----------------------------------|-------------|--------------|------|
| COSMO ELECTRONICS CORPORATION | REED RELAY: | NO. 50R01021 | REV. |
| | D1C240000 | SHEET 2 OF 2 | 2 |

3.0 COIL RATINGS: (AT 20°C)

| | | |
|--------------------------------|------|-------------------------|
| 3.1 Coil resistance | 2150 | Ω ($\pm 10\%$) |
| 3.2 Nominal coil current | 24 | VDC |
| 3.3 Maximun Continuous voltage | 28 | VDC |
| 3.4 Must operate | 18 | VDC |
| 3.5 Must release | 2.4 | VDC |
| 3.6 Rated current | 11.1 | mA |

4.0 ELECTRONICAL CHARACTERISTICS:

| | | |
|--|-----------------|-----------------|
| 4.1 Contact resistance | 150 | $m\Omega$ (max) |
| 4.2 Operate time | 1.0 | ms (max) |
| 4.3 Bounce time | 2.0 | ms (max) |
| 4.4 Release time | 1.0 | ms (max) |
| 4.5 Insulation resistance (100 VDC open contact) | 10^9 | Ω (min) |
| 4.6 Power | 3 | VA (max) |
| 4.7 Switching voltage | 100 | VDC (max) |
| 4.8 Switching current | 0.25 | A (max) |
| 4.9 Carry current | 0.5 | A (max) |
| 4.10 Breakdown voltage (across open contact) | 200 | VDC (min) |
| (between coil & contact) | 500 | VDC (min) |
| 4.11 Life expectancy (signal level) | 5×10^7 | |
| 4.12 Operating temp | -40 to 85°C | |
| 4.13 Storage temp | -50 to 125°C | |
| 4.14 Resonant frequency | 3.5 | KHZ |
| 4.15 Vibration (10-2000HZ) | 20 | g (max) |
| 4.16 Minimum permissible load | 100 | mVDC 10uA |

| | | |
|--------------------------------|----------------------------|-----------------------------|
| ISSUE Dean. Yu. 03-28-00 | CHECK Alan Lui 03-29-00 | APPROVED Stan Hsu 4-1-00 |
|--------------------------------|----------------------------|-----------------------------|