

ELECTRICAL CHARACTERISTICS (T_{case} = 25°C unless otherwise stated)

Parameter	Test Conditions	Min.	Typ.	Max.	Unit
B _V DSS Drain–Source Breakdown Voltage	V _{GS} = 0 I _D = 10mA	65			V
I _D DSS Zero Gate Voltage Drain Current	V _{DS} = 28V V _{GS} = 0			1	mA
I _G SS Gate Leakage Current	V _{GS} = 20V V _{DS} = 0			1	µA
V _{GS(th)} Gate Threshold Voltage*	I _D = 10mA V _{DS} = V _{GS}	1		7	V
g _{fs} Forward Transconductance*	V _{DS} = 10V I _D = 0.2A	0.18			mhos
G _{PS} Common Source Power Gain	P _O = 750mW	11			dB
η Drain Efficiency	V _{DS} = 12V I _{DQ} = 75mA	40			%
VSWR Load Mismatch Tolerance	f = 1GHz	10:1			—
C _{iss} Input Capacitance	V _{DS} = 0V V _{GS} = -5V f = 1MHz			12	pF
C _{oss} Output Capacitance	V _{DS} = 28V V _{GS} = 0 f = 1MHz			6	
C _{rss} Reverse Transfer Capacitance	V _{DS} = 28V V _{GS} = 0 f = 1MHz			0.5	

* Pulse Test: Pulse Duration = 300 µs , Duty Cycle ≤ 2%

THERMAL DATA

R _{THj-case}	Thermal Resistance Junction – Case	Max. 70°C / W
-----------------------	------------------------------------	---------------

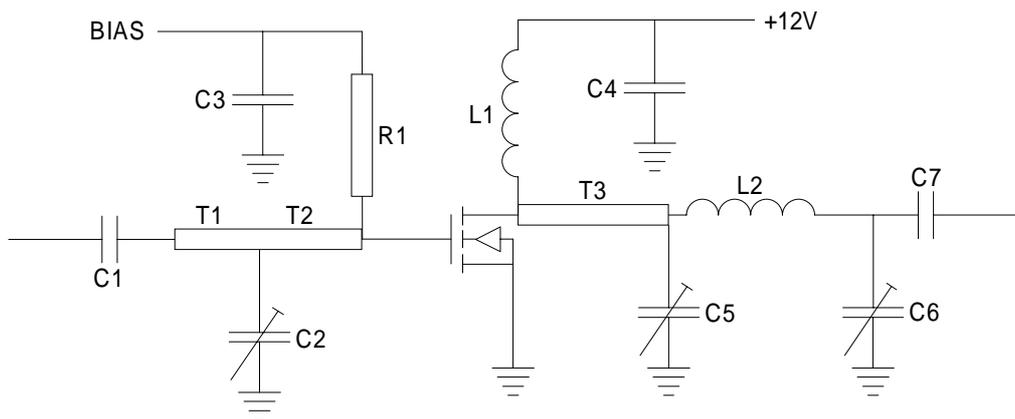
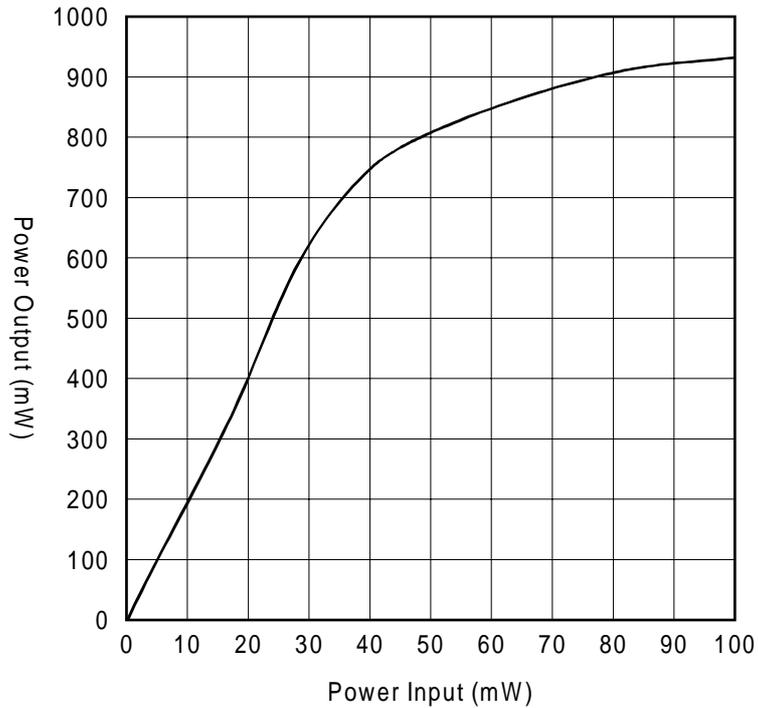
S Parameters at V_d = 12V, I_d = 75mA

Freq MHz	S11		S12		S21		S22	
	mag	ang	mag	ang	mag	ang	mag	ang
300	0.47	-95	0.04	50	5.20	90	0.32	-90
400	0.46	-120	0.05	80	4.40	76	0.35	-91
500	0.47	-131	0.07	100	3.50	68	0.38	-94
600	0.49	-146	0.10	110	3.00	59	0.43	-98
700	0.51	-156	0.15	110	2.60	51	0.48	-103
800	0.53	-163	0.20	104	2.30	45	0.54	-108
900	0.54	-180	0.25	100	2.10	40	0.58	-112
1000	0.55	178	0.29	96	1.80	36	0.60	-116
1100	0.56	175	0.34	91	1.60	33	0.63	-120
1200	0.57	163	0.40	85	1.40	28	0.65	-126
1300	0.58	150	0.45	80	1.30	26	0.66	-129
1400	0.60	144	0.48	75	1.20	24	0.66	-133
1500	0.60	140	0.52	70	1.10	22	0.66	-135
1600	0.59	130	0.55	66	1.00	21	0.65	-138
1700	0.58	123	0.58	63	0.95	20	0.65	-140
1800	0.56	115	0.60	58	0.90	19	0.64	-142
1900	0.54	110	0.62	54	0.90	20	0.64	-144
2000	0.51	108	0.62	50	0.90	20	0.63	-145

Semelab Plc reserves the right to change test conditions, parameter limits and package dimensions without notice. Information furnished by Semelab is believed to be both accurate and reliable at the time of going to press. However Semelab assumes no responsibility for any errors or omissions discovered in its use. Semelab encourages customers to verify that datasheets are current before placing orders.

TYPICAL PERFORMANCE D2081UK at 1GHz

Bias Conditions $V_d = 12V$, $I_{dq} = 75mA$



D2081UK 1GHz Test Circuit

C1, C7 33pF ATC100B

C2, C5, C6 1–8pF

C3, C4 1000pF NPO

L1 0.1 μ H

L2 10mm of 1.6mm tcw (half turn)

T1 50 Ω microstrip, 11mm long

T2 50 Ω microstrip, 15mm long

T3 50 Ω microstrip, 5mm long

Semelab Plc reserves the right to change test conditions, parameter limits and package dimensions without notice. Information furnished by Semelab is believed to be both accurate and reliable at the time of going to press. However Semelab assumes no responsibility for any errors or omissions discovered in its use. Semelab encourages customers to verify that datasheets are current before placing orders.