

FEATURES

- Full diffusion process, flat type ceramic tube package
- Double sides cooling, High current
- Minimum Lot-to-Lot variations for robust device performance and reliable operation



APPLICATIONS

- High power converters
- AC/DC switching
- Phase controlled rectifying

ABSOLUTE MAXIMUM RATINGS

SYMBOL	PARAMETER	CONDITIONS	VALUE	UNIT
V_R	Repetitive Peak Reverse Voltage		4500	V
$I_{F(AV)}$	Average Forward Current	$T_C=85^\circ\text{C}$	290	A
I_{FSM}	Surge Forward Current	$T_j=125^\circ\text{C}$	4500	A
T_J	Junction Temperature		-40~125	$^\circ\text{C}$
T_{stg}	Storage Temperature Range		-40~140	$^\circ\text{C}$

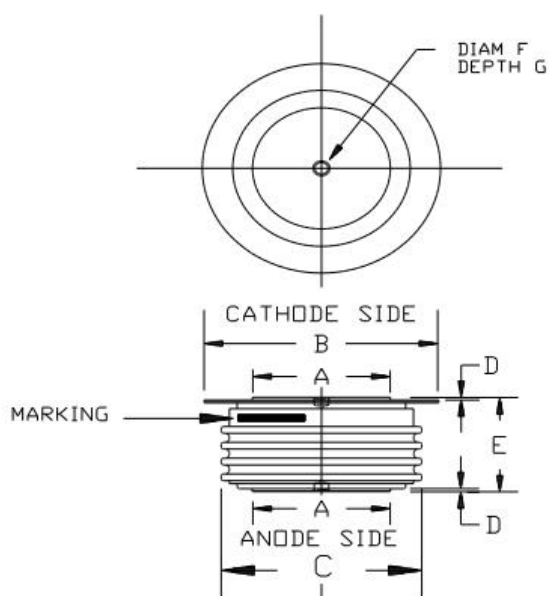
THERMAL CHARACTERISTICS

SYMBOL	PARAMETER	MAX	UNIT
$R_{th\ j-c}$	Thermal Resistance, Junction to Case	0.11	$^\circ\text{C}/\text{W}$

ELECTRICAL CHARACTERISTICS

SYMBOL	PARAMETER	CONDITIONS	MAX	UNIT
V_F	Forward Voltage drop	$I_F = 1200A, T_j = 125^\circ C$	4.15	V
I_{RRM}	Instantaneous Reverse Current	$V_{RM} = V_{RRM}$	100	mA
t_{rr}	Reverse Recovery Time	$I_{FM} = 1000A, di/dt = 10A/\mu s; T_j = 125^\circ C$	4	μs

OUTLINE PACKAGE



DIMENSIONS	Min. mm	Max. mm	Min. In.	Max. In.
DIAM A	33.02	34.29	1.30	1.35
DIAM B	55.88	63.50	2.20	2.50
DIAM C	--	54.61	--	2.15
D	0.76	--	0.03	--
E	25.40	27.18	1.00	1.07
F	3.30	3.81	0.13	0.15
G	1.78	2.03	0.07	0.08

STRIKE DISTANCE = .73 INCH / 18.5 MM MIN.
 CREEPAGE DISTANCE = 1.17 INCH / 29.7 MM MIN.

NOTICE:

ISC reserves the rights to make changes of the content herein the datasheet at any time without notification. The information contained herein is presented only as a guide for the applications of our products.

ISC products are intended for usage in general electronic equipment. The products are not designed for use in equipment which require specialized quality and/or reliability, or in equipment which could have applications in hazardous environments, aerospace industry, or medical field. Please contact us if you intend our products to be used in these special applications.

ISC makes no warranty or guarantee regarding the suitability of its products for any particular purpose, nor does ISC assume any liability arising from the application or use of any products, and specifically disclaims any and all liability, including without limitation special, consequential or incidental damages.