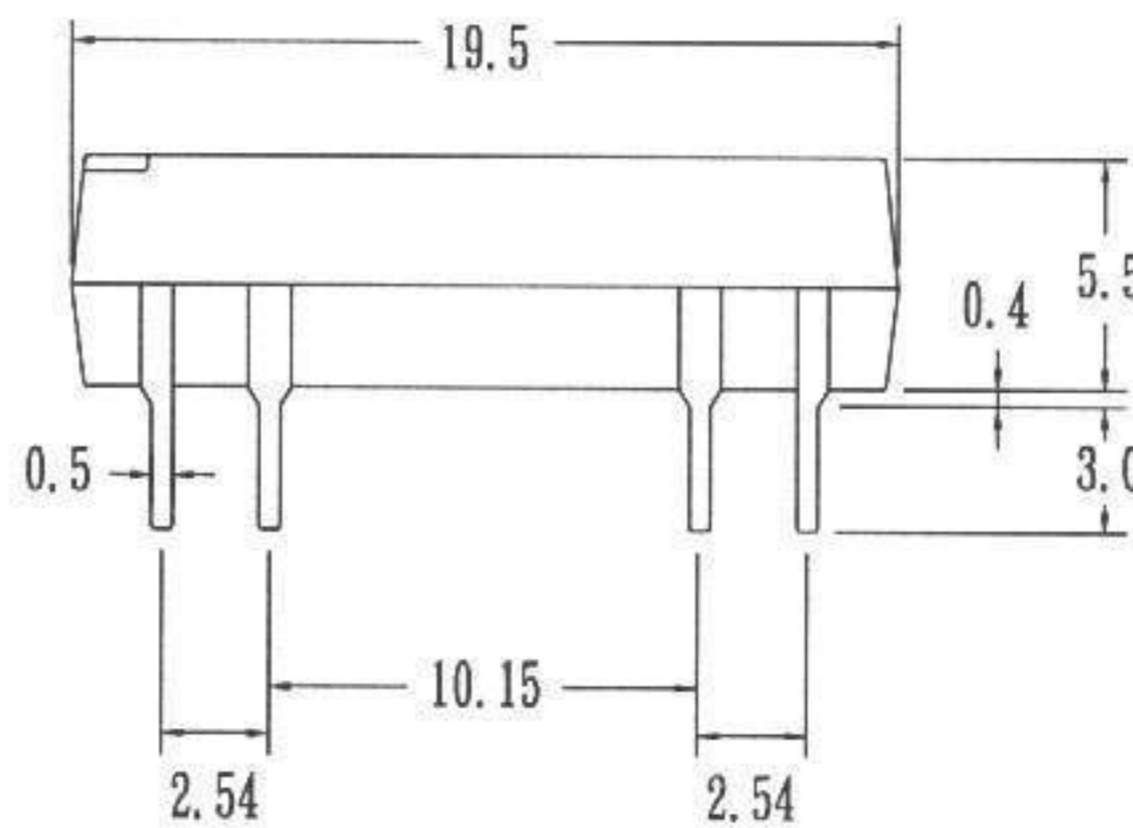
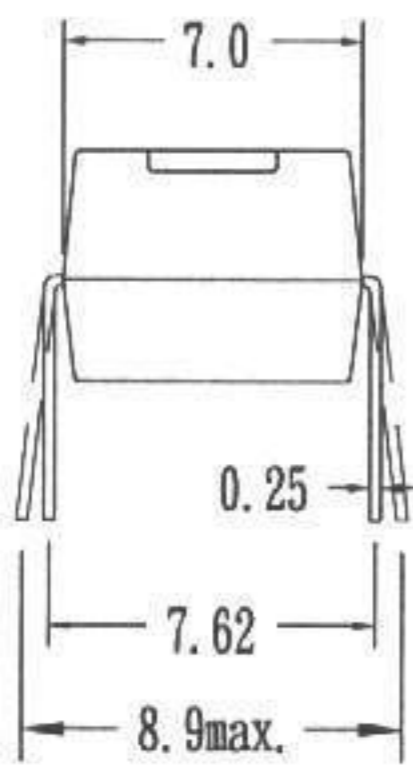


# PRODUCT SPECIFICATION

DATE: 03/26/00'

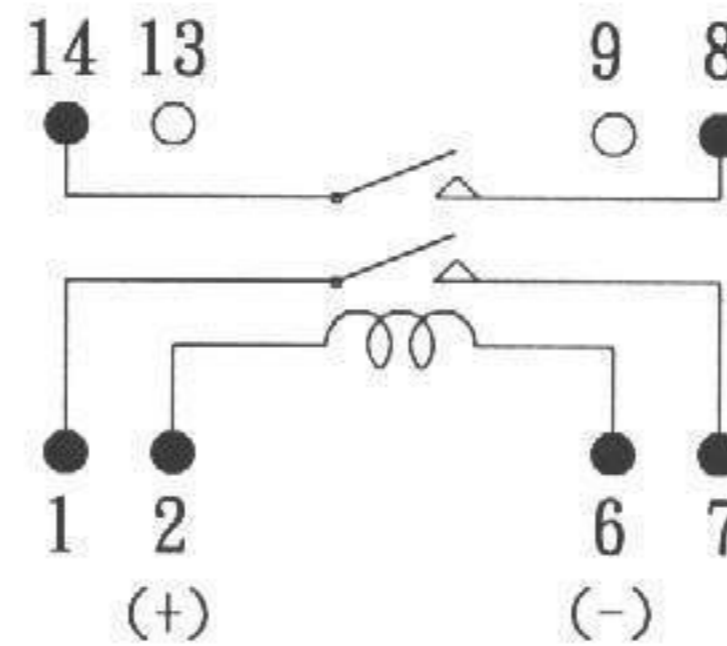
<b>COSMO</b> ELECTRONICS CORPORATION	REED RELAY: <b>D2A050000</b>	NO. 50R01013	REV.
		SHEET 1 OF 2	2

## 1. OUTSIDE DIMENSION : UNIT ( mm )



TOLERANCE :  $\pm 0.1\text{mm}$

## 2. SCHEMATIC : TOP VIEW



ISSUE

Dean. Yu.  
03-28-00

CHECK

Alan Lai 03-29-00

APPROVED

Stan Hsu 4-1-00

# PRODUCT SPECIFICATION

DATE: 03/26/00'


<b>COSMO</b> ELECTRONICS CORPORATION	REED RELAY: <b>D2A050000</b>	NO. 50R01013	REV. 2
		SHEET 2 OF 2	

### 3.0 COIL RATINGS: (AT 20°C)

3.1 Coil resistance	140	Ω	(±10%)
3.2 Nominal coil current	5	VDC	
3.3 Maximum Continuous voltage	10	VDC	
3.4 Must operate	3.75	VDC	
3.5 Must release	1.0	VDC	
3.6 Rated current	35.7	mA	

### 4.0 ELECTRICAL CHARACTERISTICS:

4.1 Contact resistance	100	mΩ	(max)
4.2 Operate time	0.5	ms	(max)
4.3 Bounce time	0.5	ms	(max)
4.4 Release time	0.2	ms	(max)
4.5 Insulation resistance (100 VDC open contact)	10 <sup>11</sup>	Ω	(min)
4.6 Power	10	VA	(max)
4.7 Switching voltage	200	VDC	(max)
4.8 Switching current	0.5	A	(max)
4.9 Carry current	1.0	A	(max)
4.10 Breakdown voltage (across open contact)	250	VDC	(min)
(between coil & contact)	500	VDC	(min)
4.11 Life expectancy (signal level)	10 <sup>8</sup>		
4.12 Operating temp	-40 to 85	°C	
4.13 Storage temp	-50 to 125	°C	
4.14 Resonant frequency	3.5	KHZ	
4.15 Vibration (10-2000HZ)	20	g	(max)
4.16 Minimum permissible load	100	mVDC	10uA

ISSUE <i>Dean. Yu.</i> <i>03-28-00</i>	CHECK <i>Alan Liu 03-29-00</i>	APPROVED 
--	-----------------------------------	---