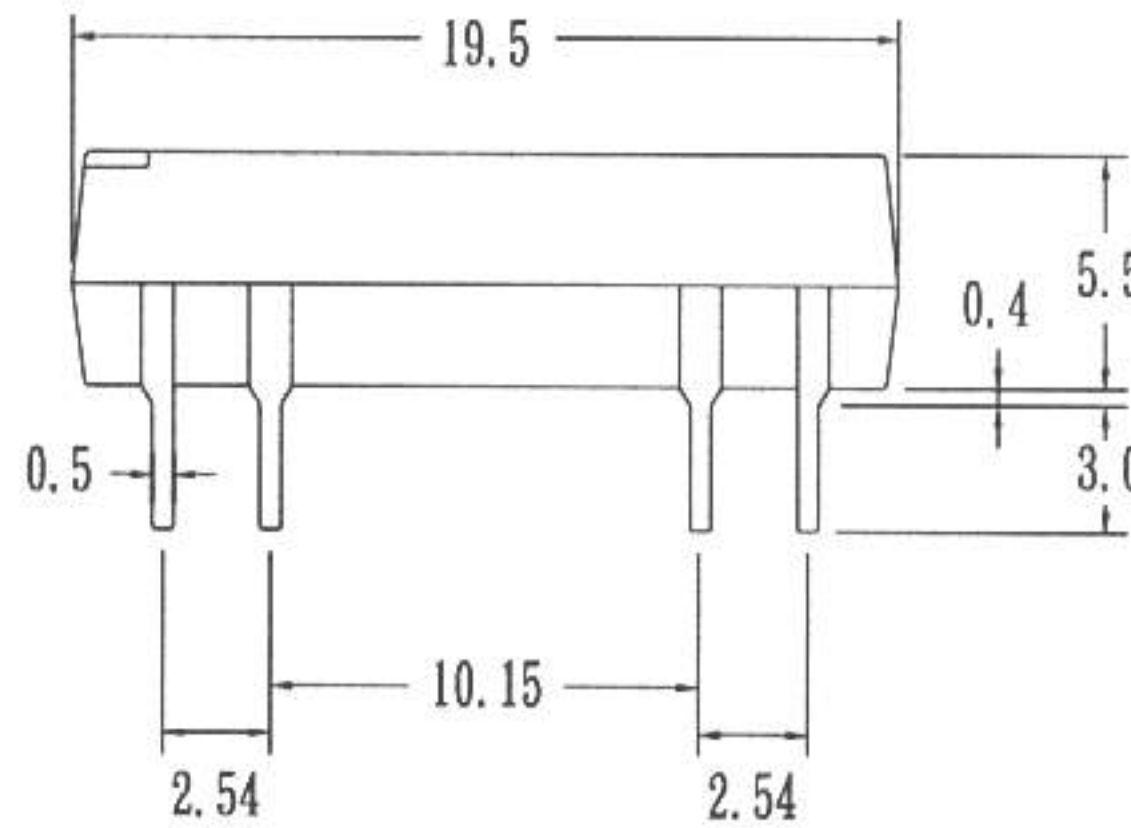
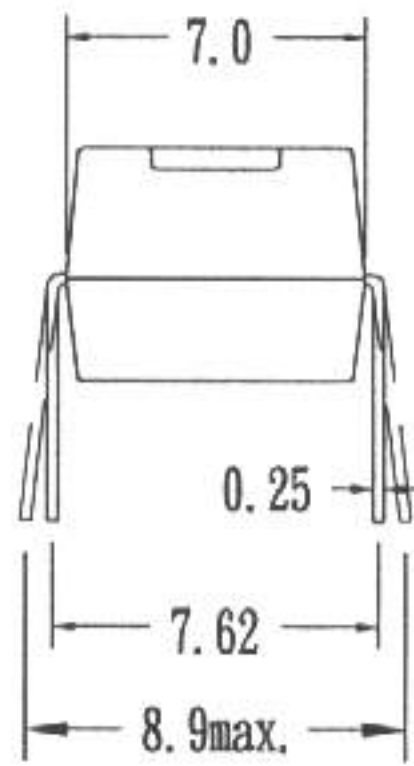


# PRODUCT SPECIFICATION

DATE: 03/26/00'

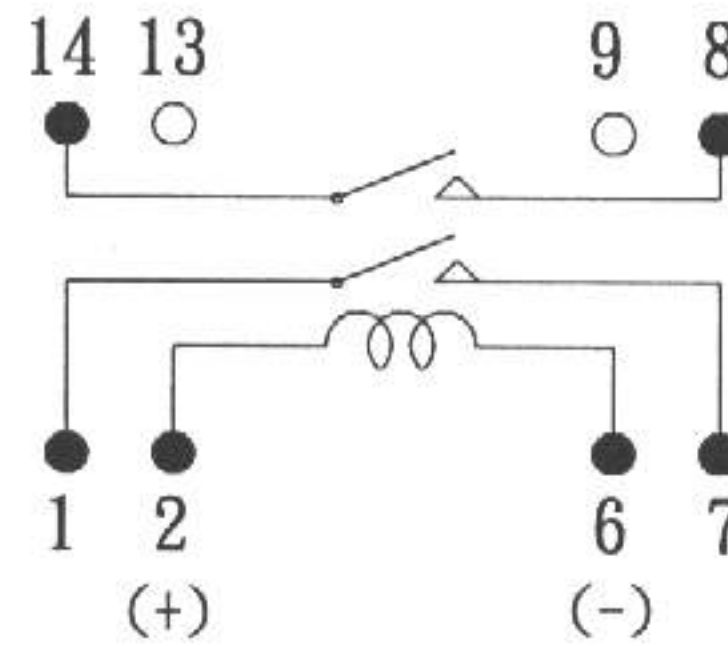
<b>COSMO</b> ELECTRONICS CORPORATION	REED RELAY: <b>D2A240000</b>	NO. 50R01015	REV.
		SHEET 1 OF 2	2

## 1. OUTSIDE DIMENSION : UNIT ( mm )



TOLERANCE :  $\pm 0.1\text{mm}$

## 2. SCHEMATIC : TOP VIEW



ISSUE

Dean. Yu.  
03-28-00

CHECK

Alan Lui 03-29-00

APPROVED

*Stan Hsu 4-1-00*

# PRODUCT SPECIFICATION

DATE: 03/26/00'

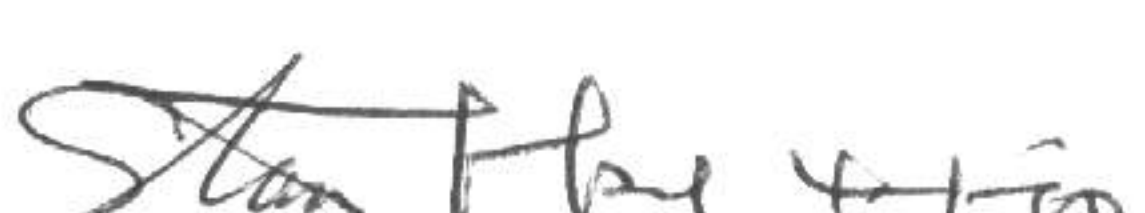
<b>COSMO</b> ELECTRONICS CORPORATION	REED RELAY: <b>D2A240000</b>	NO. 50R01015	REV. 2
		SHEET 2 OF 2	

3.0 COIL RATINGS: (AT 20°C)

3.1 Coil resistance	2150	$\Omega$	( $\pm 10\%$ )
3.2 Nominal coil current	24	VDC	
3.3 Maximun Continuous voltage	28	VDC	
3.4 Must operate	18	VDC	
3.5 Must release	2.4	VDC	
3.6 Rated current	11.1	mA	

4.0 ELECTRONICAL CHARACTERISTICS:

4.1 Contact resistance	100	m $\Omega$	(max)
4.2 Operate time	0.5	ms	(max)
4.3 Bounce time	0.5	ms	(max)
4.4 Release time	0.2	ms	(max)
4.5 Insulation resistance (100 VDC open contact)	10 <sup>11</sup>	$\Omega$	(min)
4.6 Power	10	VA	(max)
4.7 Switching voltage	200	VDC	(max)
4.8 Switching current	0.5	A	(max)
4.9 Carry current	1.0	A	(max)
4.10 Breakdown voltage (across open contact)	250	VDC	(min)
(between coil & contact)	500	VDC	(min)
4.11 Life expectancy (signal level)	10 <sup>8</sup>		
4.12 Operating temp	-40 to 85	$^{\circ}\text{C}$	
4.13 Storage temp	-50 to 125	$^{\circ}\text{C}$	
4.14 Resonant frequency	3.5	KHZ	
4.15 Vibration (10-2000HZ)	20	g	(max)
4.16 Minimum permissible load	100	mVDC	10uA

ISSUE Dean. Yu. 03-28-00	CHECK Alan Lee 03-29-00	APPROVED 
--------------------------------	----------------------------	---