

# SSR

## 120/240V 40A (RMS)

### Non-Zero crossing Models

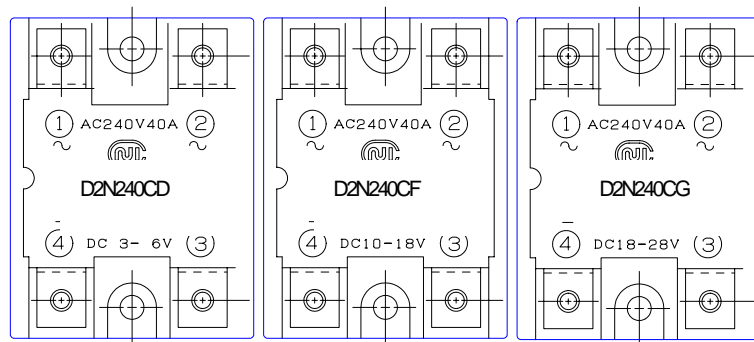
**D2N140CD D2N240CD**  
**D2N140CF D2N240CF**  
**D2N140CG D2N240CG**

#### Futures

- \* Large capacity(40Arms) in spite of the standard package.
- \* Low Noise Switching and Rush Current

#### Function

- \* Single Pole, Single Throw Normally Open



#### Characteristics and Ratings

Parameter	Symbol	Characteristics / Ratings						Unit
		D2N140CD	D2N140CF	D2N140CG	D2N240CD	D2N240CF	D2N240CG	

#### Output

Rated Voltage	$V_{(RMS)}$	120			240			V
A.C. Line Voltage Range	$V_{(RMS)}$	60 to 140			60 to 280			V
Operating Frequency	f	47 to 63						HZ
Maximum Load Current	$I_{(RMS)}$	40						A
Non-repetitive One Cycle Surge Current	$I_{TSM}$	400						A
Minimum Operating Current	$I_{op(RMS)}$	120						mA
Maximum off-state Leakage Current	$I_{leak(RMS)}$	2.0 (@120Vrms)			4.0 (@240Vrms)			mA
Maximum on-sate Voltage Drop	$V_{T(RMS)}$	1.6						V
Response Time	$T_{(tps)}$	1/2 Cycle + 1mS						-

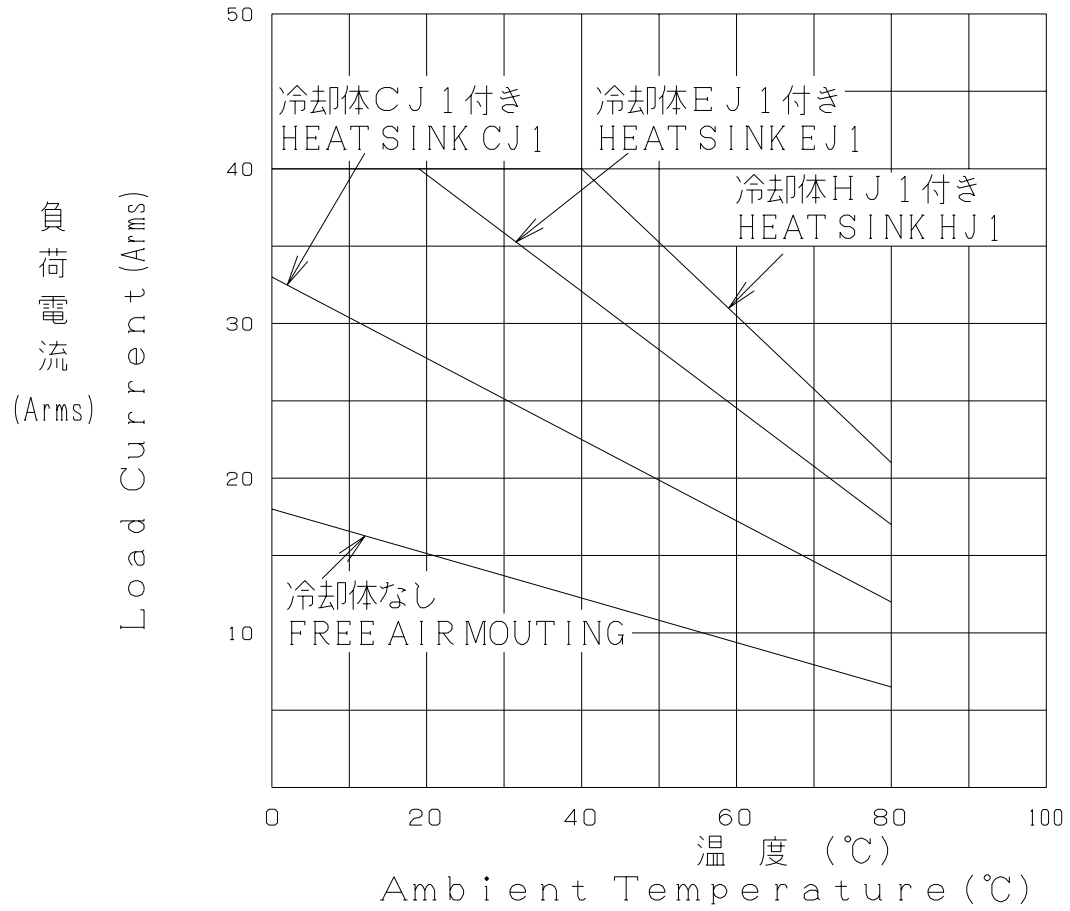
#### Input

Control Signal Voltage Range	$I_{N(DC)}$	3 to 6	10 to 18	18 to 28	3 to 6	10 to 18	18 to 28	V
Input Impedance	$R_{(IN)}$	260	860	1360	260	860	1360	ohm
Pick-up Voltage	PUV	3.0	10.0	18.0	3.0	10.0	18.0	V
Drop-out Voltage	DOV	1.0						V

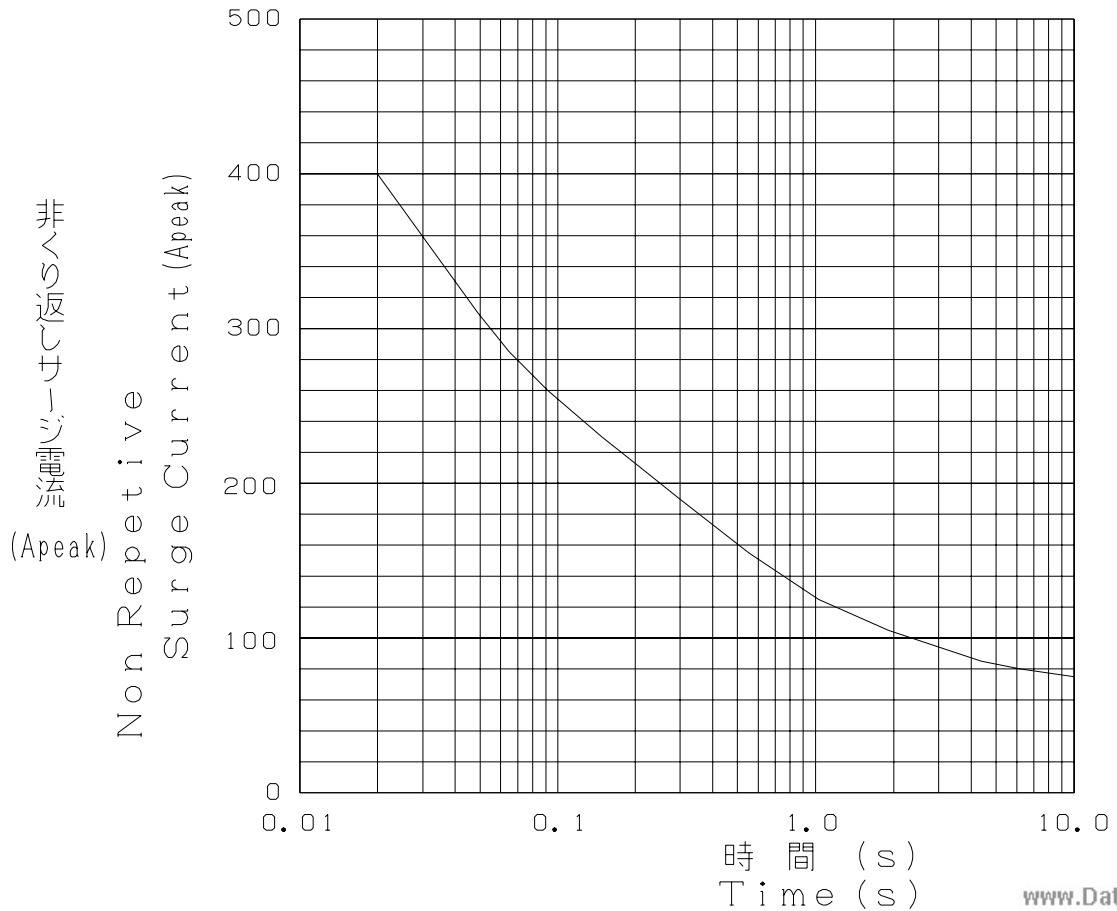
#### Input/Output

AC Isolation Voltage (Between Input , Output Terminals and Base)	$V_{iso(RMS)}$	1500						V
Capacitance (Between input and output)	$C_{(io)}$	100						pF
Operating Temperature Range	$T_{op}$	-20 to +80						°C
Storage Temperature Range	$T_{stg}$	-25 to +85						°C

負荷低減曲線  
Use of Thermal Curves

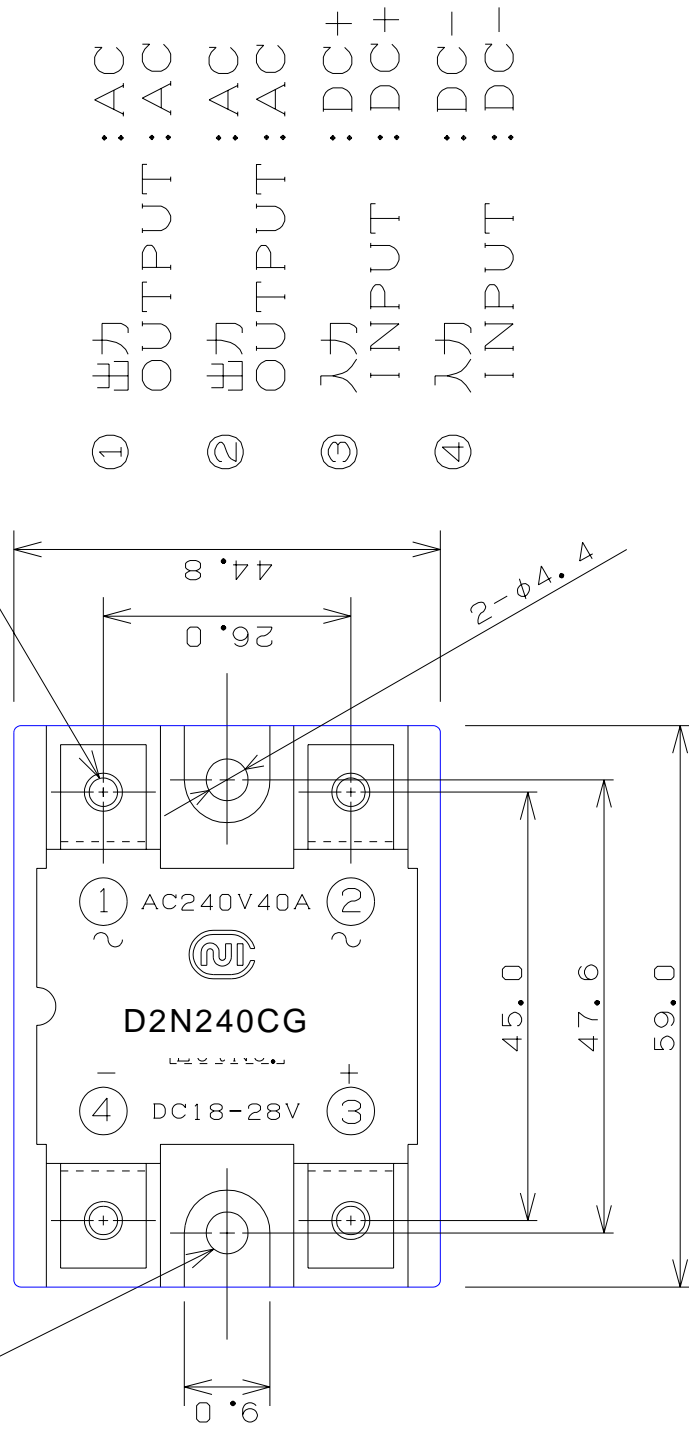


サージ電流耐量曲線  
Surge Current vs Duration

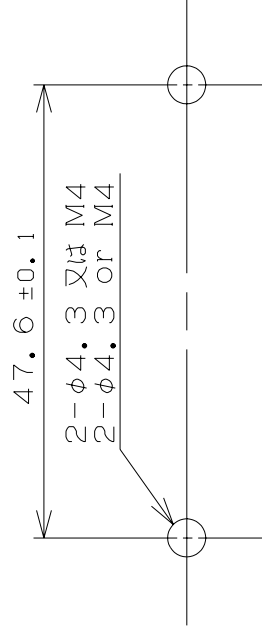
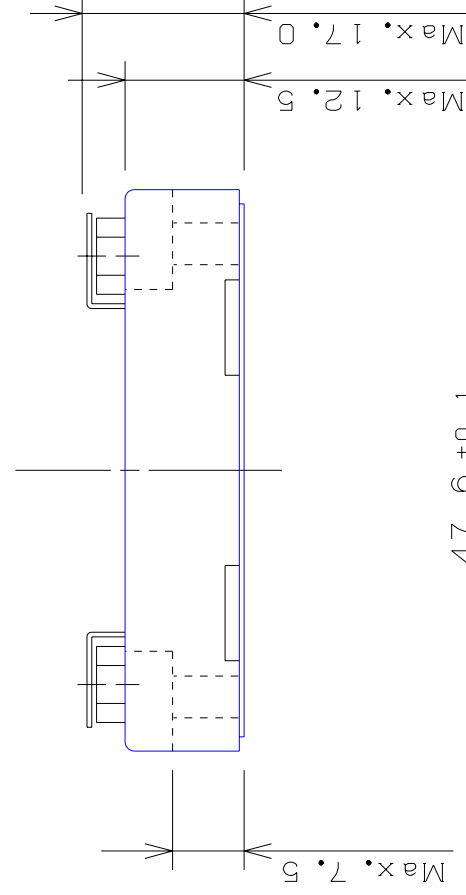


取り付けネジ用穴  
MOUNTING HOLE

4-M4 ネジ端子  
4-M4 TERMINAL



- ① 出力 : AC  
OUTPUT : AC
- ② 出力 : AC  
OUTPUT : AC
- ③ 入力 : DC+  
INPUT : DC+
- ④ 入力 : DC-  
INPUT : DC-



取り付け穴加工図  
MOUNTING DIMENSION

端子ネジ M4×8 4 pcs / 1袋 添付  
taced. TERMINAL SCREW M4×8; 4 pcs / 1 PACKAGE

定公差は、±0.5とする  
TOLERANCESS (UNLESS, OTHERWISE. NOTE) : ±0.5