

Dupline® Field- and Installationbus Accessories Mounting Material



Socket type D 411

11- pole socket for devices with spade plug (4.8 x 0.5 mm).

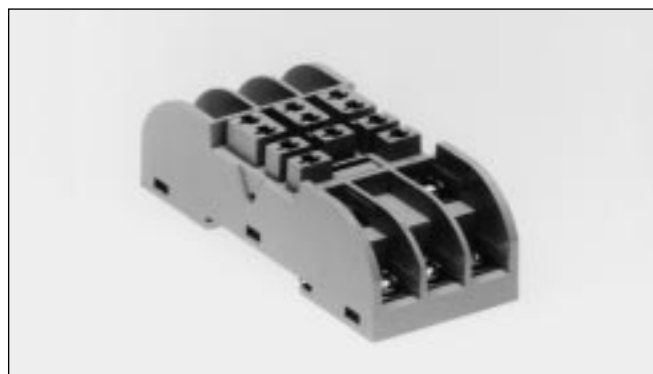
Rating
Isolation group
Material
Colour
Screw terminals
Contact spring
Retaining spring
Mounting holes
DIN-rail mounting
Approvals

10 A/250 VAC (IEC 60664)
C 380 VAC (VDE 0110)
Noryl SE 1
Grey
11 pcs. M4 screws
Tin-plated brass
Stainless steel
2 x \varnothing 3.0
EN 50022
UL, CSA

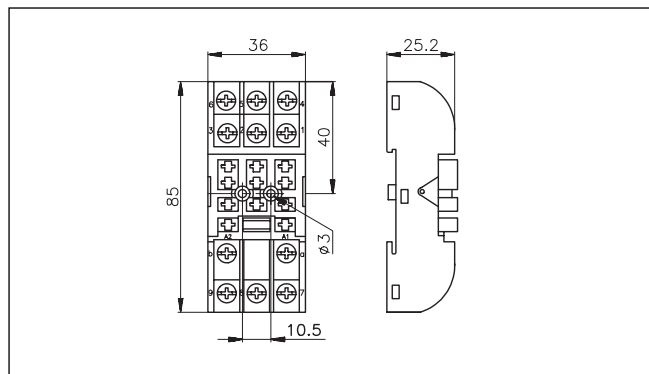
Accessories for socket type D 411

Text markers
Socket cover
Hold down spring
DIN-rail

e.g. Weidmüller type SG10
BB 5
HF
FMD 411



D 411



Dimensions in [mm]

Socket cover type BB 5

Cover for socket type D 411 for covering the front screw connections of the socket. The holes (\varnothing 5 mm) on top of

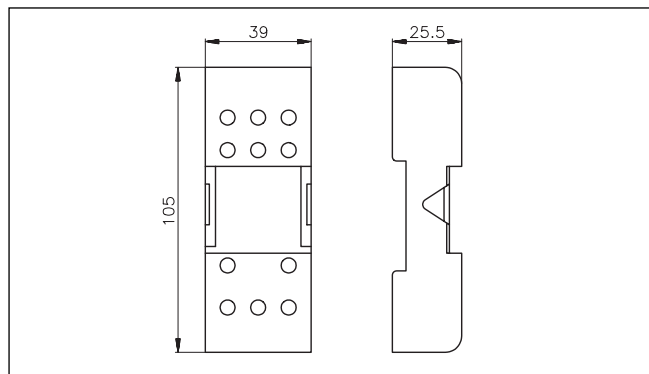
the terminals prevent from accidental touching, but allow measurements without removing the socket cover.

Material
Colour

Noryl SE1
Grey



BB 5



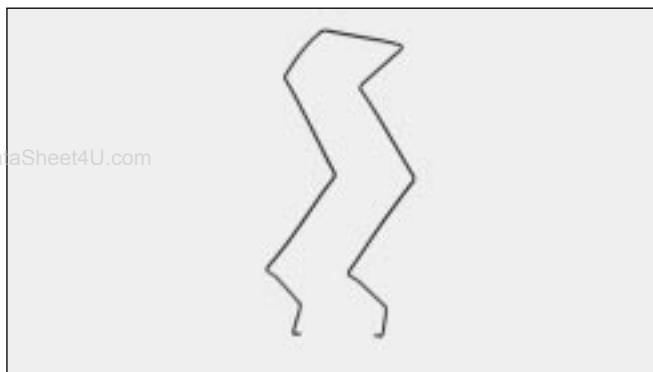
Dimensions in [mm]

Mounting Material (cont.)

Hold down spring type HF to be used with socket type D 411 for additional fixing of the D-housing in places with vibrations.

Material

Stainless steel



HF



HF mounted on module

DIN-rail type FMD 411

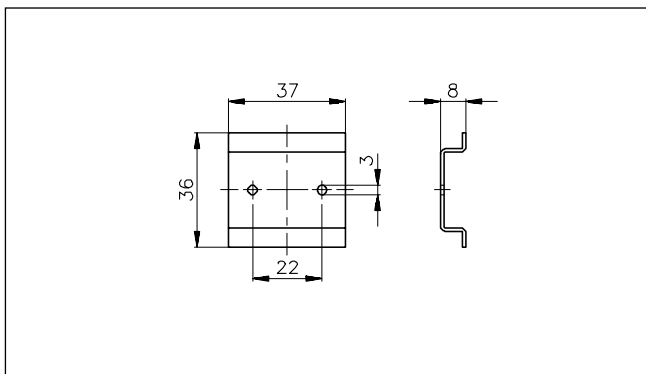
Mounting rail for socket type D 411 or H4 housing type Dupline modules, which are snapped on FMD 411.

Type
Mounting holes
Material

EN 50022
2 x Ø3.0
Electroplated steel



FMD 411



Dimensions in [mm]

Front mounting bezel FRS 2

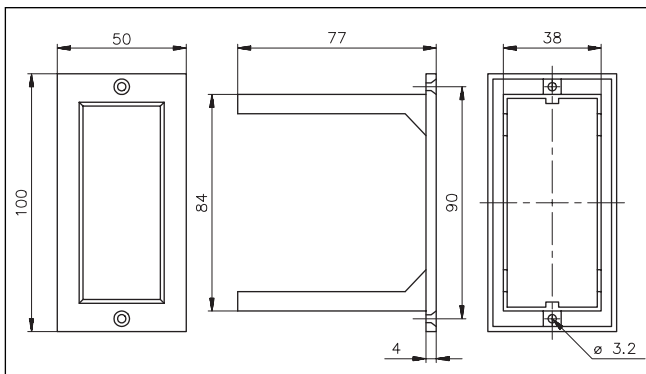
For front panel mounting of D-housing Dupline modules. Front mounting cover and D-housing snap together.

Material
Colour
Panel cutout

Glass-reinforced Noryl SE1
Grey
84.5 x 38.5 mm



FRS 2



Dimensions in [mm]