

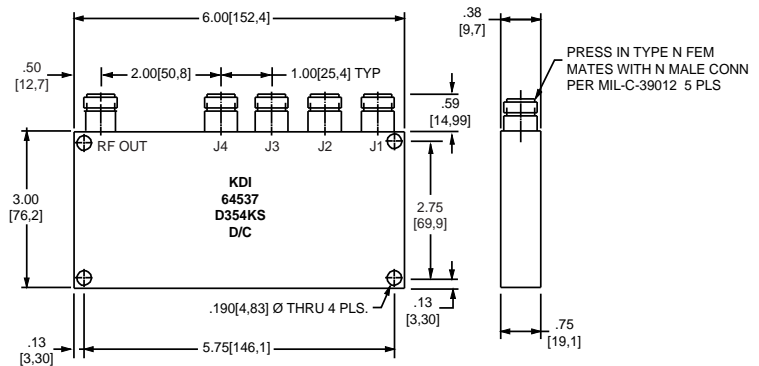


4 WAY

# DIVIDER/COMBINERS, POWER

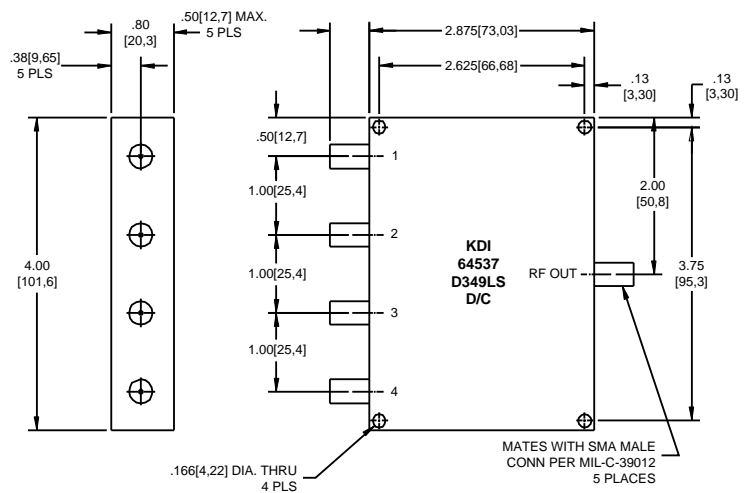
## ELECTRICAL SPECIFICATIONS

<b>Model:</b>	<b>D354KS</b>
<b>Connectors:</b>	Type N
<b>Frequency Range:</b>	860-900 MHz
<b>VSWR:</b>	1.30:1 Maximum
<b>Isolation:</b>	20 dB Minimum
<b>Insertion Loss:</b>	6.5 dB Maximum
<b>RF Power:</b>	50mW Maximum into each port
<b>Amplitude Balance:</b>	±0.3 dB Maximum
<b>Phase Balance:</b>	±3.0° Maximum
<b>Operating Temperature:</b>	-30° C to +70° C



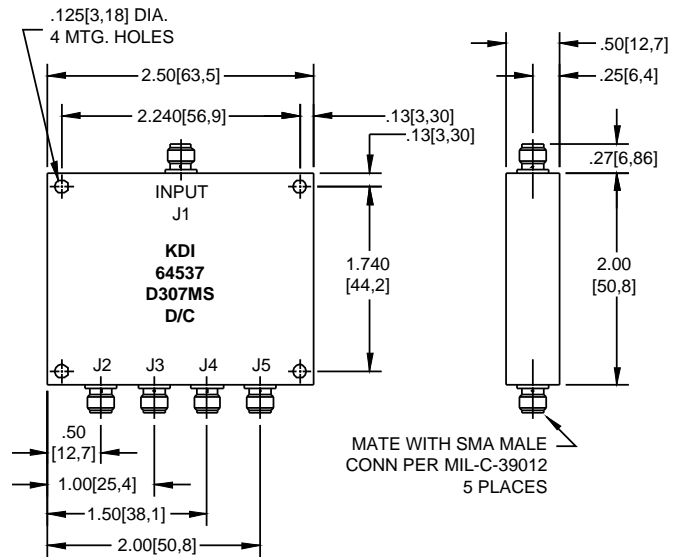
## ELECTRICAL SPECIFICATIONS

<b>Model:</b>	<b>D349LS</b>
<b>Connectors:</b>	SMA
<b>Frequency Range:</b>	800-900 MHz
<b>VSWR:</b>	1.3:1 Maximum
<b>Isolation:</b>	20 dB Minimum
<b>Insertion Loss:</b>	0.5 dB Maximum
<b>RF Power:</b>	50mW Maximum into each port
<b>Amplitude Balance:</b>	±1 dB Maximum
<b>Phase Balance:</b>	±2.0° Maximum
<b>Operating Temperature:</b>	-30° C to +70° C



## ELECTRICAL SPECIFICATIONS

<b>Model:</b>	<b>D307MS</b>
<b>Connectors:</b>	SMA
<b>Frequency Range:</b>	824-925 MHz
<b>VSWR:</b>	1.2:1 Maximum
<b>Isolation:</b>	20 dB Minimum
<b>Insertion Loss:</b>	6.3 dB Maximum (inc. div. loss)
<b>Amplitude Balance:</b>	±0.1 dB Maximum
<b>Phase Balance:</b>	±2° Maximum
<b>RF Power:</b>	4.0 Watts CW Total @ Input
<b>Operating Temperature:</b>	-30° C to +70° C



KE Y Inches[Millimeters] .XX ±.03 .XXX ±.010 [.X ±0.8 .XX ±0.25]



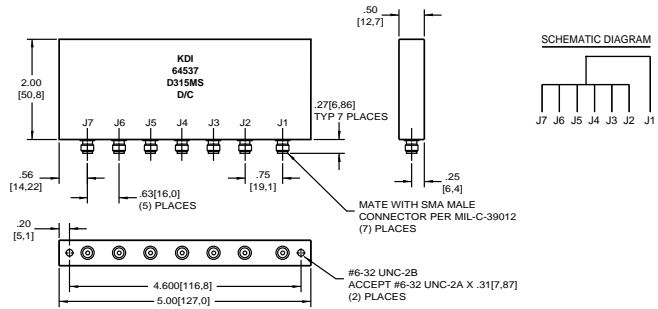
60 South Jefferson Road, Whippany, NJ 07981  
 Tel: 973-887-8100 • Fax: 973-884-0445  
 E-Mail: kdisales@aol.com  
 See us on the web @ www.kditriangle.com



# 6 WAY DIVIDERS/COMBINERS, POWER

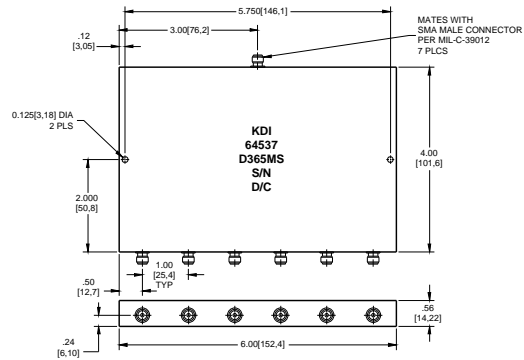
## ELECTRICAL SPECIFICATIONS

Model:	D315MS
Connectors:	SMA
Frequency Range:	800-900 MHz
VSWR:	1.3:1 Maximum
Isolation:	24 dB Minimum
Insertion Loss:	15.5 dB $\pm$ 0.25 dB
RF Power:	30 dBm Maximum @ (J1) Port
Amplitude Balance:	$\pm$ 0.5 dB Maximum
Phase Balance:	$\pm$ 3° Maximum
Operating Temperature:	-30° to +70°C



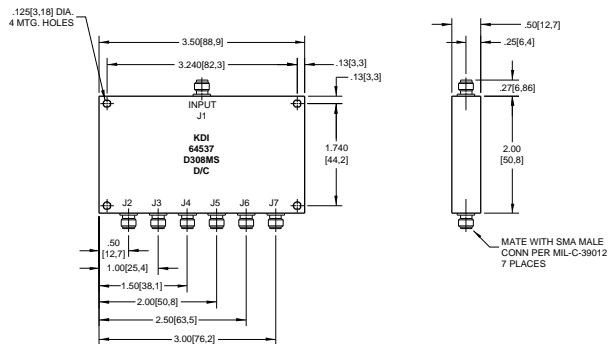
## ELECTRICAL SPECIFICATIONS

Model:	D365MS
Connectors:	SMA
Frequency Range:	400-2000 MHz
Insertion Loss above 7.8 dB:	1.5 dB
Isolation:	14 dB Minimum
VSWR:	1.35:1 Maximum
RF Power:	1 Watt Maximum @ Input Port 100 milliwatts Maximum/Port as a Combiner
Amplitude Balance:	$\pm$ 0.7 dB Maximum
Phase Balance:	$\pm$ 5° Maximum
Operating Temperature:	-30° to +70°C



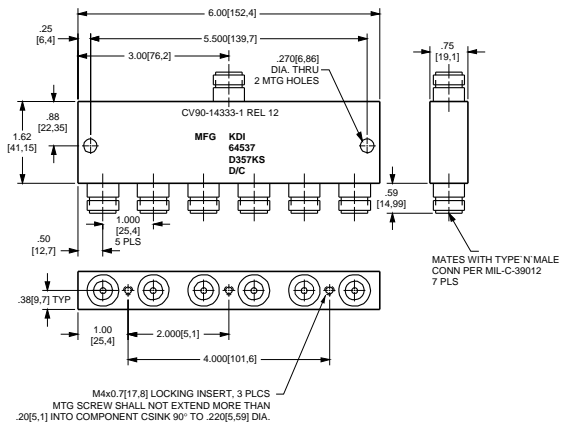
## ELECTRICAL SPECIFICATIONS

Model:	D308MS
Connectors:	SMA
Frequency Range:	824-925 MHz
VSWR:	1.2:1 Maximum
Isolation:	20 dB Minimum
Insertion Loss:	8.2 dB Maximum (incl. div. loss)
RF Power:	4.0 Watts CW Total @ input
Amplitude Balance:	$\pm$ 0.5 dB Maximum
Phase Balance:	$\pm$ 3° Maximum
Operating Temperature:	-30° to +70°C



## ELECTRICAL SPECIFICATIONS

Model:	D357KS
Connectors:	Type N
Frequency Range:	800-960 MHz
VSWR:	1.35:1 Maximum all ports
Isolation:	20.0 dB Minimum
Insertion Loss:	9.0 dB Maximum (incl. divide loss)
RF Power:	5 W Maximum
Amplitude Balance:	$\pm$ 0.5 dB Maximum
Phase Balance:	$\pm$ 3° Maximum
Operating Temperature:	-30° to +70°C



KEY: Inches[Millimeters] .XX  $\pm$  .03 .XXX  $\pm$  .010 [.X  $\pm$  0.8 .XX  $\pm$  0.25]



60 South Jefferson Road, Whippany, NJ 07981  
Tel: 973-887-8100 • Fax: 973-884-0445  
E-Mail: kdisales@aol.com  
See us on the web @ www.kditriangle.com

6 WAY

# DIVIDERS/COMBINERS, POWER

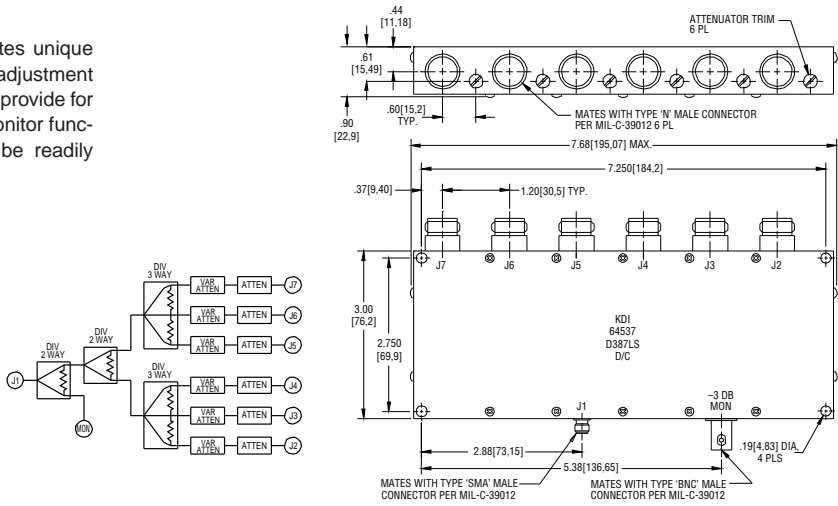
## SUBASSEMBLY—WITH VARIABLE ATTENUATORS

### GENERAL INFORMATION

The Model D387LS power divider subassembly incorporates unique level set adjustable attenuators, each with a minimum adjustment range of 0-12dB. Resistor isolated Wilkinson power dividers provide for high isolation between signal paths, and include a power monitor function. The stripline construction provided throughout can be readily modified for other custom applications.

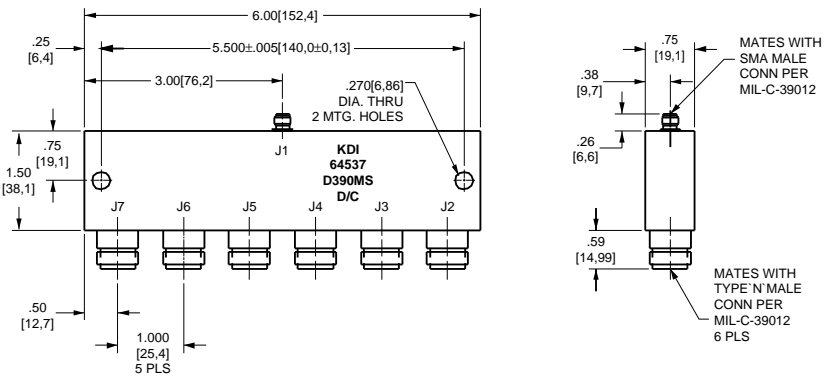
### ELECTRICAL SPECIFICATIONS

<b>Model:</b>	<b>D387LS</b>
<b>Connectors:</b>	Type N Output SMA Input BNC Monitor Port
<b>Frequency Range:</b>	0.865 – 0.900 GHz
<b>Insertion Loss:</b>	14.5 ±0.5 dB at 0 dB Trim 3.0 +5 –0 dB
<b>Attenuator Trim:</b>	0 to 12 dB Minimum (Screwdriver)
<b>RF Power:</b>	+17 dBm
<b>Isolation:</b>	20 dB Minimum at 0 dB Trim
<b>VSWR (All Ports):</b>	1.60:1 Maximum
<b>Operating Temperature:</b>	-30° to +70°C.



### ELECTRICAL SPECIFICATIONS

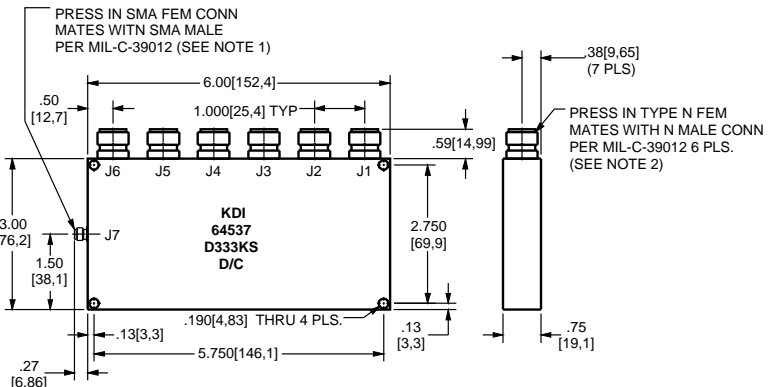
<b>Model:</b>	<b>D390MS</b>
<b>Connectors:</b>	SMA/N
<b>Frequency Range:</b>	824-894 MHz
<b>VSWR:</b>	1.2:1 Maximum
<b>Isolation:</b>	20.0 dB Minimum
<b>Insertion Loss:</b>	8.5 dB Maximum (Includes divide loss)
<b>RF Power:</b>	500 milliwatts Maximum @ Combined Port
<b>Amplitude Balance:</b>	±0.2 dB Maximum
<b>Phase Balance:</b>	±0.2 Maximum
<b>Operating Temperature:</b>	-30° to +70°C.



### ELECTRICAL SPECIFICATIONS

<b>Model:</b>	<b>D333KS</b>
<b>Frequency:</b>	.860-.900 GHz
<b>VSWR:</b>	1.35:1 Maximum
<b>Isolation:</b>	>27 dB J5-J6 (J1, J2, J3, J4 & J7 Open) 20 dB Minimum all other
<b>Insertion Loss:</b>	12.0 ± .4 dB (J7-J1, J7-J2)
<b>Coupling:</b>	10.0 ± .5 dB (J5-J1)
<b>Path Loss:</b>	4.5 dB Maximum (4.1 dB Typical) (J7-J6)
<b>RF Power:</b>	50mW Maximum each input
<b>Operating Temperature:</b>	-30° to +70°C.

Port Designations above indicate (RF OUT — RF IN)



**Notes:**

1. Connector SMA: Passivated Stainless Steel ASTM-A-582 (QQ-S-764) Body with Gold Plated (MIL-G-45204 Type II, Class I, Grade C)
2. Connector N: Nickel Plated (QQ-N-290) over CU. Strike (MIL-C-14550) over Brass Body 1/2 HD Comp 22 (QQ-B-626)
3. HSG: Chem Film (MIL-C-5541) Class 1A over Aluminum 6061-T6 per (QQ-A-250)

KEY: Inches[Millimeters] .XX ±.03 .XXX ±.010 [.X ±0.8 .XX ±0.25]



60 South Jefferson Road, Whippany, NJ 07981  
 Tel: 973-887-8100 • Fax: 973-884-0445  
 E-Mail: kdisales@aol.com  
 See us on the web @ www.kditriangle.com