



2SD525

NPN EPITAXIAL SILICON TRANSISTOR

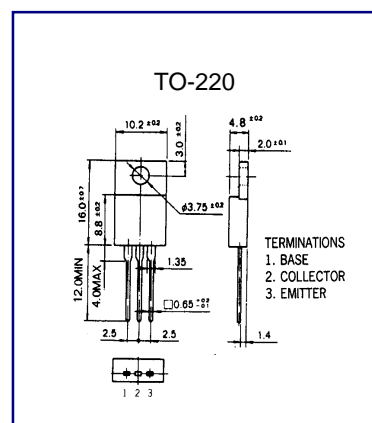
LOW FREQUENCY POWER AMPLIFIER

www.DataSheet4U.com

- Complement to 2SB595

ABSOLUTE MAXIMUM RATINGS (T_A=25°C)

Characteristic	Symbol	Rating	Unit
Collector-Base Voltage	V _{CB0}	100	V
Collector-Emitter Voltage	V _{CE0}	100	V
Emitter-Base voltage	V _{EB0}	5	V
Collector Current (DC)	I _C	5	A
Collector Dissipation (T _c =25°C)	P _C	40	W
Junction Temperature	T _j	150	°C
Storage Temperature	T _{stg}	-50~150	°C



ELECTRICAL CHARACTERISTICS (T_A=25°C)

Characteristic	Symbol	Test Condition	Min	Typ	Max	Unit
Collector Cutoff Current	I _{CBO}	V _{CB} = 100V , I _E =0			10	μA
Emitter Cutoff Current	I _{EB0}	V _{EB} = 5V , I _C =0			10	μA
DC Current Gain	h _{FE1}	V _{CE} = 5V , I _C =1A	40		320	
Collector- Emitter Saturation Voltage	V _{CE(sat)}	I _C =4A , I _B =0.4A			2.0	V
Current Gain Bandwidth Product	f _T	V _{CE} = 5V , I _C =0.5A		8		MHZ