



MOS INTEGRATED CIRCUIT

μ PD6450

12 LINE \times 24 COLUMN ON-SCREEN CHARACTER DISPLAY
CMOS LSI FOR VTR

DESCRIPTION

The μ PD6450 is on-screen character display CMOS LSI which is combined with microcomputers and used for VTR and video disks to display program reserved information, chapter numbers, etc. on monitor screens.

Character format is 12 \times 18 dots, and one character enables displaying numbers kanji and hiragana. Since this LSI has built-in video switches, video signals can be input and output by composite video signals, and video signals can be generated internally so that characters can be displayed with no external signals.

NEC provides two standard types – μ PD6450CX-002 and μ PD6450GT-102.

Using same characters, μ PD6450CX-002 is 18-pin DIP and μ PD6450GT-102 is a 20-pin SOP package.

FEATURES

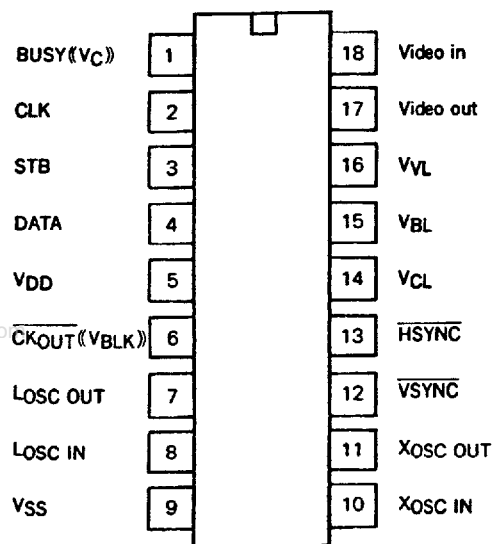
- Number of displayed character : 12 lines 24 columns
- Kinds of character : 128 (ROM)
- Character size : 1 dot – 1H, 2H, 3H, or 4H
- Dot matrix : 12 \times 18 dots – with no clearance between neighboring characters
- Blinking ratio : 1 : 1, 3 : 1, or 1 : 3
- Input/Output of image signal : Composite video signal
- Background : No background, black fringe, black square background, or black solid background
- Internal video signals : Characters can be displayed on internal simplified video signal (white, black, red, green or blue) by commands. Internal video signal is noninterlaced video signal.
- Mask pulse : Vertical direction for each row (This pulse is available with mask code option.)
- Character signal output : It is possible to output only character signal will mix with video signal. (This function is available with mask code option.)
- Interface with microcomputer : 8-bit serial input format with BUSY signal
- Power supply : +5 V single power supply
- Structure : Low-power-consumption CMOS

ORDERING INFORMATION

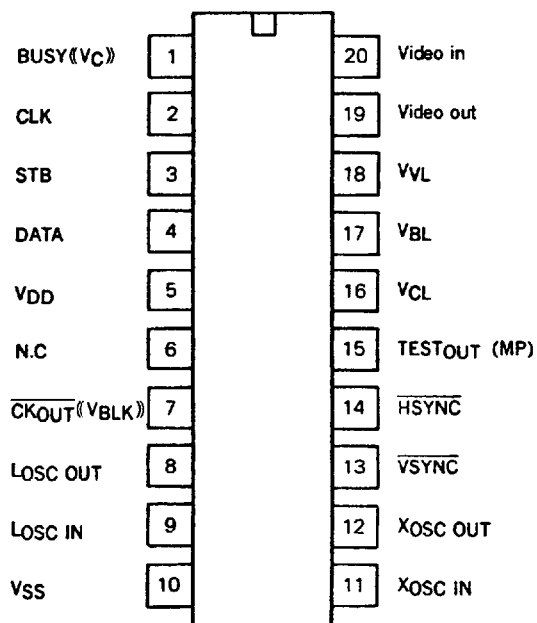
PART NUMBER	PACKAGE
μ PD6450CX-002	18-pin plastic DIP (300 mil)
μ PD6450GT-102	20-pin plastic SOP (375 mil)

CONNECTION DIAGRAM (Top View)

(1) μ PD6450CX-002



(2) μ PD6450GT-102



Note: This single bracket shows terminal arrangement for the mask code option when terminal 15 of μ PD6450GT-xxx is used for mask pulse. And this double bracket shows terminals arrangement for the mask code option when terminal 1 is used for character signal output, terminal 6 of μ PD6450CX-xxx and terminal 7 of μ PD6450GT-xxx are used for blanking signal output. It is possible to select 3 ways of mask code option with μ PD6450CX and 4 ways of mask code option with μ PD6450GT and select one way at the following table.

Mask Code Option Selection Table

	Combination of mask code option	Selection possibility	Note
μ PD6450CX	Non mask pulse function and BUSY signal output	○	The functions are similar to standard type. (terminal 1 : BUSY, terminal 6 : $\overline{\text{CKOUT}}$)
	Mask pulse function and BUSY signal output	X	—
	Non mask pulse function and BUSY signal output	○	All character signal and all blanking signal are outed at V_C (terminal 1) and V_{BLK} (terminal 6).
	Mask pulse function and BUSY signal output	○	Character signal and blanking signal of lines without mask pulse are outed at V_C (terminal 1) and V_{BLK} (terminal 6).
μ PD6450GT	Non mask pulse function and BUSY signal output	○	The functions are similar to standard type. (terminal 1 : BUSY, terminal 7 : $\overline{\text{CKOUT}}$, terminal 15 : TEST OUT)
	Mask pulse function and BUSY signal output	○	Mask pulse output : terminal 15 (terminal 1 : BUSY, terminal 7 : $\overline{\text{CKOUT}}$)
	Non mask pulse function and BUSY signal output	○	All character signal and all blanking signal are outed at V_C (terminal 1) and V_{BLK} (terminal 7, terminal 15 : TEST OUT)
	Mask pulse function and BUSY signal output	○	Character signal and blanking signal of line without mask pulse are outed at V_C (terminal 1) and V_{BLK} (terminal 7). (mask pulse output : terminal 15)

Note: As using mask pulse function at μ PD6450CX, this product doesn't have mask pulse output terminal. So in this case, please use mask pulse function and character signal output function at same time.

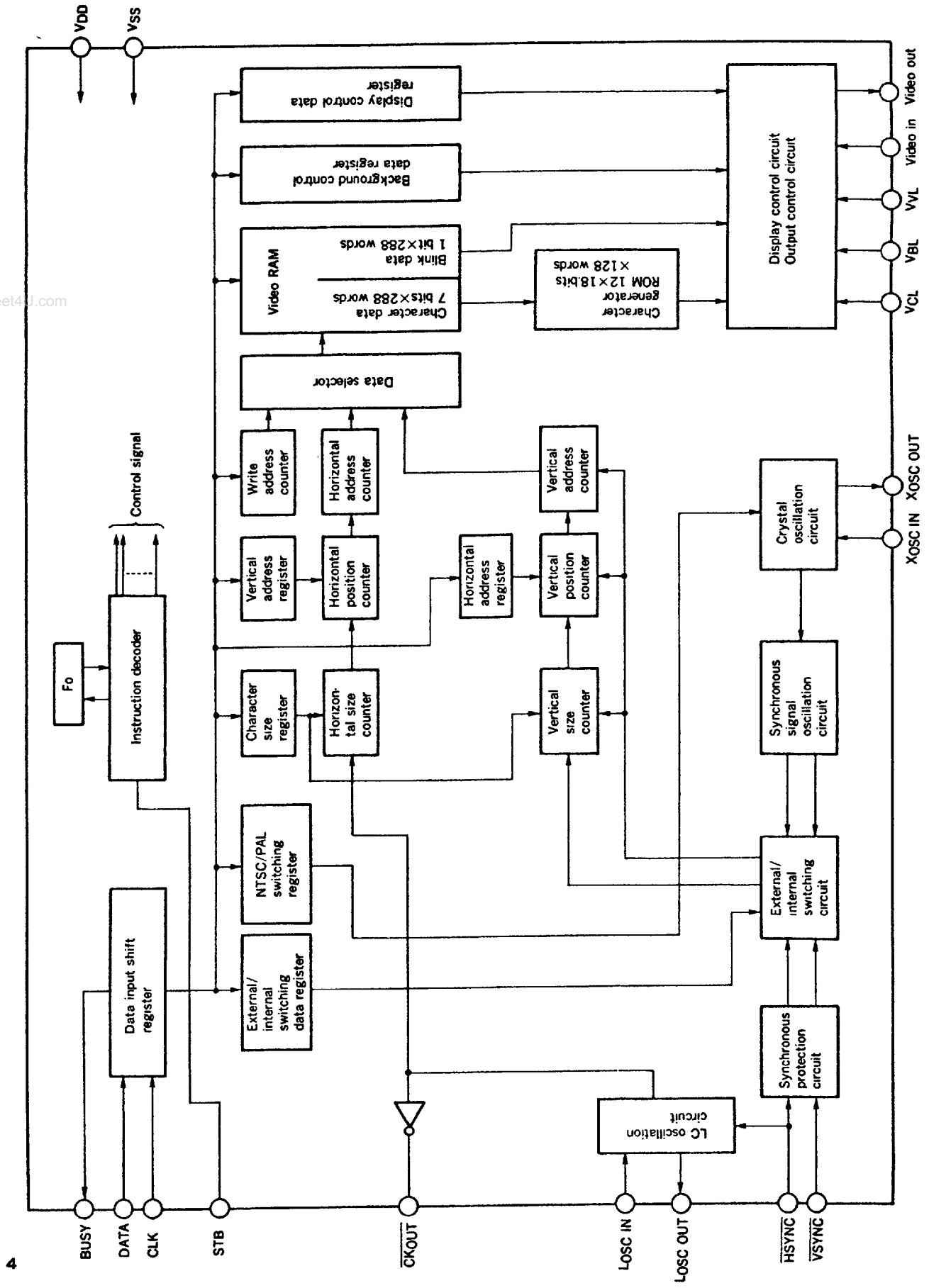
PIN DESCRIPTION

SYMBOL	PIN NAME	FUNCTION
VDD	Power Supply Terminal	Supplies power (+5 V)
VSS	Ground Terminal	Connected to system ground.
DATA	Serial Data Input Terminal	Input terminal for control data. Data is read synchronized with clock pulse at CLK terminal.
CLK	Clock Input Terminal	Input terminal for data reading clock. Data at data terminal is read at rising edge clock pulse.
STB	Strobe Input Terminal	Terminal for strobe input after serial data input. Eight-bit data is read at rising edge of pulse applied to STB terminal. If the eight-bit data is character data, the data address is incremented by 1 at the falling edge of pulse.
BUSY	BUSY Signal Output Terminal	This terminal tells the microcomputer whether or not STB input is ready. Input is feasible at low level.
V _C ^{Note 1)}	Character Signal Output Terminal	Output terminal for character signal of rows without mask pulse. Output is feasible at high level.
HSYNC	Horizontal Synchronization Signal Input Terminal	This is input terminal for horizontal synchronization signal. Oscillation occurs when HSYNC is at high level and oscillation synchronizes with the rising edge of HSYNC. Data is input at Active Low.
VSYNC	Vertical Synchronization Signal Input Terminal	Input terminal for vertical synchronization signal. Data should be input at Active Low.
L _{OS} C IN L _{OS} C OUT	LC Oscillation Terminal	Connection terminal for coil and capacitor of dot clock generating oscillator.
X _{OS} C IN X _{OS} C OUT	Crystal Oscillation Terminal	Crystal connecting terminal for Oscillator which generates internal synchronization signals.
V _{video in}	Video Signal Input Terminal	Input terminal for composite video signal. Data is to be input when the synchronization signal is negative and the image signal is positive.
V _{video out}	Video Signal Output Terminal	Output terminal for composite video signal mixing with character signal.
V _{CL}	Character Level Adjusting Terminal	Input terminal for adjusting character signal level (white level).
V _{BL}	Background Level Adjusting Terminal	Input terminal for adjusting background signal level (black level)
V _{VL}	Simplified Video Signal Level Adjusting Terminal	Input terminal for adjusting signal level of video signal (sync tip level) which is produced in internal mode.
CKOUT	Clock Out Terminal	Inverted OSC OUT terminal. This terminal is used for checking oscillation frequency. This terminal is a test input terminal as well, so it should be used after format reset.
V _{BLK} ^{Note 1)}	Blanking Signal Output Terminal	Output terminal for the blanking signal to cut the video signal of rows without mask pulse. Output is feasible at high level.
TESTOUT ^{Note 2)}	Test Out Terminal	Test out terminal. (This terminal is usually open.)

Note 1 : In case of selected character signal output function in mask code option.

Note 2 : This terminals can be covered to mask pulse output terminal in mask code option only for μPD6450GT. The μPD6450CX-002 and μPD6450GT-102 don't use a mask pulse and character signal output, and terminal 15 of μPD6450GT-102 is "TEST OUT." This terminal is usually open.

BLOCK DIAGRAM



4

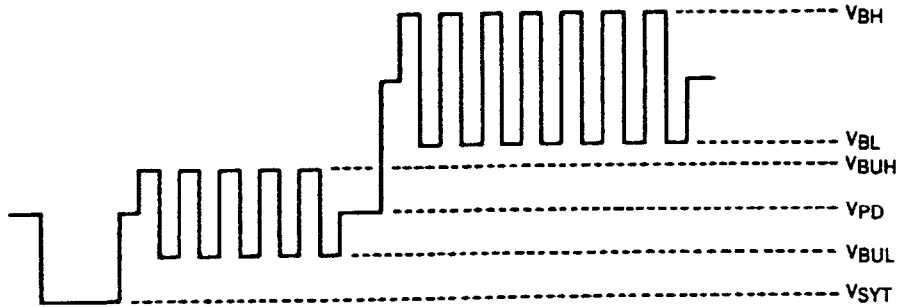
ABSOLUTE MAXIMUM RATINGS ($T_a = 25\text{ }^\circ\text{C}$)

Supply Voltage	$V_{DD}-V_{SS}$	7	V
Input Voltage	V_{IN}	$V_{DD} +0.3 > V_{IN} > V_{SS} -0.3$	V
Output Voltage	V_{OUT}	$V_{DD} +0.3 > V_{OUT} > V_{SS} -0.3$	V
Operation Temperature	T_{opt}	-20 to +75	$^\circ\text{C}$
Storage Temperature	T_{stg}	-40 to +125	$^\circ\text{C}$
Output Current	I_D	± 5	mA

RECOMMENDED OPERATION RANGE

CHARACTERISTIC	SYMBOL	MIN.	TYP.	MAX.	UNIT
Supply Voltage	$V_{DD}-V_{SS}$	4.5	5.0	5.5	V
LC Oscillation Frequency	f_{osc}	4	7	10	MHz
Control Input High-level Voltage	V_{IH}	2.4			V
Control Input Low-level Voltage	V_{IL}			0.8	V
Synchronization Signal Input High-level Voltage	V_{IH}	2.4			V
Synchronization Signal Input Low-level Voltage	V_{IL}			0.8	V
External Video Signal Input Voltage	V_i	0		V_{DD}	V
Character Signal Level Set Voltage	V_{CL}	0		V_{DD}	V
Background Signal Level Set Voltage	V_{BL}	0		V_{DD}	V
Internal Video Signal Level Set Voltage	V_{VL}	2.5		V_{DD}	V

INTERNAL SIMPLIFIED VIDEO SIGNAL



Type of Command

Control commands are eight-bit serial input types. Commands are executed by STB pulse input after serial input of eight-bit data. Before executing a program always issue a format reset command (format assignment command "FR = 1") to release the test mode.

COMMAND LIST FOR μ PD6450

CONTENT	F ₀	D ₇	D ₆	D ₅	D ₄	D ₃	D ₂	D ₁	D ₀
Display Character Data	0	0	C ₆	C ₅	C ₄	C ₃	C ₂	C ₁	C ₀
Blink Data for Each Character	0	1	0	0	0	Blink	0	0	0
Character Display Line Address	0	1	0	0	1	AR ₃	AR ₂	AR ₁	AR ₀
Character Display Column Address	0	1	0	1	AC ₄	AC ₃	AC ₂	AC ₁	AC ₀
Color Assignment for Background/ Internal Video Signal	0	1	1	0	BS ₄	BS ₃	R _V	G _V	B _V
Display ON/OFF, Blink, LC Oscillation Control	0	1	1	1	0	DO	BL ₂	BL ₁	LOSC
NTSC/PAL Switching, External/Internal Video Switching, Crystal Oscillation Control	0	1	1	1	1	0	N/P	Ex/In	XOSC
Format Assignment	X	1	1	1	1	1	1	F ₀	FR
Display Position Vertical Address	1	0	1	0	V ₄	V ₃	V ₂	V ₁	V ₀
Display Position Horizontal Address	1	1	1	0	H ₄	H ₃	H ₂	H ₁	H ₀
Character Size Assignment Note	1	1	0	S ₅	S ₄	AR ₃	AR ₂	AR ₁	AR ₀
Test Mode Set	1	1	1	1	0	T ₃	T ₂	T ₁	T ₀

Note: Change of command because of mask pulse.

In case of selecting mask pulse function in mask code option at μ PD6450CX/GT, the command of character size is changed as shown below and this command is used some command with the command of mask pulse.

(The kind of character sizes is changed from 4 to 2.)

As using mask pulse function at μ PD6450CX, this product doesn't have mask pulse output terminal. So in this case, please use mask pulse function and character signal output function at same time.

CONTENT	F ₀	D ₇	D ₆	D ₅	D ₄	D ₃	D ₂	D ₁	D ₀
Character Size/Mask Pulse Assignment	1	1	0	MP	S ₄	AR ₃	AR ₂	AR ₁	AR ₀

Format Assignment and Format Reset (Test Mode Release)

Although commands for μ PD6450 consist of nine bits, they are separated into two banks because serial interface shift register uses eight bits. Switching of banks is made by bit 1 (F_0) of the format assignment command.

Command for bank '0' ($F_0 = 0$)

- Displayed character data
- Blink data for each character
- Character display line address
- Character display column address
- Color assignment for background/internal video signal
- Display ON/OFF, Blink, LC Oscillation Control
- NTSC/PAL Switching, External/Internal Video Switching, Crystal Oscillation Control

Command for bank '1' ($F_0 = 1$)

- Display position vertical address
- Display position horizontal address
- Character size assignment
- Test mode set

Format Reset (Test Mode Release)

Setting bit 0 (F_0) of format assignment command to "1" releases the test command mode and resets the following command. Since the test command mode stops normal commands from being received, always perform format reset to release test command mode before program execution.

Reset Command

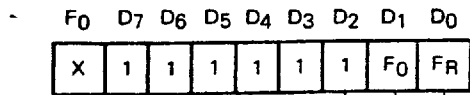
Size register (AR_{0-3}) on every line is set to " $(S_5, S_4) = (0, 0)$."
(Minimum size is assigned on every line.)

In case of selecting mask pulse function in mask code option at μ PD6450CX/GT, size register (AR_{0-3}) is set to $(S_4) = (0)$ on every lines and no mask pulse is output on any line ($MP = (0)$).

To release the test command mode without resetting the command above, use the test command mode release statement ($F_0, D_7, D_6, D_5, D_4, D_3, D_2, D_1, D_0$) = (1, 1, 1, 1, 0, 0, 0, 0, 0).

Note: As using mask pulse function at μ PD6450CX, this product doesn't have mask pulse output terminal. So in this case, please use mask pulse function and character signal output function at same time.

Format Assignment Command

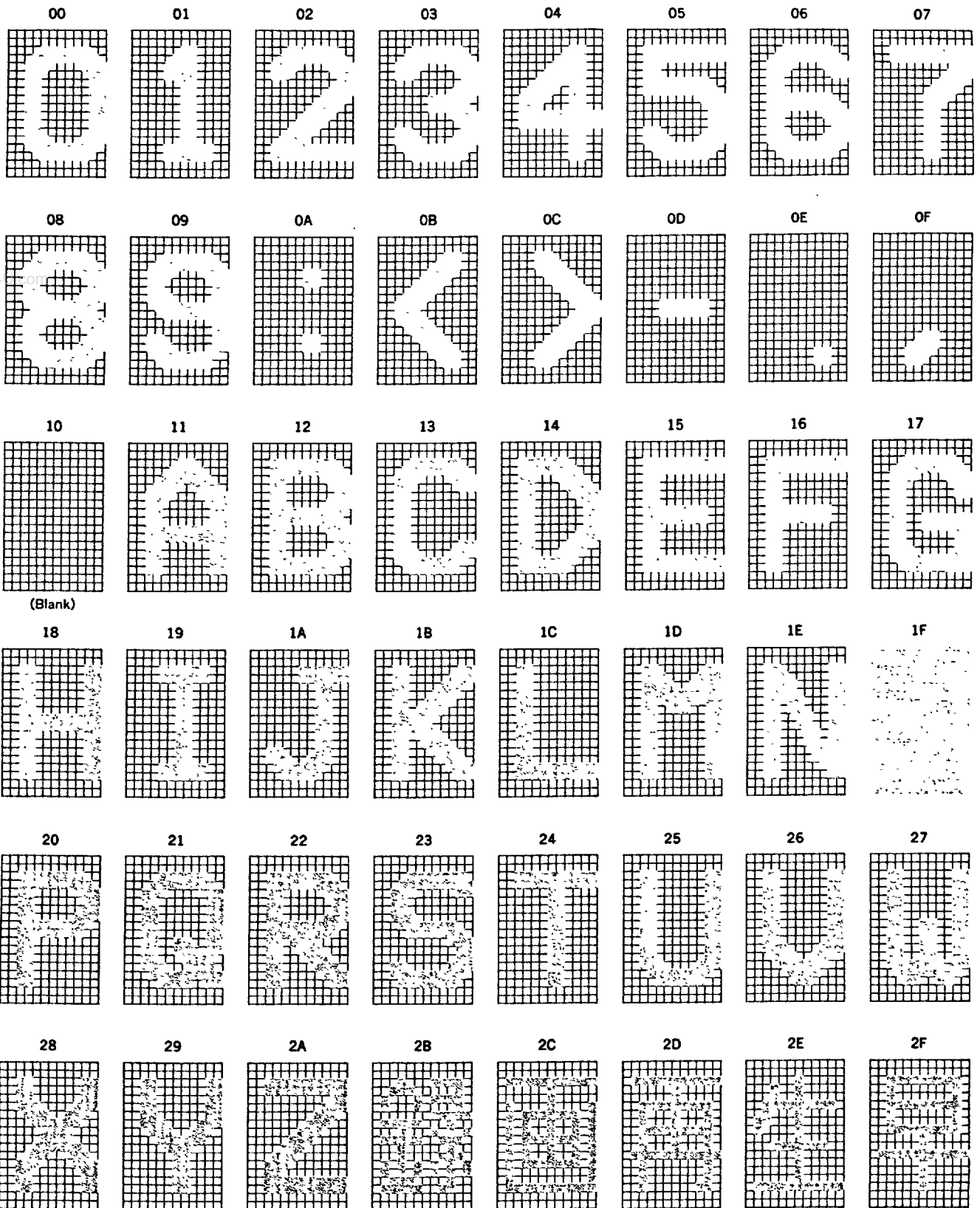


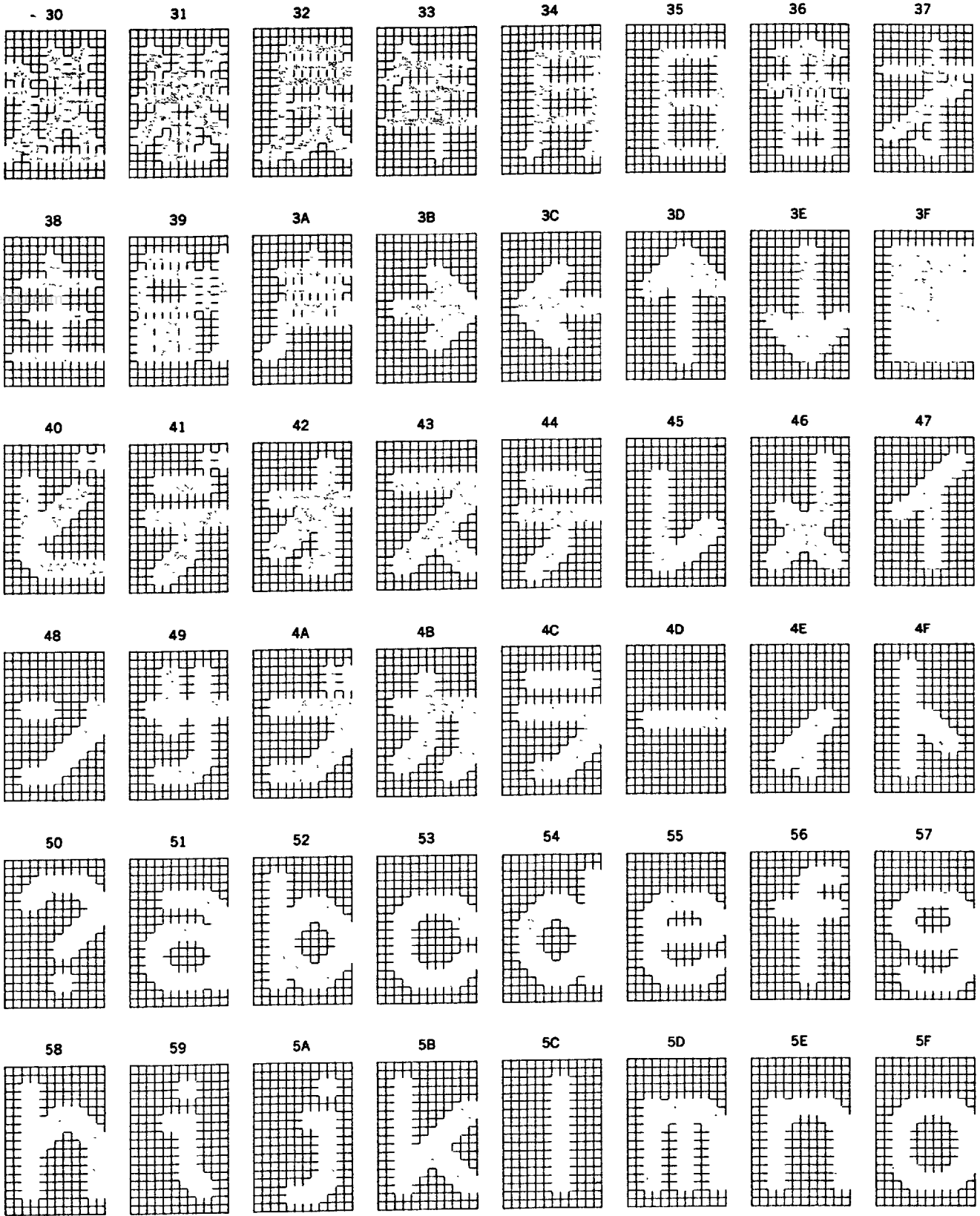
Format reset bit (Not latched)	
FR	Function
1	Test mode is released and character size assignment command is reset.

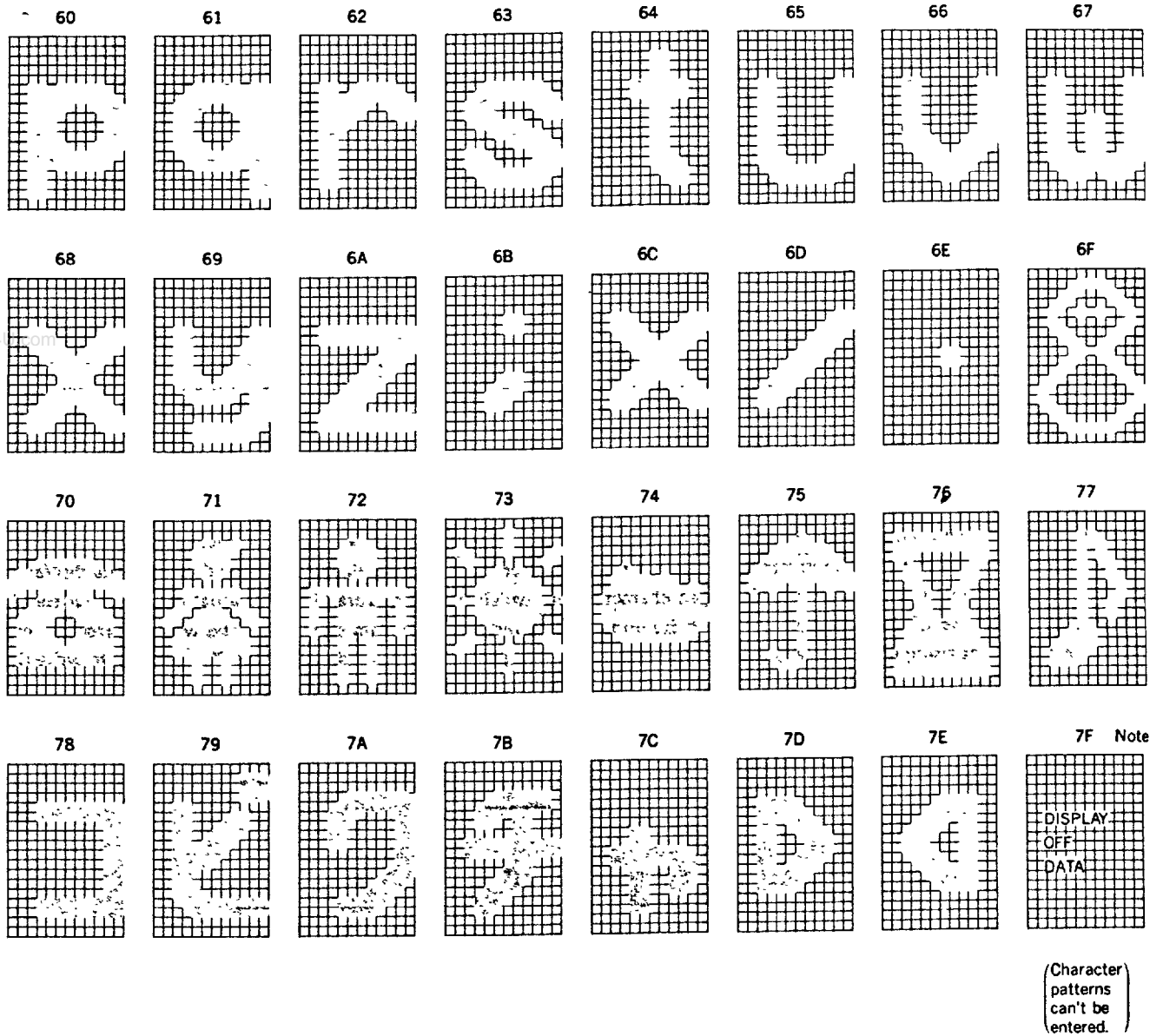
BANK switching bit	
F0	Function
0	Every command in Bank-0 can be used.
1	Every command in Bank-1 can be used.

These indicate that this command is the format assignment command.

www.DataSheet4U.com

Character Patterns of μ PD6450CX-002 & 6450GT-102





Note: In black block background and total black background mode, blank data (10H) generates background but no characters. DISPLAY OFF DATA (7FH) doesn't generate background or characters. If no-background or black trimmed character background mode is selected, BLANK DATA (10H) and DISPLAY OFF DATA (7FH) don't generate background or characters.

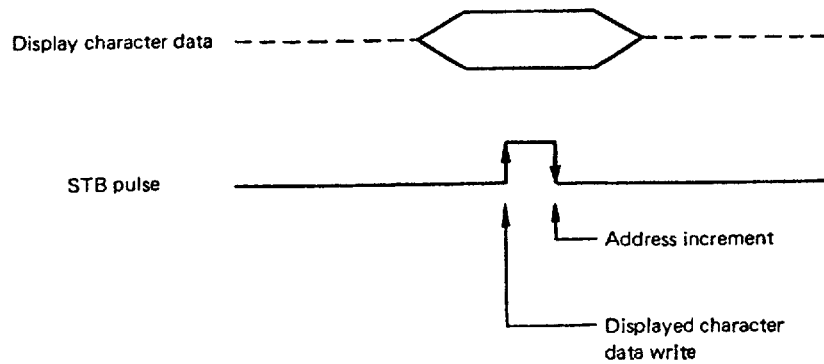
Character Display

There 12 lines by 24 columns of characters displayed (288 characters in all) as follows:

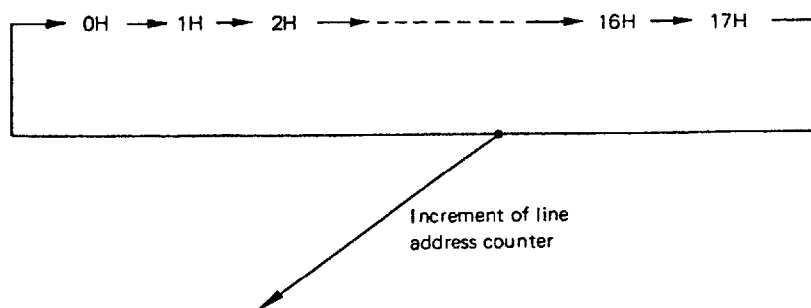
AC4, AC3, AC2, AC1, AC0	00000	00001	00010	00011	00100	00101	00110	00111	01000	01001	01010	01011	01100	01101	01110	01111	10000	10001	10010	10011	10100	10101	10110	10111
AR3	0000																							
AR2	0001																							
AR1	0010																							
AR0	0011																							
	0100																							
	0101																							
	0110																							
	0111																							
	1000																							
	1001																							
	1010																							
	1011																							

Writing Displayed Character Data and Blink Data for Each Character

The data write address can be set directly into the address counter by the character display line address command and character display column address command. After setting write address, feed blink data for each character with the blink data command. Blink data is stored by character in an internal register. After that, input displayed character data with the displayed character data command. Blink data and displayed character data which has been stored in an internal register is written in video RAM at the rise of the STB pulse input at the end of displayed character data command. The write address is incremented as follows at rising edge of the STB pulse generated when displayed character data is input. To continue to write displayed character data without changing blink data, input the displayed character data command.

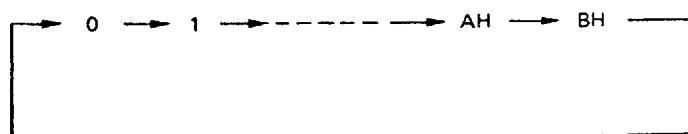


Column address counter $AC_4, AC_3, AC_2, AC_1, AC_0$

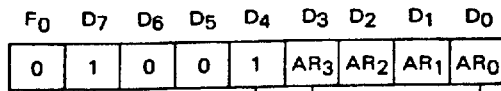


www.DataSheet4U.com

Line address counter AR_3, AR_2, AR_1, AR_0



Character Display Line Address Command



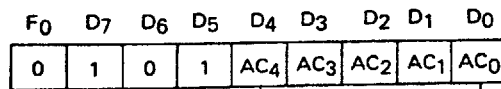
Line address assignment bit				
AR ₃	AR ₂	AR ₁	AR ₀	Function
0	0	0	0	The first line is set.
0	0	0	1	The second line is set.
1	0	1	1	The 12th line is set.

Enter only addresses 0H – BH.

These show that this command is the character display line address command.

www.DataSheet4U.com

Character Display Column Address Command

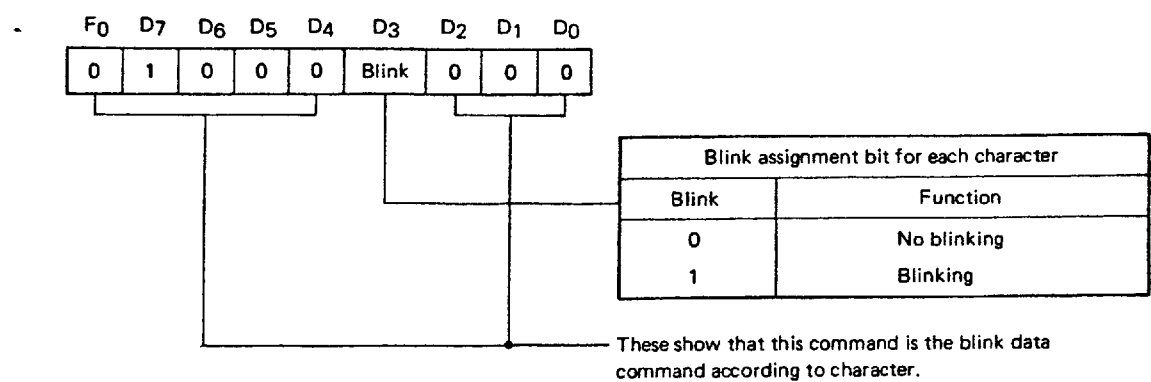


Column address assignment bit					
AC ₄	AC ₃	AC ₂	AC ₁	AC ₀	Function
0	0	0	0	0	The first column is set.
0	0	0	0	1	The second column is set.
1	0	1	1	1	The 24th column is set.

Set only address 0H – 17H.

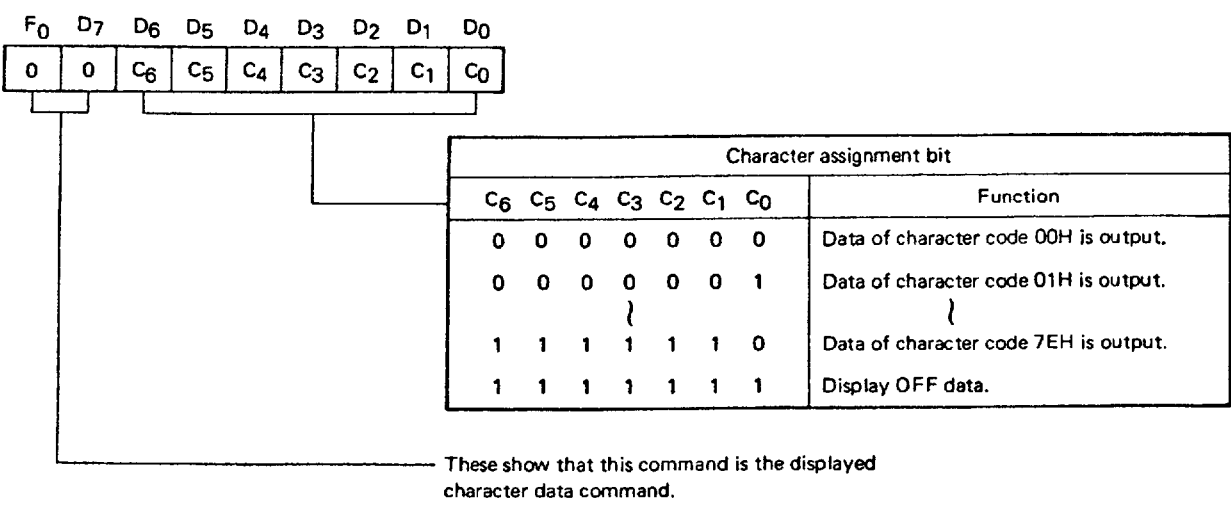
These show that this command is the character display column address command.

Blink Data Command for Each Character



www.DataSheet4U.com

Displayed Character Data Command



Turning Total Display ON or OFF

The display can be partially turned off with Blank data or display off data. The total display turned off with display ON/OFF, blink, and LC oscillation control commands. When display OFF is set with this command, characters and backgrounds are not output.

Character Blinking

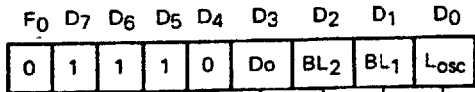
This IC enables blinking for each character with display ON/OFF, blink, and LC oscillation control commands. Blinking characters are determined with the character blink data command. The blinking period is about 1 second (64 times longer than 1 vertical cycle), and three blinking ratios (1:1, 3:1, and 1:3) are available.

LC Oscillation Control

Since this IC enables control of LC oscillation with display ON/OFF, blink, and LC oscillation control commands, oscillation can be suspended while characters aren't displayed, so that power can be saved. Since character output isn't reliable after suspension of oscillation, set the display ON/OFF control bit (Do) to "0" (display OFF).

Note: When display is ON, the oscillation synchronizes \overline{HSYNC} , so the oscillation is stopping at the low level term of \overline{HSYNC} . When display is OFF, the oscillation keeps on irrespective of \overline{HSYNC} .

Display ON/OFF, Blink, and LC Oscillation Commands



LC oscillation control bit	
L _{osc}	Function
0	LC oscillation OFF
1	LC oscillation ON

Blink control bit		
BL ₂	BL ₁	Function
0	0	Blink OFF
0	1	Blink ratio 1 (ON) : 3 (OFF)
1	0	Blink ratio 3 (ON) : 1 (OFF)
1	1	Blink ratio 1 (ON) : 1 (OFF)

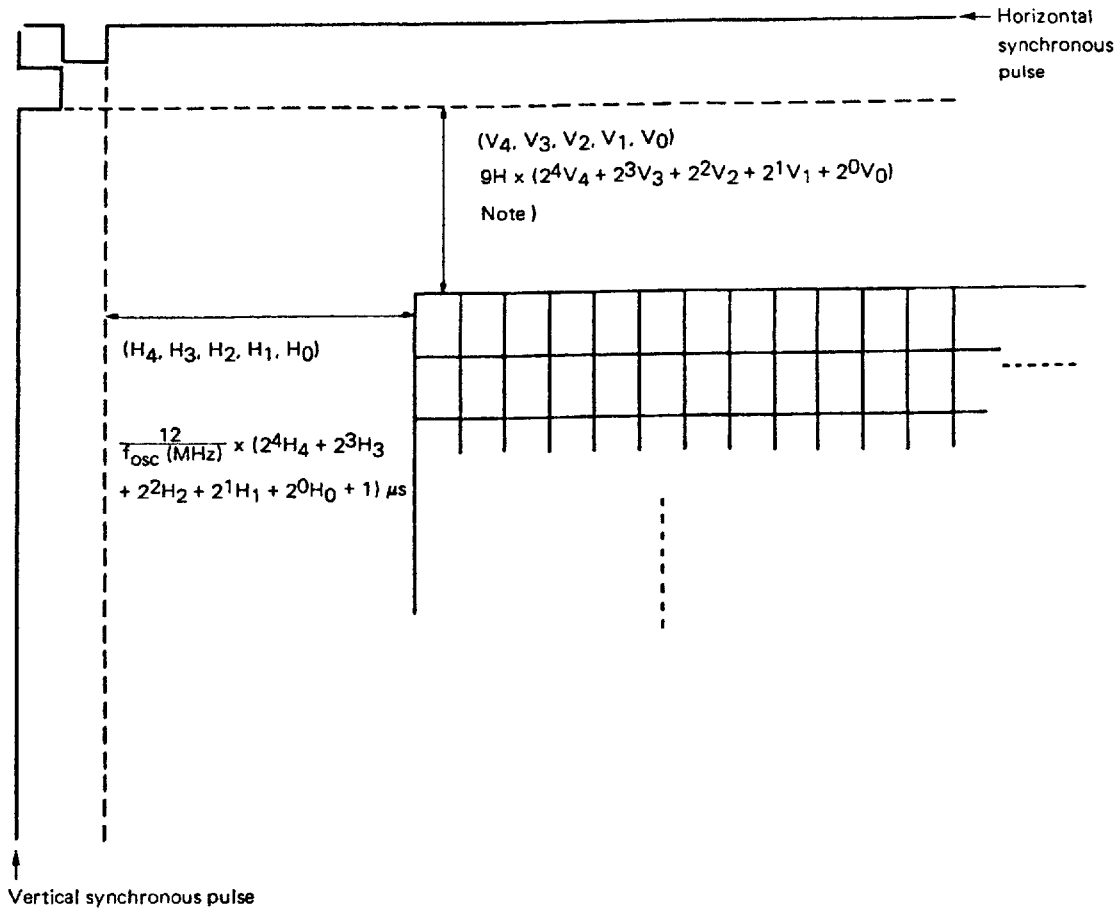
Display ON/OFF control bit	
Do	Function
0	Display OFF
1	Display ON

These show that this command is the display ON/OFF, blink and LC oscillation command.

www.DataSheet4U.com

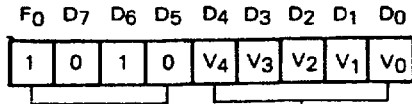
Character Display Address

Character display starting address is determined as follows with values assigned by both the display position vertical address command ($F_0, D_7, D_6, D_5, D_4, D_3, D_2, D_1, D_0$) = (1, 0, 1, 1, V_4, V_3, V_2, V_1, V_0) and the display position horizontal address command ($F_0, D_7, D_6, D_5, D_4, D_3, D_2, D_1, D_0$) = (1, 1, 1, 0, H_4, H_3, H_2, H_1, H_0).



Note: Vertical address counter is incremented by the leading edge of the horizontal synchronous pulse.

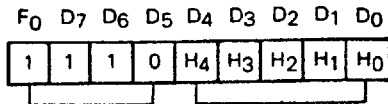
Assignment Command for Display Position Vertical Address



Vertical address assignment bits					Start address
V ₄	V ₃	V ₂	V ₁	V ₀	
0	0	0	0	0	From the trailing edge of the vertical synchronous pulse 9 x 0H
0	0	0	0	1	From the trailing edge of the vertical synchronous pulse 9 x 1H
}					}
1	1	1	1	1	From the trailing edge of the vertical synchronous pulse 9 x 31H

These show the this command is the assignment command for the display position address.

Assignment Command for Display Position Horizontal Address



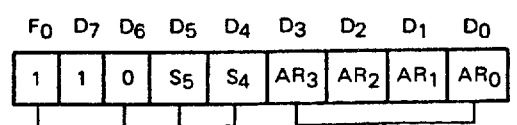
Horizontal address assignment bits					Start address
H ₄	H ₃	H ₂	H ₁	H ₀	
0	0	0	0	0	From the trailing edge of the horizontal synchronous pulse $12/f_{osc}(\text{MHz}) \times 1 [\mu\text{s}]$
0	0	0	0	1	From the trailing edge of the horizontal synchronous pulse $12/f_{osc}(\text{MHz}) \times 2 [\mu\text{s}]$
}					}
1	1	1	1	1	From the trailing edge of the horizontal synchronous pulse $12/f_{osc}(\text{MHz}) \times 32 [\mu\text{s}]$

These show that this command is the assignment command for the display position horizontal address.

Assignment of Character Size

Character size for each line can be selected from 1H, 2H, 3H or 4H of 1 dot. Line and character size is assigned with the character size assignment command. Note that there are two character sizes (1H or 2H of 1 dot) when the mask pulse function is selected in mask code option

Character Size Assignment Command



www.DataSheet4U.com

Row address selection bit				Function
AR3	AR2	AR1	AR0	
0	0	0	0	The first line is selected.
0	0	0	1	The second line is selected.
		}	}	
1	0	1	1	The 12th line is selected.

Enter only addresses 0H to BH.

Character size specification bit		Character dot size	
S5	S4		
0	0	Longitudinal 1 H	Lateral t _{dot}
0	1	2 H	2 · t _{dot}
1	0	3 H	3 · t _{dot}
1	1	4 H	4 · t _{dot}

$$t_{dot} = \frac{1}{f_{osc}(\text{MHz})} \mu\text{s}$$

These show that this command is the character size assignment command.

External/Internal Video Switching

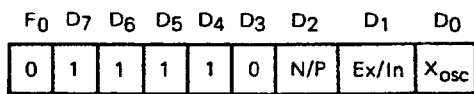
When TV broadcasting signal can't be received or when unpre-recorded tape is being played, synchronization is poor and mixing of the character results in poor character display. In such cases an internal video signal (raster signal of one color out of white, black, red, green and blue) should be generated with NTSC/PAL switching, external/internal video switching, or crystal oscillation control command, so that mixing of the character signal becomes possible. When an external video signal is used, crystal oscillation can be stopped by setting the crystal oscillation control bit (X_{osc}) to "0." This reduces power consumption. Internal video signal is noninterlaced video signal.

NTSC/PAL Switching

The internal video signal shown above can be used in both NTSC and PAL systems by changing NTSC/PAL switching bit with the NTSC/PAL switching, external/internal video switching, or crystal oscillation control command and by changing the external X'tal (14.318 18 MHz for NTSC, 17.734 476 MHz for PAL).

www.DataSheet4U.com

External/Internal Video Switching, X'tal Oscillation Control Command



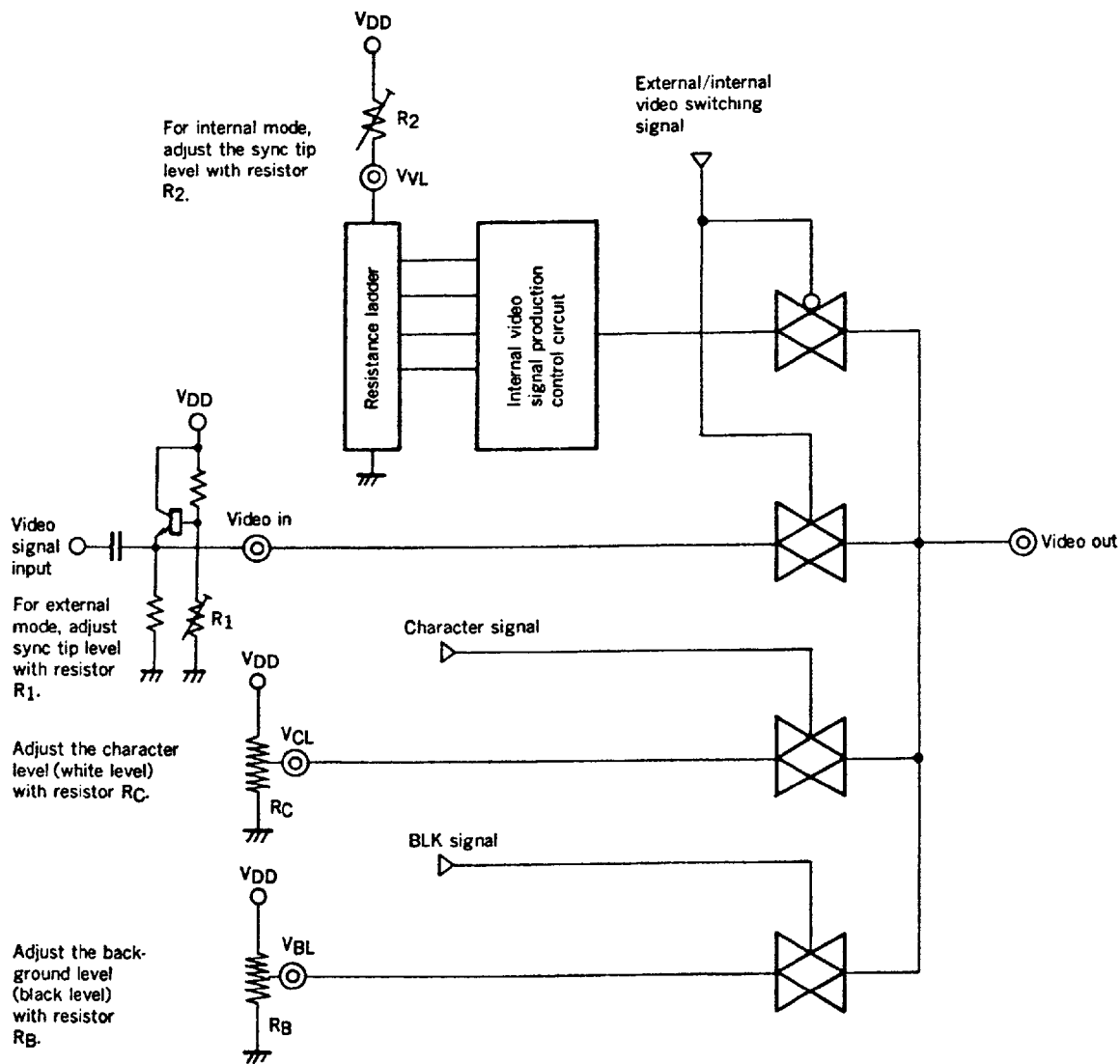
X'tal oscillation control bit	
X _{osc}	Function
0	X'tal oscillation OFF
1	X'tal oscillation ON

Externat/Internal video switching bit	
Ex/In	Function
0	External video signal mode
1	Internal video signal

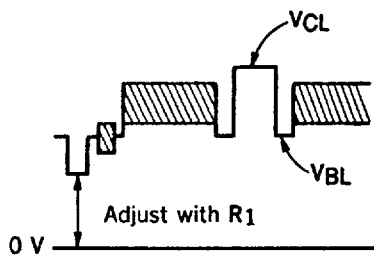
NTSC/PAL switching bit	
N/P	Function
0	NTSC mode
1	PAL mode

These show that this command is the NTSC/PAL switching, external/internal video switching, crystal oscillation control command.

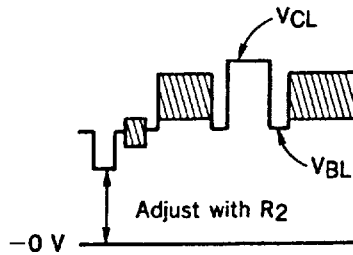
Adjusting Sync tip level, Character level, and Background level



In external mode



In internal mode



Note: Since there is no built-in pedestal clamp circuit for external video signal, connect direct current clamp circuit in front of "video in."

Background Assignment and Color Changing of Internal Video Signal

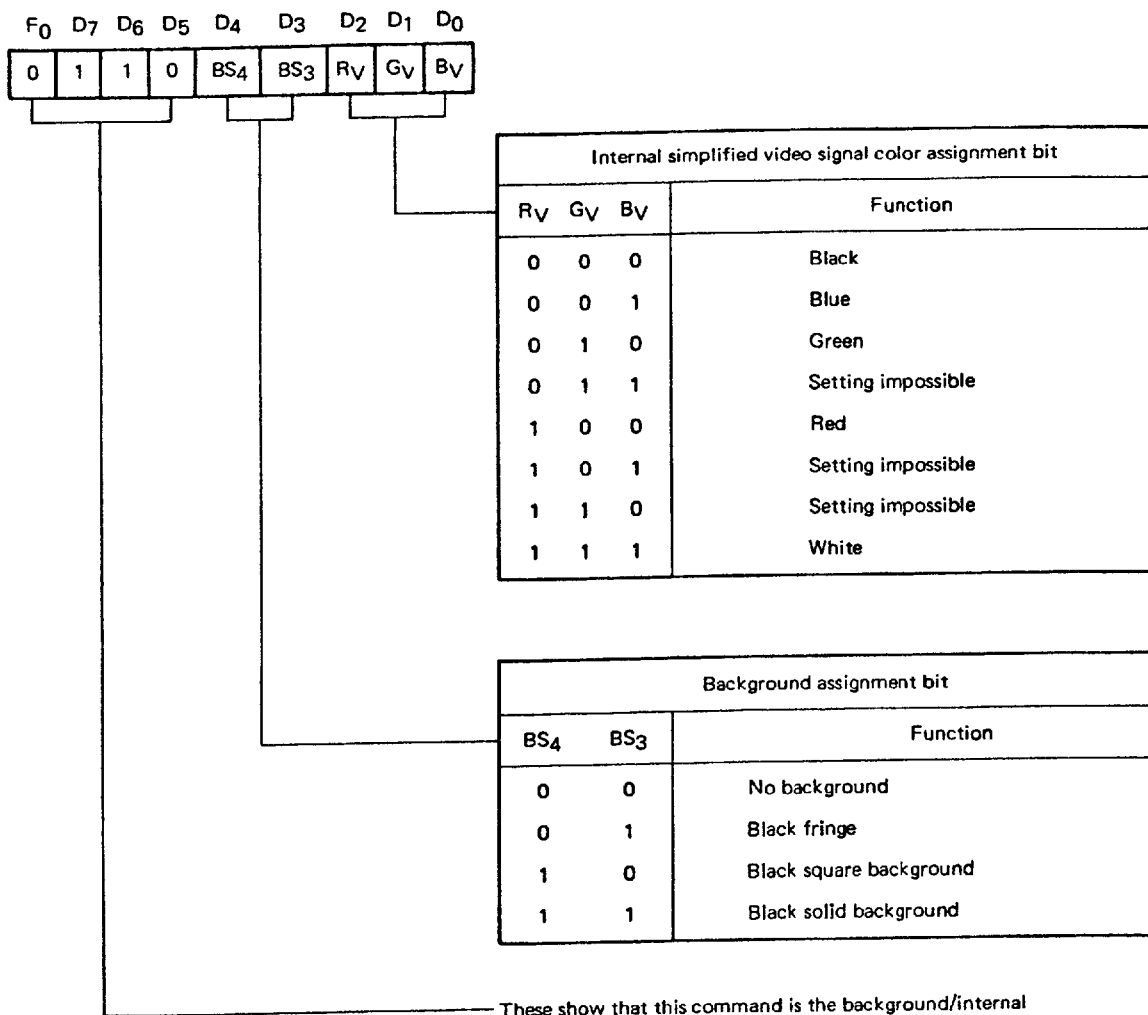
The background can be selected for each screen image from no-background, black-fringe, black square background, and black-solid background by the background internal video signal color assignment command. The background color is black.

When an internal video signal is used because of NTSC/PAL switching, external/internal video switching, and X'tal oscillation control command, raster color is switched by this background internal video signal color assignment command as well. In this case, white, black, red, green, or blue can be selected. Internal video signal is noninterlaced video signal.

- No background Character is totally surrounded by image or internal video signal.
- Black fringe Characters are trimmed with 1 dot-minimum character (1H/1 dot).
- Black square background The 12 line x 24 column block displaying characters has a black background.
- Black solid background Image signal or internal video signal is totally omitted and whole screen has a black background.

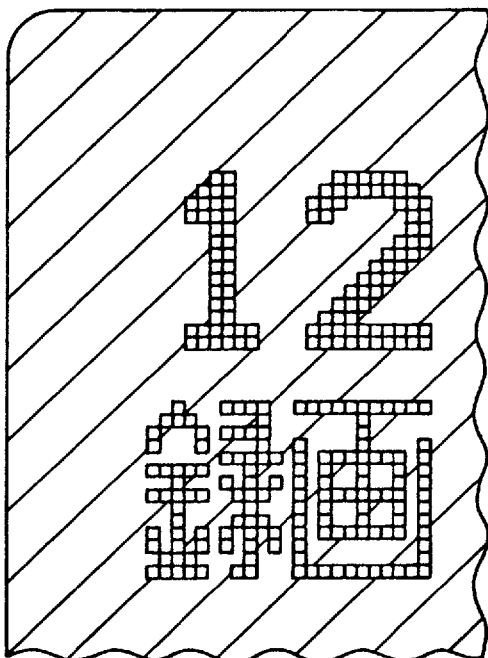
www.DataSheet4U.com

Background Internal Video Signal Color Assignment Command



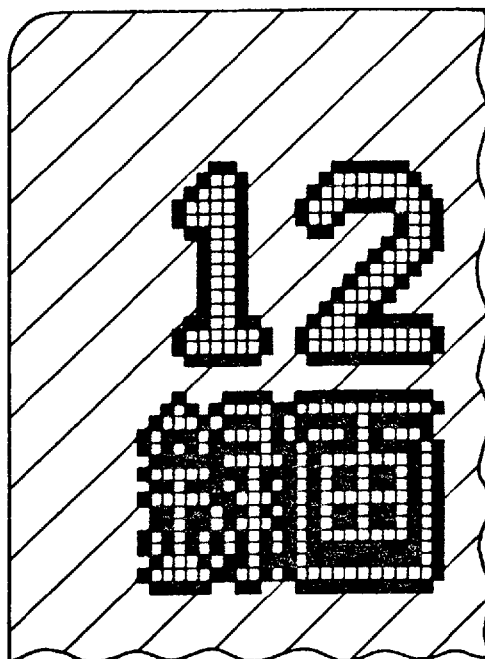
Display in Various Background Modes

No background



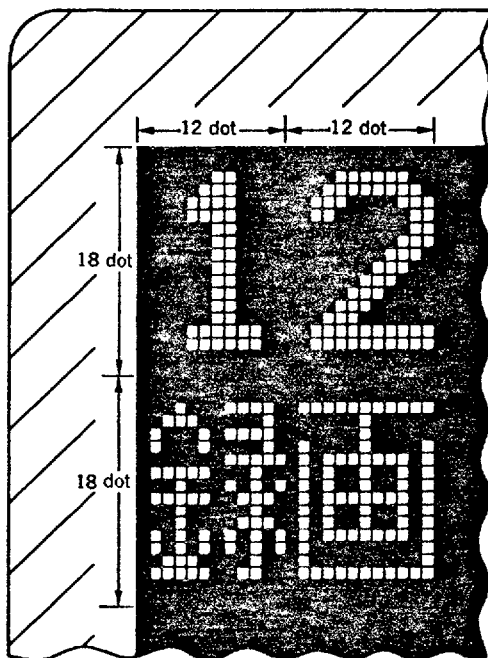
- White (character)
- Color of image or internal video signal

Black fringe



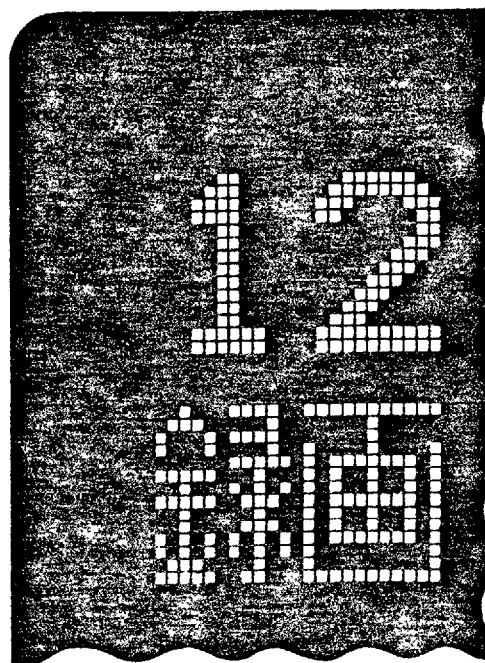
- White (character)
- Black (background)
- Color of image or internal video signal

Black Square background



- White (character)
- Black (background)
- Color of image or internal video signal

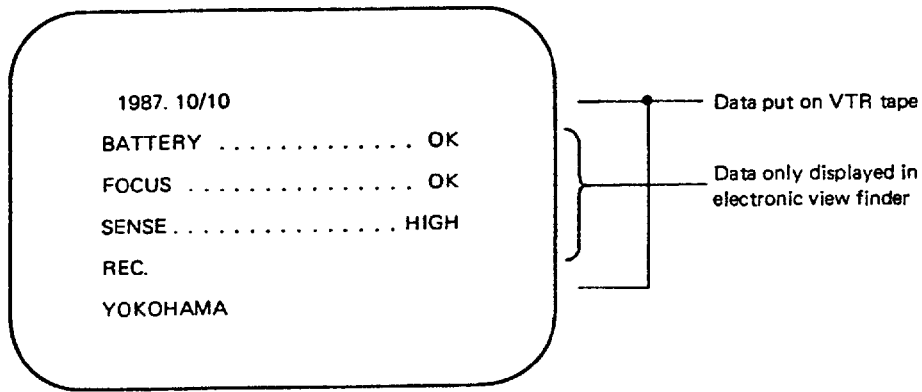
Black solid background



- White (character)
- Black (background)

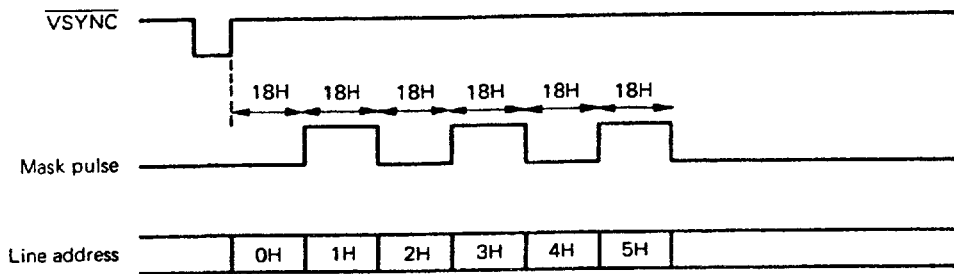
Mask Pulse Function

If an on-screen IC is used for VTR cameras, there are two types of data such as dates and titles to be put onto the VTR tapes and data such as battery, focus, sensitivity, and mode to be displayed in the electronic view finder. To sort these two data, this product can out character signal and blanking signal of lines without mask pulse (character signal output function: mask code option). And μ PD6450GT is possible to use '15' terminal as mask pulse output terminal in mask code option.

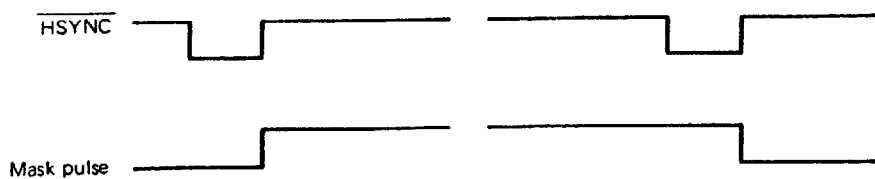


www.DataSheet4U.com

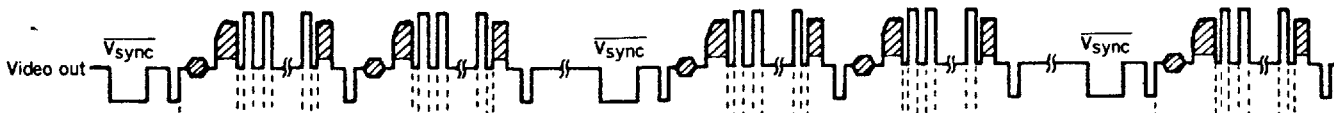
When the mask pulse is generated at line addresses 1H, 3H, and 5H with vertical address "0H" and with character size in all lines "2H/dot".



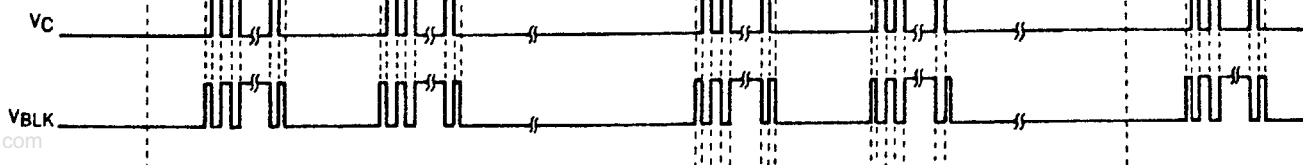
Leading and trailing edges of mask pulse are synchronized with trailing edge of $\overline{\text{HSYNC}}$.



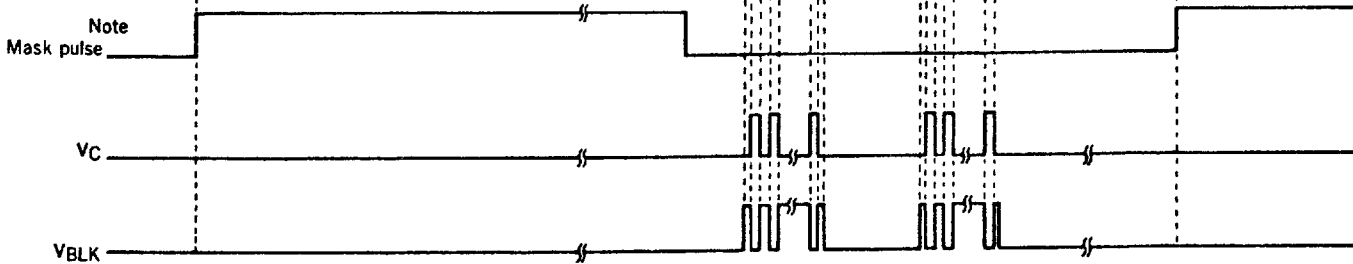
Outputs of V_C , V_{BLK} terminals, in case of selected character signal output function in mask code option.



(1) In case of outting no mask pulse or selecting non mask pulse function, all character signal and all blanking signal are outted.



(2) In case of outting mask pulse signal.
Character signal and blanking signal of lines without mask pulse are outted.

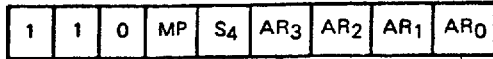


Note: As using mask pulse function at μ PD6450CX, this product doesn't have mask pulse output terminal. So in this case, please use mask pulse function and character signal output function at same time.

Mask Pulse, Character Size Assignment Command

(Used only when mask pulse function is selected for μ PD6450GT by mask code option.)

F₀ D₇ D₆ D₅ D₄ D₃ D₂ D₁ D₀



Row address selection bit				Function
AR ₃	AR ₂	AR ₁	AR ₀	
0	0	0	0	The first line is selected.
0	0	0	1	The second line is selected.
}				}
1	0	1	1	The 12th line is selected.

Enter only addresses 0H to BH.

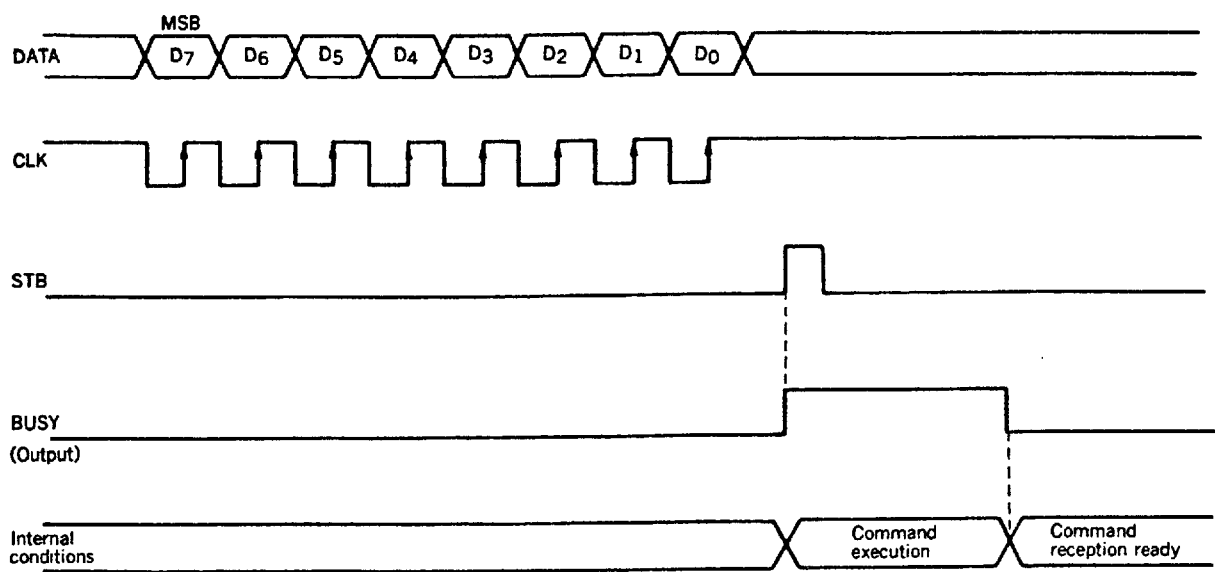
Character size assignment bit		Function
S ₄	Character dot size	
0	Longitudinal 1 H	Lateral t _{dot}
1	2 H	2 · t _{dot}

$$t_{dot} = \frac{1}{f_{osc}(MHz)} \mu s$$

Mask pulse assignment bit		Function
MP		
0	No mask pulse is input.	
1	Mask pulse is input.	

These show that this command is the mask pulse character size assignment command.

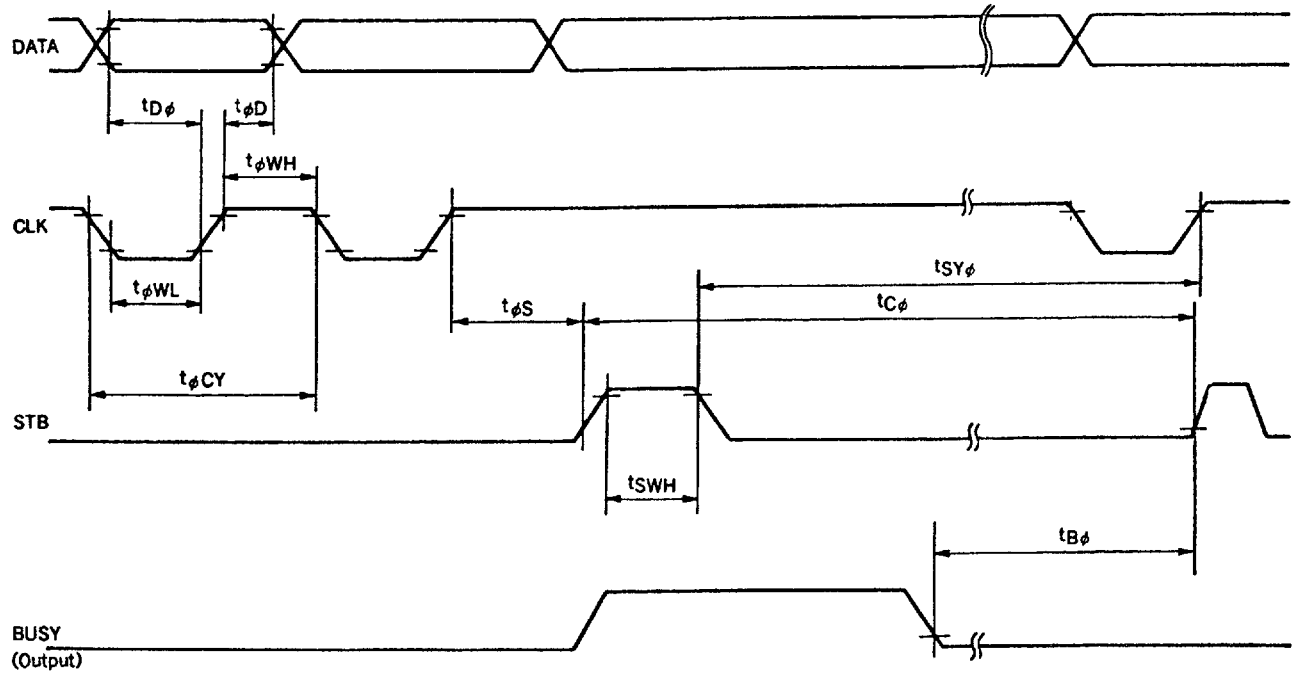
Note: μ PD6450CX-002 and μ PD6450GT-102 don't use the mask pulse and character signal output, and this command can't be used for it. As using mask pulse function at μ PD6450CX, this product doesn't have mask pulse output terminal. So in this case, please use mask pulse function and character signal output function at same time.

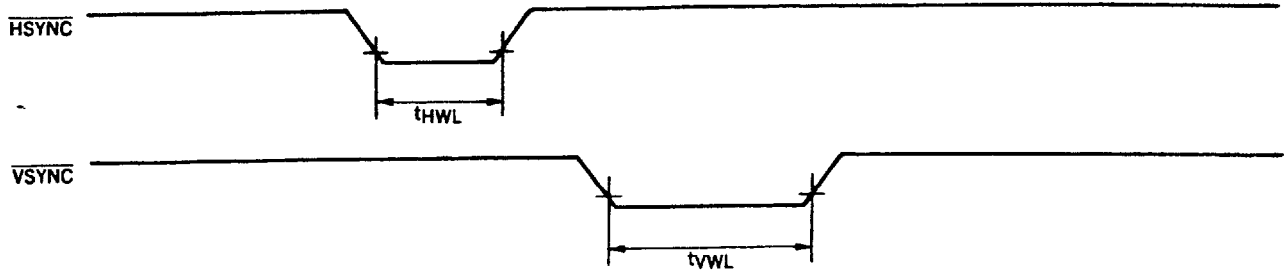


www.DataSheet4U.com

For format data, a busy signal is generated after the internal conditions are completely determined. When writing data in VRAM, a busy signal is generated after the completion of writing in VRAM. When the VRAM write period extends into the horizontal retrace line period, the busy signal becomes longer than usual, so be careful. (This is because oscillation is suspended during the horizontal retrace line period, so writing in VRAM becomes impossible.)

Note: As the character signal output function is selected in mask code option, the 1st-terminal can't output the BUSY-signal. Please take care of the data transmitting and keep the recommended operation timing.





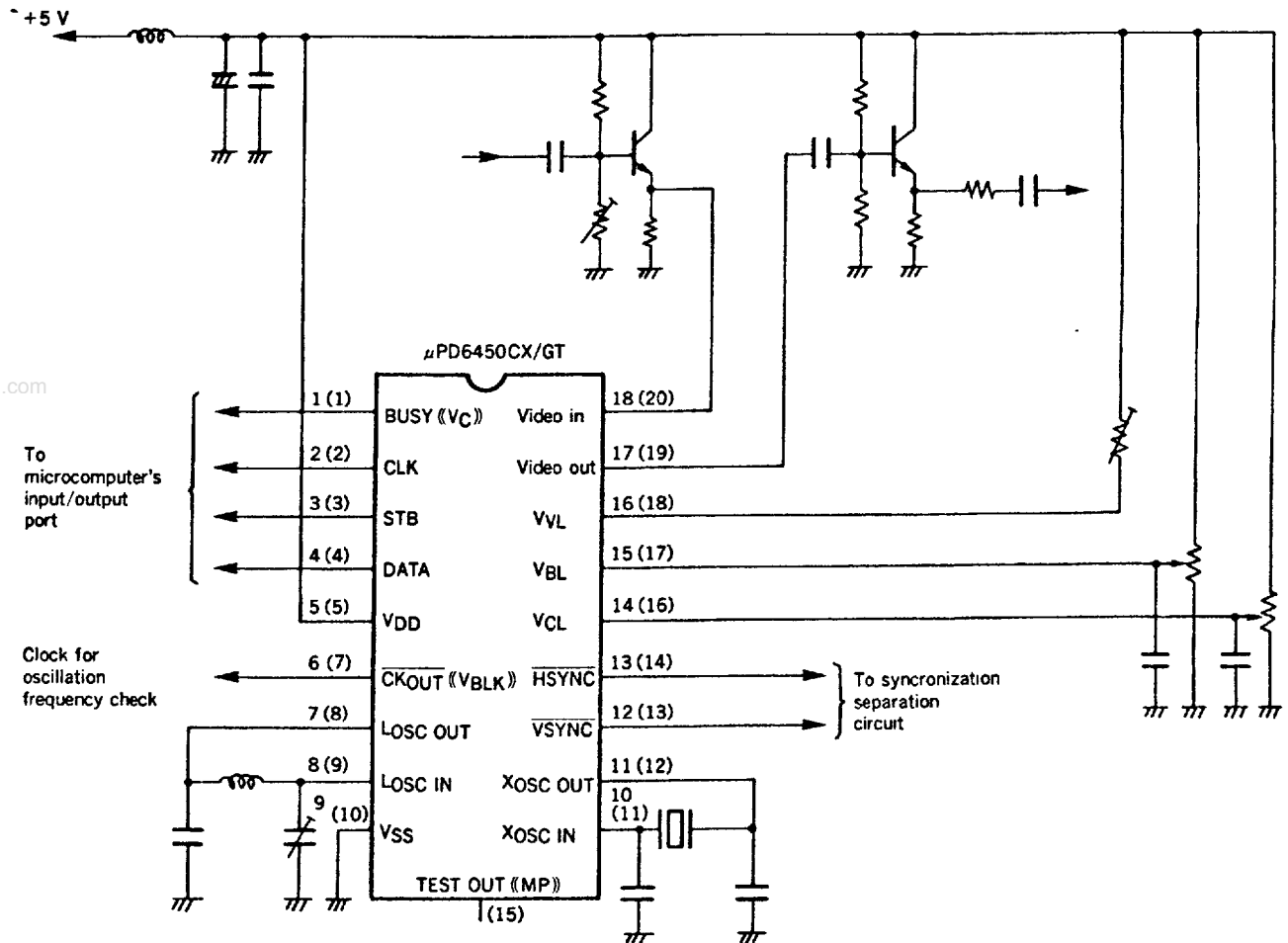
RECOMMENDED OPERATION TIMING (T_a = 25 °C, V_{DD} -V_{SS} = 5.0 V)

ITEM	SYMBOL	MIN.	TYP.	MAX.	UNIT	TEST CONDITIONS
Min. Setup Time	t _{Dφ}	200			ns	
Min. Hold Time	t _{φD}	200			ns	
Min. Clock Low-level Width	t _{φWL}	700			ns	
Min. Clock High-level Width	t _{φWH}	700			ns	
Min. Clock → Strobe Time	t _{φS}	400			ns	
Min. Strobe High-level Width	t _{SWH}	1			μs	
Clock Cycle	t _{φCY}	1.6			μs	
Min. Busy → Strobe Time	t _{Bφ}	100			ns	
Min. VSYNC Low-level Width	t _{VWL}	4			μs	
Min. HSYNC Low-level Width	t _{HWL}	4			μs	
Max. Strobe → Strobe Time	t _{Cφ}	14.4			μs	Displayed Character Data Command transmits at display ON with following conditions. Strobe high-level Width: 1 μs H _{sync} low-level Width: 5 μs f _{osc} : 6 MHz Character size : 2H/dot
		11.1			μs	Displayed Character Data Command transmits at display OFF with following conditions. Strobe high-level Width: 1 μs H _{sync} low level Width: 5 μs f _{osc} : 6 MHz Character size: 2H/dot
Min. Strobe → Clock Time	t _{SYφ}	4			μs	Commands except Displayed Character Data Command transmit.

Note: The calculate expression of Max. Strobe → Strobe Time

$$BUSY\ t_{C\phi} = STB_{High} + H_{sync}\ Low + (25/f_{osc}) \times (\text{character size}) + 100\ ns$$
 ↳ When the display is off : 15
 ↳ When the display is off : 0

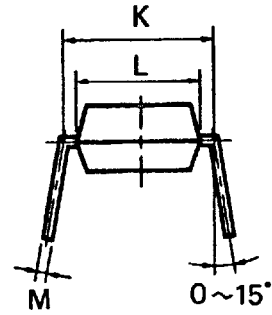
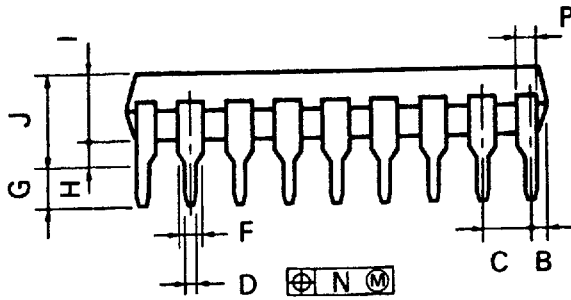
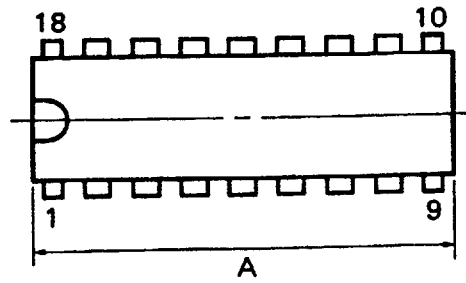
ADOPTED CIRCUIT



Numbers in single brackets are terminal numbers for μ PD6450GT and don't connect 6th and 15th terminals for code products which don't use the mask pulse.
 This double brackets shows terminal arrangement for the mask code option when selecting Mask pulse function and Character signal output function. Take care of connection of this terminals.

μPD6450CX-002

18PIN PLASTIC DIP (300 mil)



P18C-100-300B

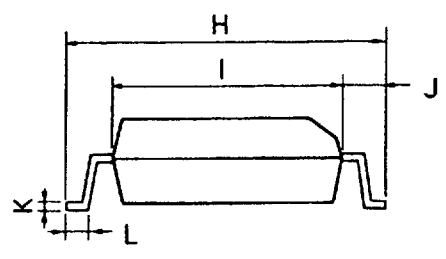
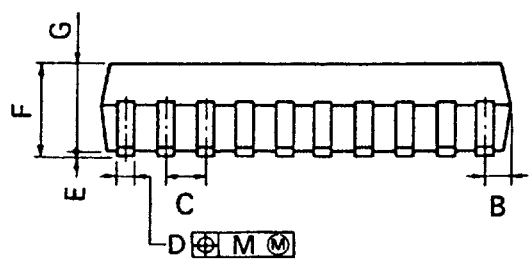
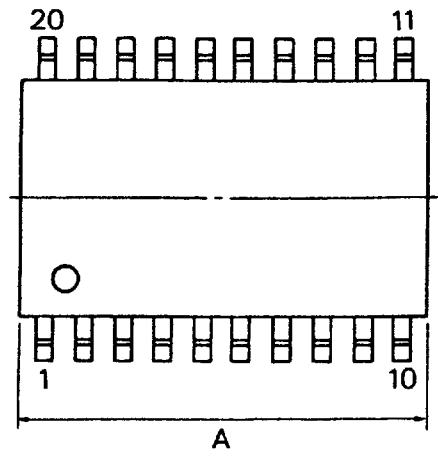
NOTES

- 1) Each lead centerline is located within 0.25 mm (0.01 inch) of its true position (T.P.) at maximum material condition.
- 2) Item "K" to center of leads when formed parallel.

ITEM	MILLIMETERS	INCHES
A	22.86 MAX.	0.900 MAX.
B	1.27 MAX.	0.050 MAX.
C	2.54 (T.P.)	0.100 (T.P.)
D	0.50 ^{+0.10}	0.020 ^{+0.004}
F	1.2 MIN.	0.047 MIN.
G	3.2 ^{+0.3}	0.126 ^{+0.012}
H	0.51 MIN.	0.020 MIN.
I	4.31 MAX.	0.170 MAX.
J	5.08 MAX.	0.200 MAX.
K	7.62 (T.P.)	0.300 (T.P.)
L	6.4	0.252
M	0.25 ^{+0.10}	0.010 ^{+0.004}
N	0.25	0.01
P	1.0 MIN.	0.039 MIN.

μPD6450GT-102

20PIN PLASTIC SOP (375 mil)



www.DataSheet4U.com

NOTE

Each lead centerline is located within 0.12 mm (0.005 inch) of its true position (T.P.) at maximum material condition.

P20GM-50-375B-1

ITEM	MILLIMETERS	INCHES
A	13.00 MAX.	0.512 MAX.
B	0.78 MAX.	0.031 MAX.
C	1.27 (T.P.)	0.050 (T.P.)
D	0.40 ^{+0.10} / _{0.06}	0.016 ^{+0.004} / _{0.003}
E	0.1 ^{+0.2} / _{0.1}	0.004 ^{+0.008} / _{0.004}
F	2.9 MAX.	0.115 MAX.
G	2.50	0.098
H	10.3 ^{+0.3}	0.406 ^{+0.012} / _{0.013}
I	7.2	0.283
J	1.6	0.063
K	0.15 ^{+0.10} / _{0.06}	0.006 ^{+0.004} / _{0.004}
L	0.8 ^{+0.2}	0.031 ^{+0.008} / _{0.008}
M	0.12	0.005