

## Description

The μPD7519, 7519H, 75CG19, and 75CG19H are CMOS 4-bit, single-chip microcomputers with the μPD7500 series architecture and a FIP controller/driver. On-board peripheral functions include an 8-bit timer/event counter, an 8-bit serial interface, a 14-bit programmable pulse generator, and a display controller/driver that supervises all of the timing requirements of the 24 port S segment drivers either for a 16-character, 7-segment FIP, or an 8-character, 14-segment FIP.

Twenty-eight I/O lines are organized into seven 4-bit ports: the input serial interface port 0, output ports 2 and 3, and I/O ports 1, 4, 5, and 6.

The subroutine stack is implemented in RAM for greater nesting depth and flexibility, providing such operations as the pushing and popping of register values.

The μPD7519 has a 7.63 μs instruction cycle time at  $f_{xx} = 4.19$  MHz. The μPD7519H/75CG19H has a 2.44 μs instruction cycle time at  $f_{xx} = 6.55$  MHz.

Current consumption for the μPD7519 is less than 2 mA in normal operation ( $V_{DD} = 5 V \pm 10\%$ ,  $f_{xx} = 4.19$  MHz, high speed mode) and is further reduced in the halt and stop power-down modes. For the μPD7519H, current consumption is less than 6 mA for normal operation ( $V_{DD} = 5 V \pm 10\%$ ,  $f_{xx} = 6.55$  MHz, high speed mode).

The μPD75CG19/75CG19H piggyback EPROM version, is available for prototyping and program development. It is pin-compatible and functionally equivalent to the masked version.

**Note:** FIP is the registered trademark for NEC's fluorescent indicator panel (vacuum fluorescent display).

## Features

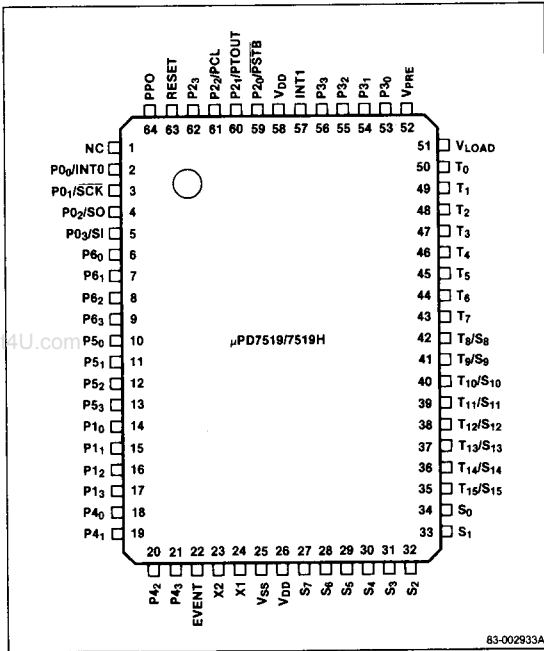
- 4096 × 8-bit program memory (ROM)
- 256 × 4-bit data memory (RAM)
- 28 I/O lines
- Programmable FIP controller/driver
  - 24 high-voltage output lines
- 8-bit serial interface
- 8-bit timer/event counter
- Programmable pulse generator (PPG)
  - Variable duty port (D/A converter)
  - Signal generator port
  - 1-bit output port
- Vectored, prioritized interrupts
  - Two external: INT0, INT1
  - Two internal: timer (INTT) and serial (INTS)
- Four 4-bit general purpose registers
- 106 instructions; subset of μPD7500 series instructions set A
  - Look-up-table capability
  - Indirect indexed addressing
- Instruction cycle
  - μPD7519 low speed mode: 15.26 μs/4.19 MHz
  - μPD7519 high speed mode: 7.63 μs/4.19 MHz
  - μPD7519H low speed mode: 15.26 μs/4.19 MHz
  - μPD7519H low speed mode: 9.77 μs/6.55 MHz
  - μPD7519H high speed mode: 3.81 μs/4.19 MHz
  - μPD7519H high speed mode: 2.44 μs/6.55 MHz
- Two power-down modes
- Single power supply (2.5 V to 6.0 V)

## Ordering Information

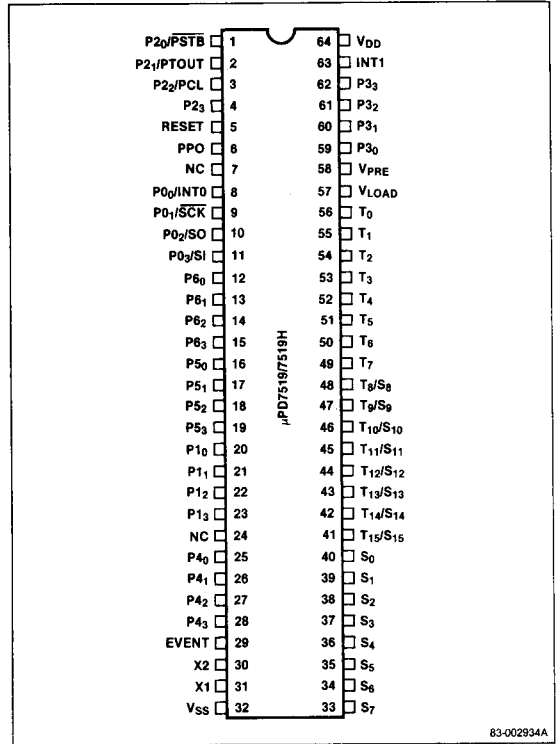
Part Number	Package Type	Max Frequency of Operation
μPD7519G-12	64-pin plastic miniflat	4.19 MHz
μPD7519G-36	64-pin plastic QUIP	4.19 MHz
μPD7519CW	64-pin plastic shrink DIP	4.19 MHz
μPD75CG19E	64-pin ceramic piggyback QUIP	4.19 MHz
μPD7519HG-12	64-pin plastic miniflat	6.55 MHz
μPD7519HG-36	64-pin plastic QUIP	6.55 MHz
μPD7519HCW	64-pin plastic shrink DIP	6.55 MHz
μPD75CG19HE	64-pin ceramic piggyback QUIP	6.55 MHz

Pin Configurations

64-Pin Plastic Miniflat



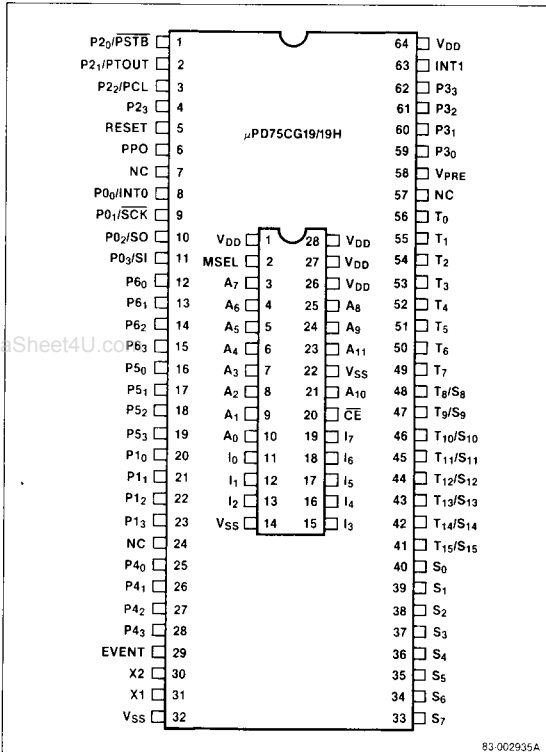
64-Pin Plastic QUIP and Shrink DIP



www.DataSheet4U.com

## Pin Configurations (cont)

### 64-Pin Ceramic Piggyback QUIP



## Pin Identification

### Flatpack, Shrink DIP, and QUIP Packages

Flat	QUIP <sup>(1)</sup>	Name	Function
1	7, 24	NC	No connection
2	8	P0 <sub>0</sub> /INT0	Port 0 or external interrupt INT0 and the serial I/O interface
3	9	P0 <sub>1</sub> /SCK	
4	10	P0 <sub>2</sub> /SO	
5	11	P0 <sub>3</sub> /SI	
6-9	12-15	P6 <sub>0</sub> -P6 <sub>3</sub>	Port 6
10-13	16-19	P5 <sub>0</sub> -P5 <sub>3</sub>	Port 5
14-17	20-23	P1 <sub>0</sub> -P1 <sub>3</sub>	Port 1
18-21	25-28	P4 <sub>0</sub> -P4 <sub>3</sub>	Port 4
22	29	EVENT	Timer/event counter input
23-24	30-31	X2, X1	Crystal clock input
25	32	V <sub>SS</sub>	Ground
26, 58	64	V <sub>DD</sub>	Power supply positive
27-34	33-40	S <sub>0</sub> -S <sub>7</sub>	Segment outputs
35-42	41-48	T <sub>6</sub> /S <sub>8</sub> -T <sub>15</sub> /S <sub>15</sub>	Timing/segment outputs
43-50	49-56	T <sub>0</sub> -T <sub>7</sub>	Timing outputs
51	57	V <sub>LOAD</sub>	High voltage option resistor supply negative. This pin is not used (NC) in the μPD75CG19/75CG19H.
52	58	V <sub>PRE</sub>	High voltage predriver supply negative
53-56	59-62	P3 <sub>0</sub> -P3 <sub>3</sub>	Port 3
57	63	INT1	External interrupt
59	1	P2 <sub>0</sub> /PSTB	Port 2, or port 1 STB signal, timer F/F output, internal CL output, and general purpose output
60	2	P2 <sub>1</sub> /PTOUT	
61	3	P2 <sub>2</sub> /PCL	
62	4	P2 <sub>3</sub>	
63	5	RESET	RESET input
64	6	PPO	PPG output

#### Note:

(1) This QUIP pin identification is also true for the shrink DIP and piggyback packages.

3

**Pin Identification (cont)**

**EPROM Socket on Piggyback QUIP**

No.	Symbol	Function
1	V <sub>DD</sub>	Unused
2	MSEL	Unused
3-10, 21, 23-25	A <sub>0</sub> -A <sub>11</sub>	Program counter output
11-13, 15-19	I <sub>0</sub> -I <sub>7</sub>	Data input from the 2732
14	V <sub>SS</sub>	Same as bottom pin 32; connected to 2732 GND pin
20	$\overline{CE}$	Chip enable output
22	V <sub>SS</sub>	Same as bottom pin 32; supplies $\overline{OE}$ signal to the 2732
26	V <sub>DD</sub>	Same as bottom pin 64; supplies V <sub>CC</sub> to the 2732
27, 28	V <sub>DD</sub>	Unused

**Pin Functions**

**P0<sub>0</sub>/INT0, P0<sub>1</sub>/ $\overline{SCK}$ , P0<sub>2</sub>/SO, P0<sub>3</sub>/SI (Port 0)**

This port can be configured as the 4-bit, parallel input port 0, or as the 8-bit serial I/O interface under control of the serial mode select register. The serial interface consists of the serial input (SI), serial output (SO), and serial clock ( $\overline{SCK}$ ) used for synchronizing data transfer. Line P0<sub>0</sub> is shared with external interrupt INT0, which is a rising edge-triggered interrupt.

**P1<sub>0</sub>-P1<sub>3</sub> (Port 1)**

Individual lines can be configured as a 4-bit input or as a latched, three-state output under control of the port 1 mode select register.

**P2<sub>0</sub>/ $\overline{PSTB}$ , P2<sub>1</sub>/PTOUT, P2<sub>2</sub>/PCL, P2<sub>3</sub> (Port 2)**

P2<sub>0</sub>-P2<sub>3</sub> are the 4-bit latched output port 2.  $\overline{PSTB}$  is the port 1 output strobe pulse. PTOUT is the timer-out F/F signal. PCL is the internal system clock output. P2<sub>3</sub> is a general purpose output.

**P3<sub>0</sub>-P3<sub>3</sub> (Port 3)**

4-bit, latched three-state output port 3.

**P4<sub>0</sub>-P4<sub>3</sub> (Port 4)**

4-bit latched three-state I/O port. Can perform 8-bit parallel I/O in conjunction with port 5.

**P5<sub>0</sub>-P5<sub>3</sub> (Port 5)**

4-bit latched three-state I/O port. Can perform 8-bit parallel I/O in conjunction with port 4.

**P6<sub>0</sub>-P6<sub>3</sub> (Port 6)**

Individual lines can be configured as a 4-bit input or as a latched, three-state output under control of the port 6 mode select register.

**EVENT**

1-bit external event input for the timer/event counter.

**S<sub>0</sub>-S<sub>7</sub>, T<sub>8</sub>/S<sub>8</sub>-T<sub>15</sub>/S<sub>15</sub>, T<sub>0</sub>-T<sub>7</sub>**

High voltage outputs. S<sub>0</sub>-S<sub>7</sub> are segment driver outputs, and T<sub>0</sub>-T<sub>7</sub> are digit driver outputs. T<sub>8</sub>/S<sub>8</sub>-T<sub>15</sub>/S<sub>15</sub> can be configured as either segment or digit driver outputs under control of the display mode select register.

**INT1**

External, rising edge triggered interrupt.

**PPO**

1-bit programmable pulse generator output. PPO can operate as the pulse width modulation output, the signal generator port, or as a 1-bit output port, as dictated by the PPG mode select register.

**RESET**

RESET input. R/C circuit or pulse initializes μPD7519/7519H and also releases stop or halt mode.

**X2, X1**

Crystal clock connection. A crystal oscillator circuit is connected to X1 and X2 for system clock operation. Or, an external clock may be connected to X1 and an inverted clock to X2.

**VPRE**

High voltage predriver supply. Apply single voltage from V<sub>DD</sub>-12 V to V<sub>DD</sub> for proper display operation.

**VLOAD**

High voltage option resistor supply negative. Apply single voltage from V<sub>DD</sub>-40 V to V<sub>DD</sub> for proper display operation. This pin is not used (NC) in the μPD75CG19/75CG19H.

**VDD**

Power supply positive. Apply single voltage ranging from 2.5 V to 6.0 V for proper operation.

**VSS**

Ground.

## Pin Functions, EPROM Socket

### A<sub>0</sub>-A<sub>11</sub> (Address)

Output the 12 bits of the program counter (PC<sub>0</sub>-PC<sub>11</sub>), which are the address signals of EPROM 2732.

### I<sub>0</sub>-I<sub>7</sub> (Data Input)

Input data from the 2732.

### $\overline{CE}$ (Chip Enable)

Outputs the chip enable signal to the 2732.

### V<sub>DD</sub> (Pin 1)

Electrically equivalent to V<sub>DD</sub> of the bottom pins. Provided for future devices. Use in the open condition.

### V<sub>DD</sub> (Pin 26)

Electrically equivalent to V<sub>DD</sub> of the bottom pins. Supplies V<sub>CC</sub> to the 2732.

### V<sub>DD</sub> (Pins 27, 28)

Electrically equivalent to V<sub>DD</sub> of the bottom pins. Do not use these pins.

### V<sub>SS</sub> (Pin 22)

Electrically equivalent to V<sub>SS</sub> of the bottom pins. Supplies  $\overline{OE}$  signal to the 2732.

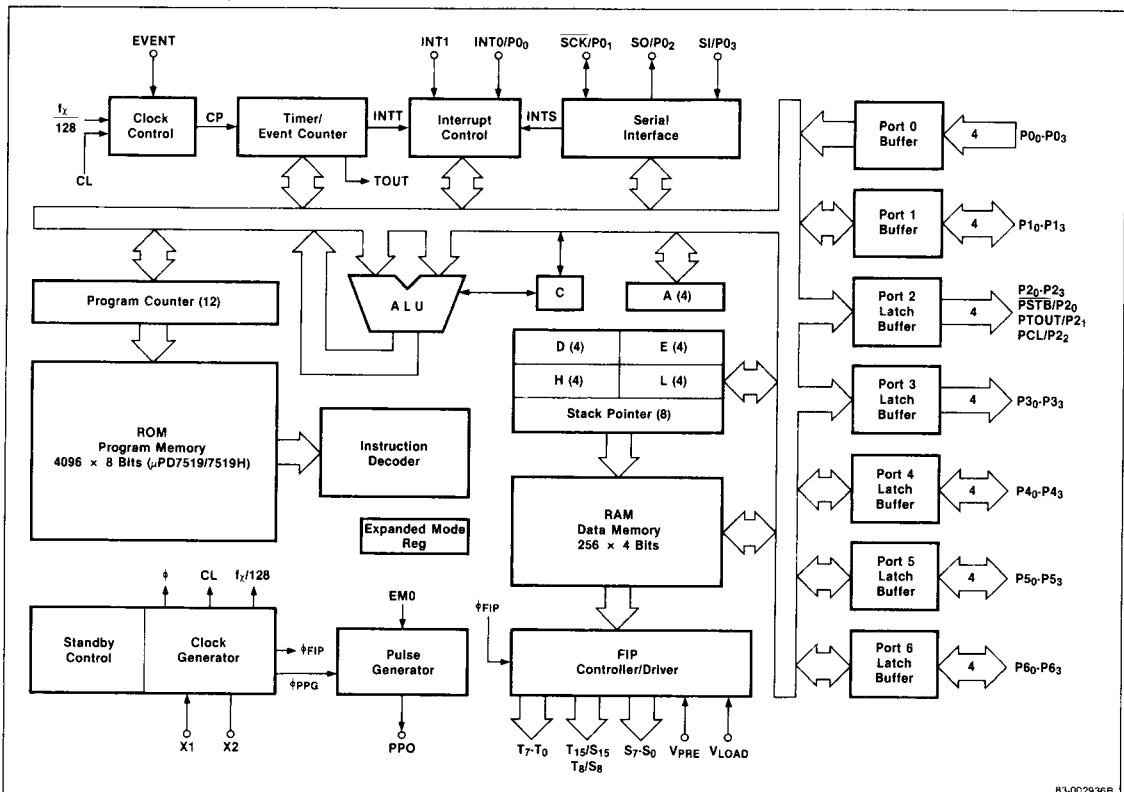
### V<sub>SS</sub> (Pin 14)

Electrically equivalent to V<sub>SS</sub> of the bottom pins. Connected to 2732 GND pin.

### MSEL

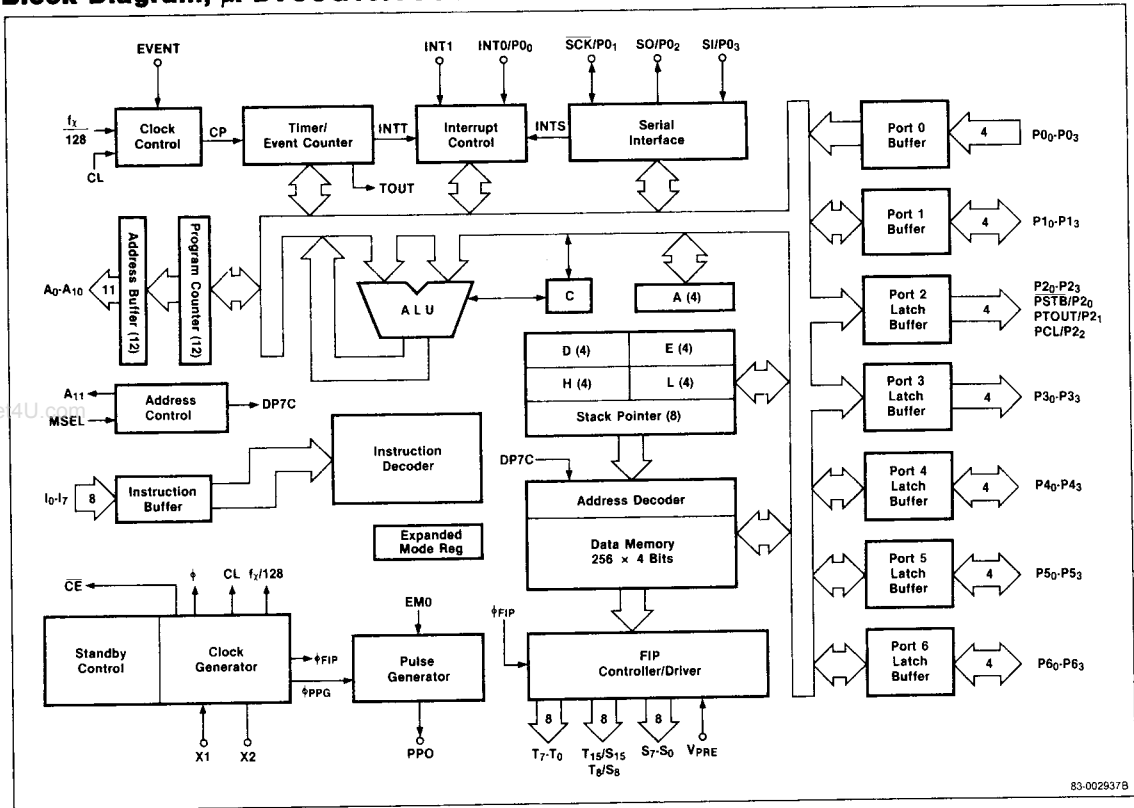
Provided for future devices. Use in the open condition.

## Block Diagram, μPD7519/7519H



83-002936B

**Block Diagram, μPD75CG19/75CG19H**



83-002937B

## Functional Description

### Program Memory (ROM), 4096 Words × 8 Bits

This mask programmable memory is addressed by the program counter (PC), and is used to store programs and table data. See figure 1.

### General Purpose Registers

Four 4-bit general purpose registers (D, E, H, L) may be paired as follows for 8-bit operations: DE, HL, and DL. These 8-bit register pairs are commonly used as pointers to memory locations. When using the HL register pair as a data pointer, auto-increment and -decrement of the L register may be specified.

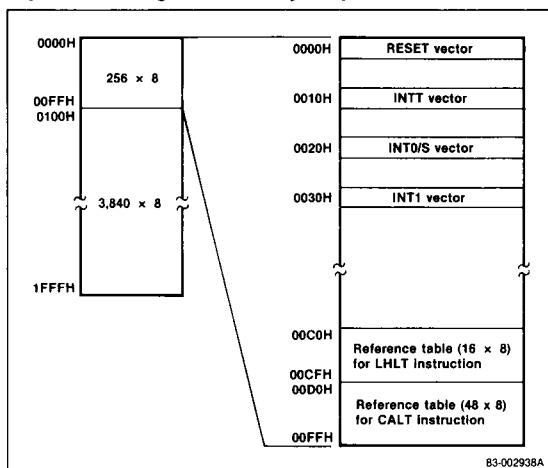
### Data Memory (RAM), 256 Words × 4 Bits

This static RAM is used to store display and operation data. It may also function with the accumulator (A) for 8-bit data processing.

There are three types of data memory addressing:

- Direct. Address designation is made on the second byte of the instruction.
- Register indirect. Address designation is made by the contents of a register pair designated by the instruction.
- Stack. Indirect address designation is made by the contents of the stack pointer (SP).

Figure 1. Program Memory Map



Data memory addresses are from 00H to 0FFH. The first 64 locations are pre-assigned as display data for the FIP display (00H to 03BH) and the programmable pulse generator (PPG) modulo section (03CH to 03FH). When display data is written in 00H-03BH, the FIP controller/driver automatically reads it and generates drive signals for the FIP. See figure 2.

Addresses 00H-03FH cannot be accessed by stack operations. RAM locations 40H-0FFH can be used as a stack area addressed by the SP. This data memory area is used when executing call or return instructions (CALL, CALT, RT, RTS, RTSPW), push/pop instructions (PSHDE, PSHHL, POPDE, POPHL), and when answering an interrupt.

When executing a call instruction or interrupt occurrence with interrupts enabled, the contents of the PC and program status word (PSW) are stored in the stack area. A push instruction stores the contents of DE or HL in the stack area. See figure 3.

Figure 2. Data Memory Map

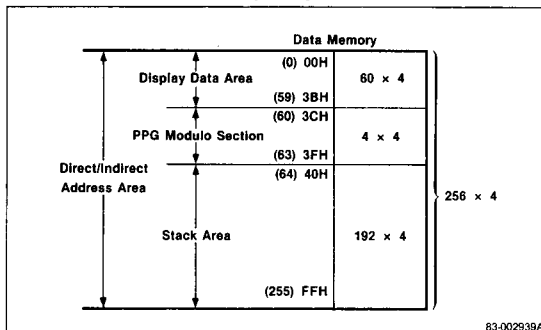
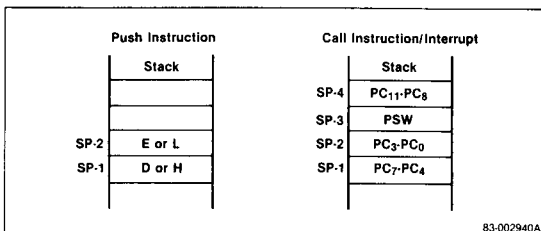


Figure 3. Push, Call, Interrupt



### Clock Generator

The system clock generator consists of a crystal oscillator, a frequency divider, and a standby (stop/halt) mode control circuit, as shown in figure 4. When an external crystal is connected to X1 and X2, the crystal oscillator generates the  $f_{xx}$ . (The notation ' $f_{xx}$ ' is used when referring to crystal oscillation; ' $f_x$ ' is used when an external clock is input.) It is also possible to obtain a clock by inputting an external clock into X1 and an inverted clock to X2.

The frequency divider divides the output of the crystal oscillator into four frequencies, as follows:

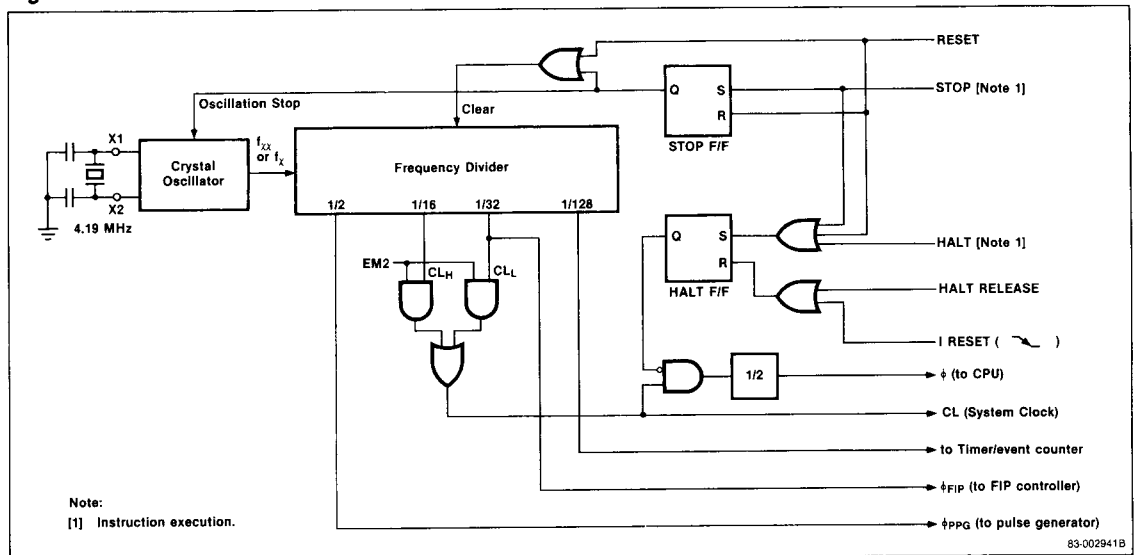
- 1/2 (pulse generator clock, PPG)
- 1/8 (system clock, CLH) μPD7519H only
- 1/16 (system clock, CLH) μPD7519 only
- 1/32 (system clock, CLL; and FIP controller clock, FIP)
- 1/128 (timer/event counter clock)

The system clock (CL) may be 1/8 (μPD7519H), 1/16 (μPD7519) or 1/32 frequency-divided, depending on the state of expansion mode register bit 2 (EM<sub>2</sub>). EM<sub>2</sub> = 1 selects 1/8 (μPD7519H) and 1/16 (μPD7519), and EM<sub>2</sub> = 0 selects 1/32. CL is supplied to all circuits except

the FIP controller and PPG, which use the  $f_{xx} \times 1/32$  and  $f_{xx} \times 1/2$ , respectively. CL is 1/2 frequency divided to supply the CPU ( $\phi$ ) clock. CL is an input to the clock control circuitry used to generate the clock pulse (CP) used by the timer/event counter.

The standby mode control circuit consists mainly of the stop and halt flip-flops. The stop flip-flop, when set, stops the crystal oscillator. There is no input to the frequency divider, so no clocks are output to the μPD7519/7519H circuitry. The STOP instruction sets the stop flip-flop, and RESET clears it. The halt flip-flop, when set, inhibits the input to the 1/2 frequency divider that generates  $\phi$ , thereby stopping  $\phi$ . A HALT or STOP sets this flip-flop; it is reset by the RELEASE signal (generated when an interrupt flag is set) or at the falling edge of the internal reset (IRESET) signal. (IRESET is released after a waiting time following the release of the external RESET input.)

Figure 4. Clock Generator Circuit



Note:  
[1] Instruction execution.

83-002941B



## Clock Control Circuit

This circuit consists of a 4-bit clock mode register (CM<sub>0</sub>-CM<sub>3</sub>), three prescalers, and a multiplexer, as shown in figure 5. The circuit generates the clock pulse (CP) input to the timer/event counter from the following inputs:

- System clock (CL)
- 1/128 divided clock from the crystal oscillator (f<sub>xx</sub>/128)
- External EVENT pulse

Bits CM<sub>0</sub>-CM<sub>2</sub> determine the clock input selection and divide ratio. CM<sub>3</sub> gates the output of a timer out signal from the PTOUT (P2<sub>1</sub>) pin. When CM<sub>3</sub> = 1, output from the timer out flip-flop (TOU) is output to P2<sub>1</sub>. Executing an OP or OPL instruction loads the clock mode register.

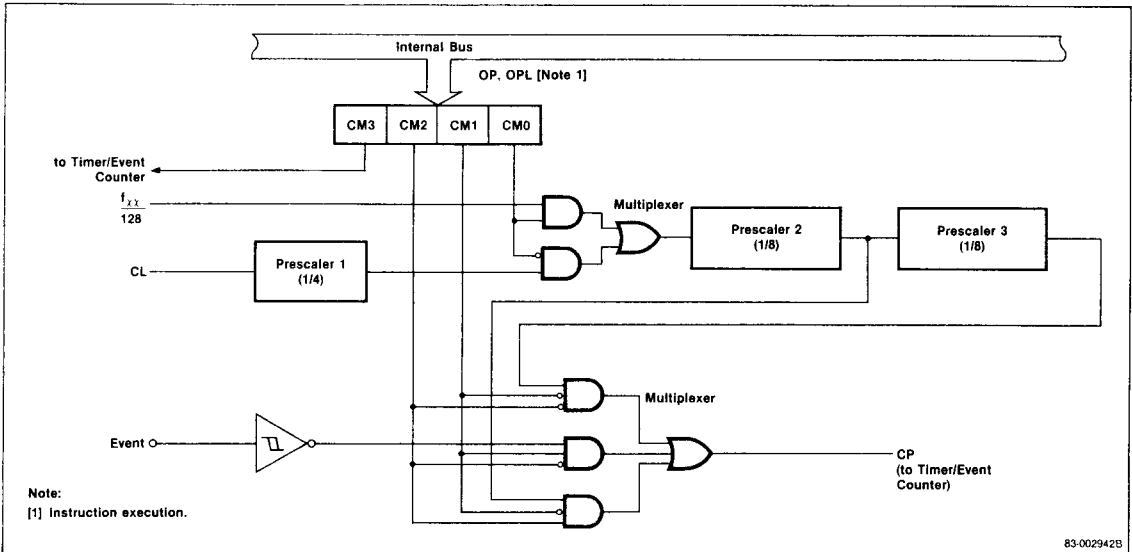
The format of the clock mode register is shown in figure 6.

Figure 6. Clock Mode Register

Clock Mode Register				
CM3	CM2	CM1	CM0	
0	0	0	0	CL × $\frac{1}{256}$
0	0	1	0	f <sub>x</sub> × $\frac{1}{8192}$ or f <sub>xx</sub> × $\frac{1}{8192}$
0	1	0	0	EVENT input
0	1	1	0	CL × $\frac{1}{32}$
1	0	0	0	f <sub>x</sub> × $\frac{1}{1024}$ or f <sub>xx</sub> × $\frac{1}{1024}$
1	0	1	0	f <sub>x</sub> × $\frac{1}{1024}$ or f <sub>xx</sub> × $\frac{1}{1024}$
1	1	0	0	Inhibit
1	1	1	0	Inhibit
CM3	Designation of Timer Out F/F Output			
0	Stop			
1	Output			

83-002943A

Figure 5. Clock Control Circuit



### Timer/Event Counter

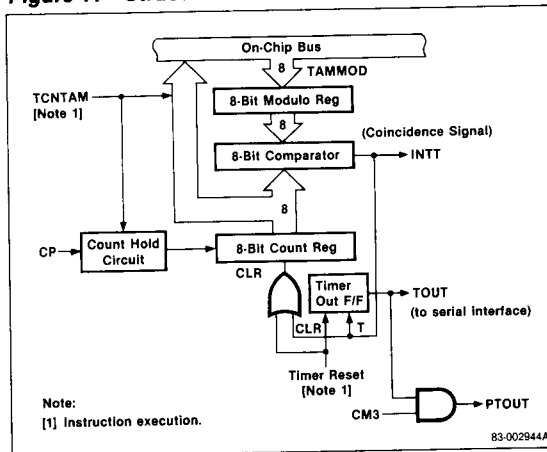
This counter consists of an 8-bit count register, an 8-bit modulo register, an 8-bit comparator, and a timer-out flip-flop, as shown in figure 7.

The 8-bit count increments at every rising edge of the clock pulse (CP). Executing the TIMER instruction, a RESET input, or a coincidence signal from the comparator clears it to 0.

The modulo register determines the INTT signal interval. The contents of this register are set via the TAMMOD instruction. RESET sets the contents to OFFH.

The timer-out flip-flop inverts with every INTT signal output from the comparator. Its output, TOUT, can be sent to the PTOU pin when bit 3 (CM<sub>3</sub>) of the clock mode register is set. TOUT may also be used as a serial clock source to the serial interface.

Figure 7. Structure of the Timer/Event Counter



### Serial Interface

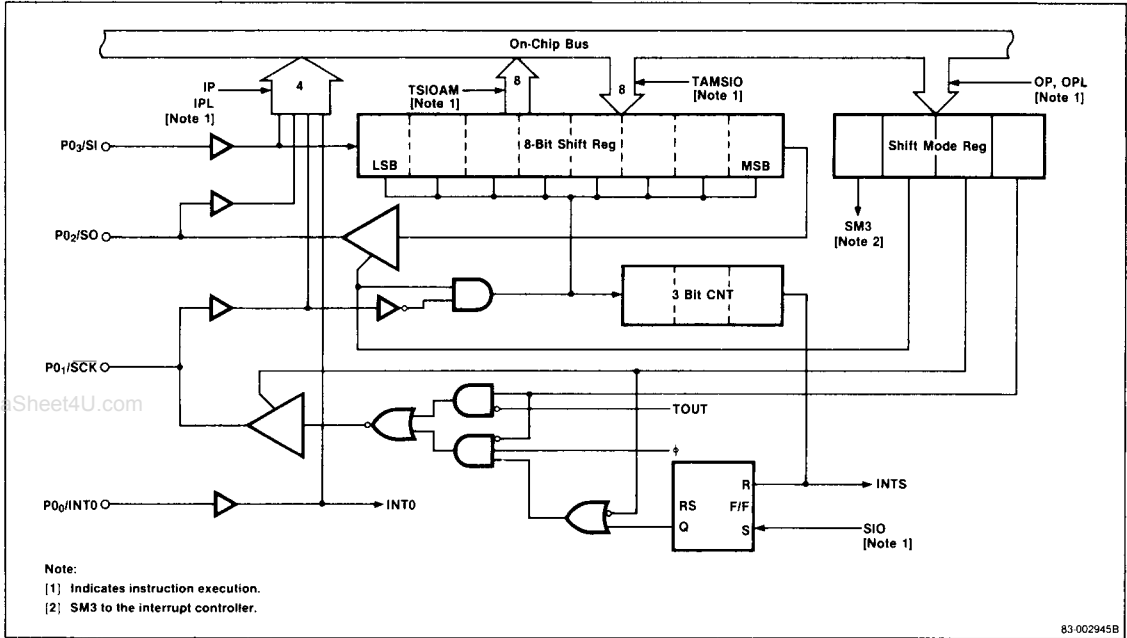
The serial interface, used for serial data I/O, consists of an 8-bit shift register, a 4-bit shift mode register, and a 3-bit counter, as shown in figure 8. Figure 9 shows the serial shift timing.

The serial clock ( $\overline{SCK}$ ) controls the serial data communication rate. An 8-bit byte clocks into the serial input (SI) port or out of the serial output (SO) port starting with the MSB. Data transmission occurs synchronously with the falling edge of  $\overline{SCK}$ . Data reception occurs synchronously with the rising edge of  $\overline{SCK}$ .

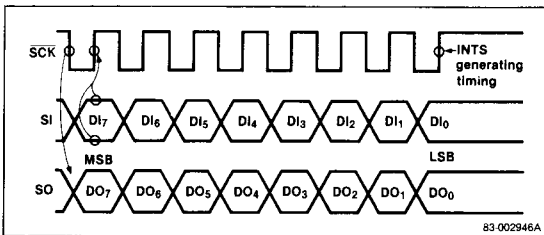
The 3-bit counter counts the number of serial clock pulses. When a byte of serial data is transferred, an internal interrupt signal (INTS) is generated. Selecting INTS (setting SM<sub>3</sub> of the shift mode register to 0) sets the interrupt request flag, INT0/S RQF.

The end of transfer of each byte can also be verified by testing INTS RQF with the SKI instruction instead of interrupt processing.

**Figure 8. Serial Interface Block Diagram**



**Figure 9. Serial Shift Timing**



the internal serial interrupt INTS. Selection of the interrupt is programmable and depends on the application.

**Table 1. SCK Frequencies**

f <sub>xx</sub>	Low Speed Mode	High Speed Mode
6.55 MHz	102.4 kHz	409.6 kHz (μPD7519H)
4.19 MHz	65.5 kHz	262 kHz (μPD7519H)
4.19 MHz	65.6 kHz	131 kHz (μPD7519)

### CPU Clock (φ)

When the SIO instruction executes, eight CPU clock pulses (φ) are supplied to the serial interface for the serial clock and output from SCK. After the eighth clock, SCK is fixed high level, automatically stopping serial data I/O after one byte has transferred.

SCK does not have to be software controlled. Its transfer rate is determined by the frequency of φ. See table 1.

### Interrupt Function

There are two external and two internal interrupts, with the specifications listed in table 2. The external interrupt INT0 uses the P0<sub>0</sub> port pin as the interrupt signal input, and has the same interrupt process as

**Table 2. Interrupt Specifications**

Source	Int/Ext	Priority	Vector Address
INTT (coincidence signal from timer/event counter)	int	1	10H(16)
INT0 (interrupt signal from P0 <sub>0</sub> terminal)	ext	2	20H(32)
INTS (end of transfer signal from serial interface)	int	2	20H(32)
INT1 (interrupt signal from INT1 terminal)	ext	3	30H(48)

### Interrupt Sequence

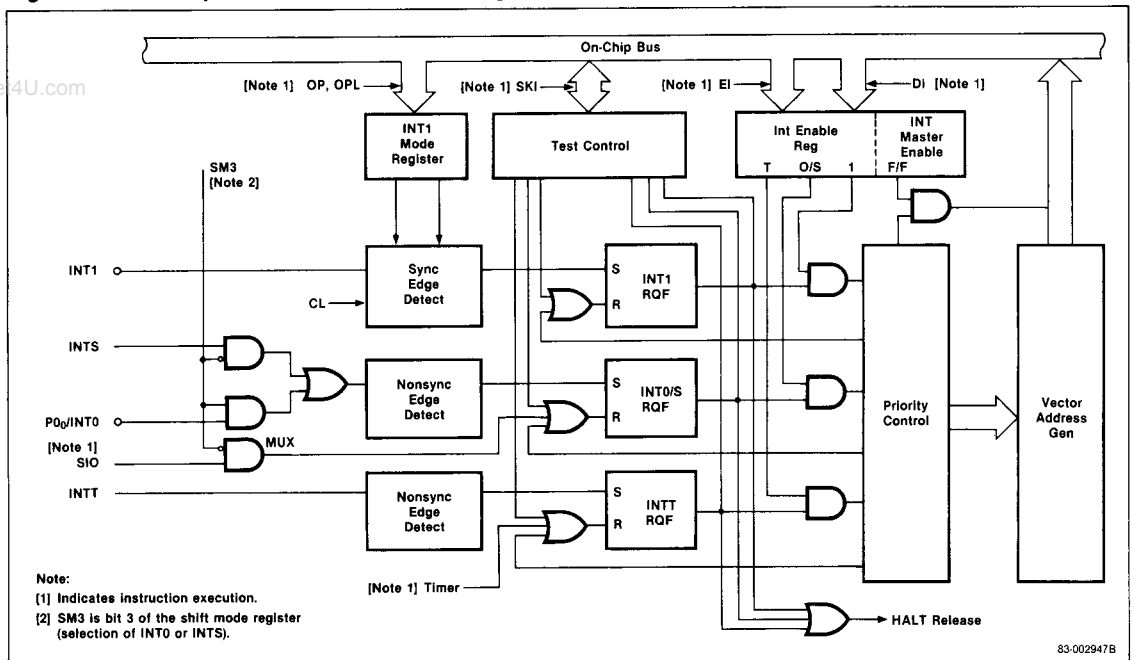
When an interrupt goes active, the following occur:

- A corresponding interrupt request flag is set.
- The interrupt master enable flip-flop is reset.
- The contents of the PC and PSW are saved in the stack.
- An interrupt start address is generated and jumped to.
- The interrupt request flag set by the interrupt is reset.

Two machine cycles are required for interrupt execution, one for saving the return address and one for jumping to the interrupt start address. If several interrupts occur simultaneously, all respective request flags are set, and the interrupt with the highest priority is processed. The remaining interrupts are pending until serviced by reenabling the master interrupt flip-flop or until their interrupt request flags are reset by executing a SKI instruction.

Figure 10 is a block diagram of the interrupt control circuit.

Figure 10. Interrupt Control Circuit Block Diagram



www.DataSheet4U.com

## FIP Controller/Driver

The FIP controller/driver consists of 60 4-bit nibbles of display memory (000-03BH of data RAM), a 4-bit display mode register (DM<sub>3</sub>-DM<sub>0</sub>), a 4-bit timing mode register (TM<sub>3</sub>-TM<sub>0</sub>), a 4-bit blanking mode register (BM<sub>3</sub>-BM<sub>0</sub>), an output selector, and a high voltage output driver. See figure 11.

The FIP controller/driver has 24 outputs for directly driving a high voltage vacuum fluorescent display:

- 8 segment signal outputs (S<sub>0</sub>-S<sub>7</sub>)
- 8 timing signal (grid) outputs (T<sub>0</sub>-T<sub>7</sub>)
- 8 timing or segment outputs (T<sub>8</sub>/S<sub>8</sub>-T<sub>15</sub>/S<sub>15</sub>)

The content of the display mode register determines which of five display modes is available to the user.

The modes are as follows:

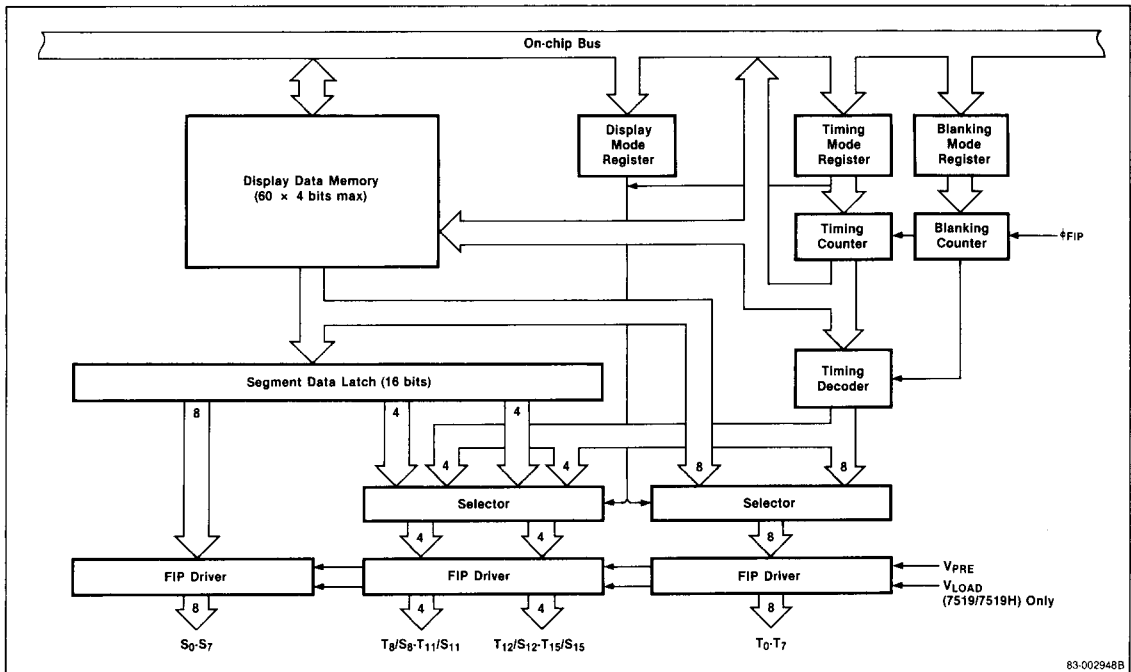
- Static mode
  - 24 static output
- Dynamic mode
  - 8 segment mode
  - 12 segment mode I
  - 12 segment mode II
  - 16 segment mode

The content of the timing mode register determines the number of display digits (1-16), and controls the number of timing signals (T<sub>0</sub>-T<sub>15</sub>) output. Timing signals drive the grids of vacuum fluorescent display tubes. The voltage on the grid will determine the brightness of a digit (made up of one or more segments) or if the digit will be turned on or off.

The width of the timing signal pulse can be adjusted at eight independent steps by the value loaded into the blanking mode register. This function is useful for dimming control and for preventing display cross-talk of adjacent digits.

The active level of the timing signal can be designated high or low by bit DM<sub>3</sub>.

Figure 11. FIP Controller/Driver Block Diagram



83-002948B

### Display Mode Register (DM)

This 4-bit write-only register (DM<sub>3</sub>-DM<sub>0</sub>) determines the display mode (dynamic, static, and off) of the FIP controller/driver. It also determines the active level of the display timing signals. This is shown in figure 12.

The DM register has an output address of 0BH and is accessed by the output instructions OP and OPL when bit EM<sub>3</sub> of the expansion mode register is set. The DM register is cleared by a RESET.

Figure 13 shows a display example in 12 segment mode I.

Figure 12. Display Mode Register Format

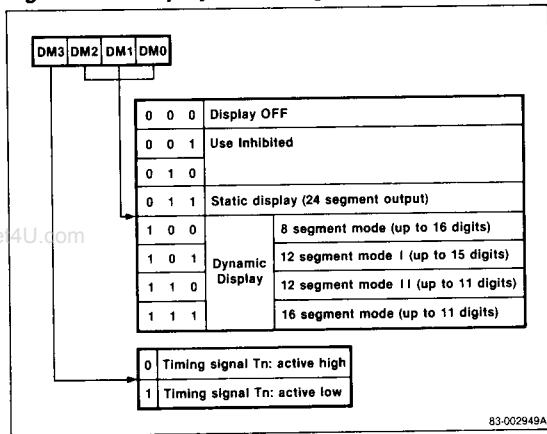
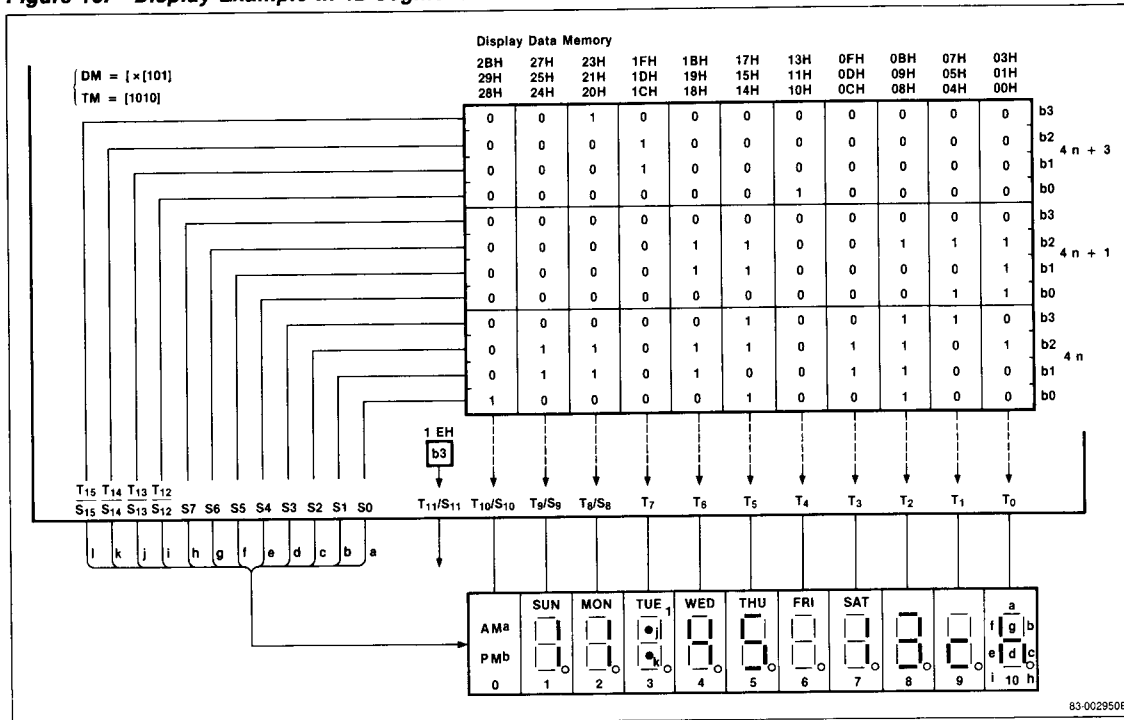


Figure 13. Display Example in 12 Segment Mode I



## Standby Function

Two standby modes, stop and halt, hold device power consumption to a minimum. Stop mode is entered via the STOP instruction, and halt mode is entered via the HALT instruction. In stop mode, all clocks are stopped. In halt mode, only the CPU clock ( $\phi$ ) is stopped.

Stop mode can only be released by a RESET. Halt mode may be released either by a RESET or by the setting of an interrupt request flag.

## Stop Mode

In stop mode, the contents of memory are retained, and all other functions are stopped. RESET releases stop mode.

In stop mode, the X1 input is internally shorted to  $V_{SS}$  in order to hold the crystal oscillator leakage to a minimum. A system using stop mode cannot use an external clock.

## Halt Mode

When no interrupt flags are set, the HALT instruction causes the device to enter halt mode. In this mode, only  $\phi$  stops; all other clocks continue to operate. The following functions continue to operate:

- Clock oscillation
- Frequency division and output of clocks other than  $\phi$
- Event input
- Timer/event counter
- Serial interface (except when  $\phi$  is used as SCK)
- FIP controller/driver
- PPG
- Interrupts (INT0, INTS, INTT, INT1)
- RESET

Since a set interrupt flag releases the device from halt mode, this mode cannot be entered if an interrupt request flag is set. It is therefore necessary to reset the request flag(s) either by answering the interrupt(s) (setting the interrupt master enable F/F and process interrupt) or by executing the SKI instruction.

In halt mode, CPU power consumption is eliminated. To hold power consumption to a minimum, all unnecessary circuits should be inactive and the steps below should be taken:

- Set the system clock (CL) to low speed
- Set the FIP controller/driver to the off mode
- Set the PPG for static operation
- Stop  $\overline{SCK}$  input

## Low Supply Voltage Data Retention (μPD7519/7519H only)

Data retention is possible with  $V_{DD}$  as low as 2 V.  $V_{DD}$  should be lowered after the device is put in stop mode, and while RESET is inactive. Stop mode cannot be released in low voltage data retention mode;  $V_{DD}$  should first be raised to normal operation.

## Release of Stop Mode

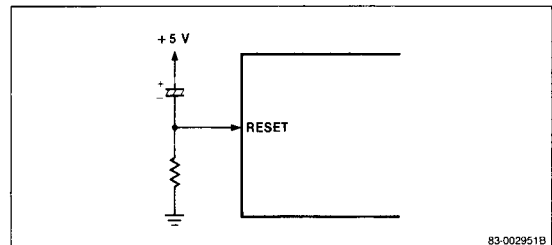
RESET releases stop mode. On RESET's rising edge, the device mode changes to halt mode, starting clock oscillation. At the falling edge of RESET, a waiting time (about 62.5 ms/4.19 MHz, 40 ms/6.55 MHz) elapses, allowing for stabilization of crystal operation, following which halt mode is released. After normal RESET operation, the CPU begins program execution from address 0000H.

In the release operation, the contents of data memory are retained while the contents of other registers become undefined.

## Power-on Reset Circuit

An example of the simplest power-on reset circuit using a resistor and capacitor is shown in figure 14.

**Figure 14. Power-on Reset Circuit**



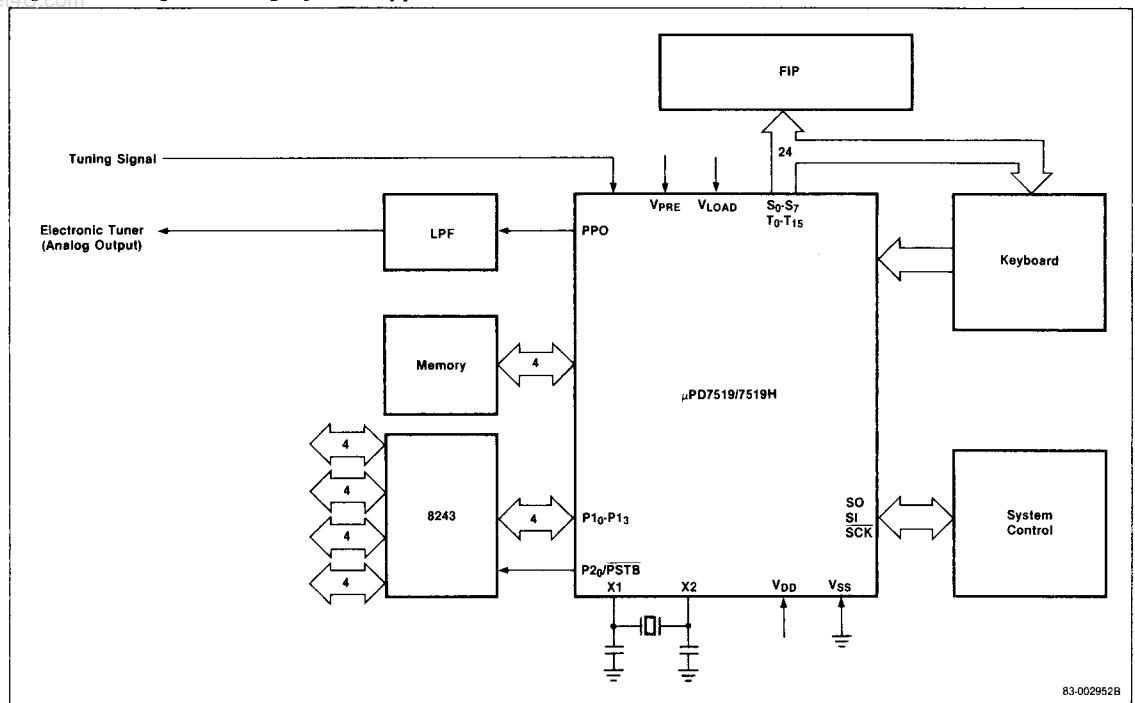
**Application**

The μPD7519/7519H has a variety of flexible powerful functions and is best suited for the following applications:

- Video tape recorders
- Plain paper copiers
- Electronic cash registers
- Telephone sets
- Electronic scales
- Automobiles

Figures 15-18 show how to apply the device to a digital tuning system, a telephone, an ECR, and automotive equipment.

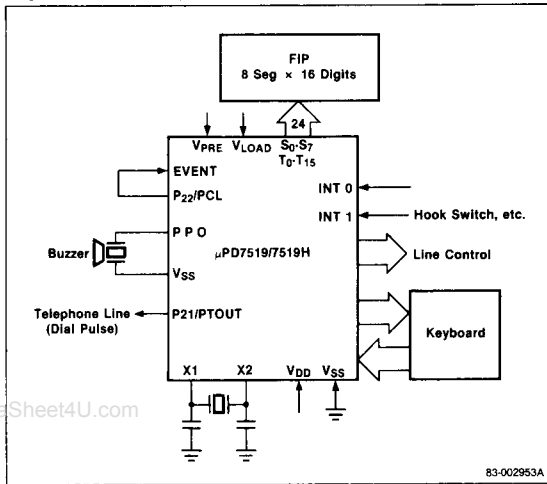
**Figure 15. Digital Tuning System Application**



83-002952B

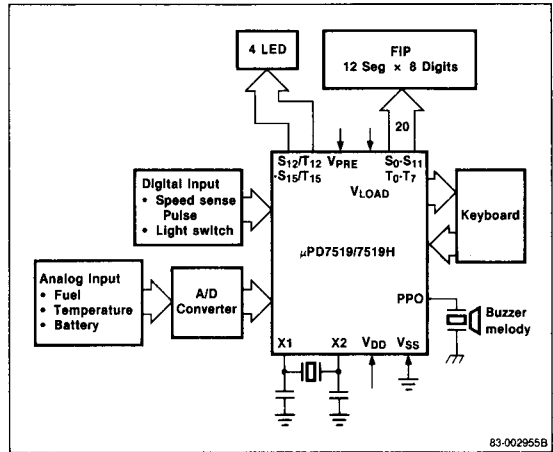


**Figure 16. Telephone Application**



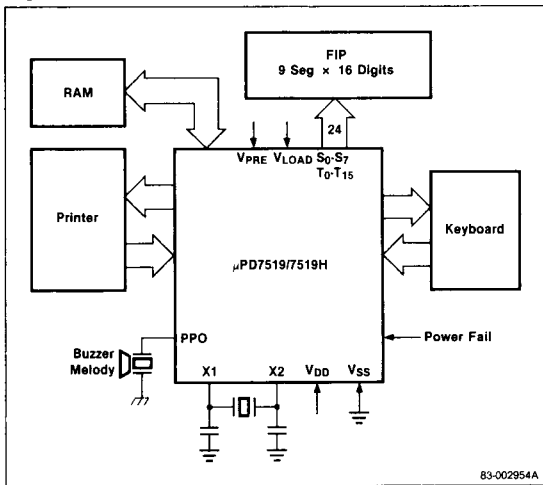
83-002953A

**Figure 18. Automotive Equipment Application**



83-002955B

**Figure 17. ECR Application**



83-002954A

**Absolute Maximum Ratings**

T<sub>A</sub> = 25°C

Supply voltages, V <sub>DD</sub>	-0.3 V to +7 V
V <sub>LOAD</sub> (μPD7519/7519H)	(V <sub>DD</sub> - 40) to (V <sub>DD</sub> + 0.3)
V <sub>PRE</sub>	(V <sub>DD</sub> - 12) to (V <sub>DD</sub> + 0.3)
Input voltage, V <sub>I</sub>	-0.3 V to (V <sub>DD</sub> + 0.3)
Output voltage, Display outputs, V <sub>O</sub>	(V <sub>DD</sub> - 40) to (V <sub>DD</sub> + 0.3)
Other outputs, V <sub>OD</sub>	-0.3 V to (V <sub>DD</sub> + 0.3)
Output current high, I <sub>OH</sub>	
Per pin, other than display outputs	-15 mA
Per pin, S <sub>0</sub> -S <sub>7</sub>	-15 mA
Per pin, T <sub>0</sub> -T <sub>7</sub> , T <sub>8</sub> /S <sub>8</sub> -T <sub>15</sub> /S <sub>15</sub>	-30 mA
Total, display outputs, μPD7519/7519H	-120 mA
Display outputs, μPD75CG19/75CG19H	-90 mA
Total, other than display outputs	-20 mA
Output current low, I <sub>OL</sub>	
Per pin	17 mA
Total, all output ports	60 mA
Total power consumption (1), PT	400 mW
Plastic flat package (μPD7519/7519H)	
Plastic QUIP, (μPD7519/7519H)	600 mW
Operating temperature, T <sub>OP</sub> T	-10°C to +70°C
Storage temperature, T <sub>STG</sub>	-65°C to +150°C

**Comment:** Exposing the device to stresses above those listed in Absolute Maximum Ratings could cause permanent damage. The device is not meant to be operated under conditions outside the limits described in the operational sections of this specification. Exposure to absolute maximum rating conditions for extended periods may affect device reliability.

**Note:**

(1) Calculation of PT: There are three kinds of power consumption, the total of which should be less than the total power consumption (PT) in this specification. Use of less than 80% of PT is recommended. The three different power consumptions are as follows:

1. CPU power consumption. V<sub>DD</sub>(max) × I<sub>DD1</sub>(max)
2. Power consumption of output pins. This includes both normal output and display output. Calculate the total consumption of each output pin to which the maximum current flows.
3. Power consumption of on-chip pull-down resistors (mask option).

**Example**

Configuration:

9 segments × 11 digits, 4 LED outputs  
 V<sub>DD</sub> = 5 V ± 10%, 4.19 MHz oscillation  
 Segment pin = 5 mA (max)  
 Timing pin = 15 mA (max)  
 LED output pin = 10 mA (max)  
 Vacuum fluorescent display (V<sub>LOAD</sub>) = -30 V

Consumption:

- (1) CPU  
 5.5 V × 2.0 mA = 11 mW
  - (2) Output pins  
 Segment pins: (5/7 × 2 V) × 5 mA × 9 = 64 mW  
 Timing pins: 2 V × 15 mA = 30 mW  
 LED output pins: (10/15 × 2 V) × 10 mA × 4 = 53 mW
  - (3) Pull-down resistors  
 (30 + 5.5 V)<sup>2</sup>/80 kΩ × 10 = 158 mW
- Therefore, PT = (1) + (2) + (3) = 316 mW

## Capacitance

T<sub>A</sub> = 25°C; V<sub>DD</sub> = 0 V

Parameter	Symbol	Limits			Unit	Test Conditions
		Min	Typ	Max		
Input capacitance	C <sub>I</sub>			15	pF	f <sub>C</sub> = 1 MHz Unmeasured pins are connected to 0 V
Output capacitance, Display outputs Other outputs	C <sub>O</sub>			35	pF	
				15	pf	
I/O capacitance	C <sub>I/O</sub>			15	pF	

## Operating Supply Voltages

T<sub>A</sub> = -10°C to +70°C

Parameter	Limits			Unit	Test Conditions
	Min	Max	Unit		
CPU (1) μPD7519/ 75CG19	4.0	6.0	V	f <sub>x</sub> = 0.4 MHz to 4.2 MHz f <sub>xx</sub> = 3.5 MHz to 4.2 MHz	High speed mode, EM2=1
	2.5	6.0	V		
CPU (1) μPD7519H/ 75CG19H	4.5	6.0	V	f <sub>x</sub> , f <sub>xx</sub> = 4.2 MHz to 6.6 MHz	High speed mode, EM2=1
	4.0	6.0	V		
	4.5	6.0	V	f <sub>x</sub> , f <sub>xx</sub> = 4.2 MHz to 6.6 MHz	Low speed mode, EM2=0
	2.5	6.0	V		
Crystal oscillation circuit (2) μPD7519/ 75CG19	2.7	6.0	V	C <sub>1</sub> = 10 pF C <sub>2</sub> ≤ 10 pF	Crystal Oscillator
	2.85	6.0	V		
	2.5	6.0	V		External clock
Crystal oscillation circuit (2) μPD7519H/ 75CG19H	4.5	6.0	V	f <sub>xx</sub> = 4.2 MHz to 6.6 MHz C <sub>1</sub> = 10 pF, C <sub>2</sub> ≤ 10 pF	Crystal Oscillator
	2.7	6.0	V		
	2.85	6.0	V	C <sub>1</sub> = 10 pF, C <sub>2</sub> ≤ 22 pF f <sub>xx</sub> = 3.5 MHz to 4.2 MHz	External clock
	2.6	6.0	V		
Display controller	4.0	6.0	V		
PPG	4.0	6.0	V		
Port 1	2.5	6.0	V	Port output mode	
	4.0	6.0	V	I/O expander mode	

### Note:

- (1) Except the crystal oscillation circuit, display controller, PPG, and port 1.
- (2) The circuits in figures 19 and 20 are recommended.

**DC Characteristics**

T<sub>A</sub> = -10°C to +70°C

μPD7519/7519H: V<sub>DD</sub> = 2.5 V to 6 V; μPD75CG19/75CG19H: V<sub>DD</sub> = 5 V ± 10%

Parameter	Symbol	Limits			Unit	Test Conditions
		Min	Typ	Max		
Input voltage high	V <sub>IH1</sub>	0.7 V <sub>DD</sub>		V <sub>DD</sub>	V	Other than X1, X2
	V <sub>IH2</sub>	V <sub>DD</sub> - 0.4		V <sub>DD</sub>	V	X1, X2 (1)
Input voltage low	V <sub>IL1</sub>	0		0.3 V <sub>DD</sub>	V	Other than X1, X2
	V <sub>IL2</sub>	0		0.4	V	X1, X2 (1)
Output voltage high	V <sub>OH</sub>	V <sub>DD</sub> - 1.0			V	V <sub>DD</sub> = 5 V ± 10%, I <sub>OH</sub> = -1 mA
		V <sub>DD</sub> - 0.5			V	μPD7519/19H only, I <sub>OH</sub> = -100 μA
Output voltage low	V <sub>OL</sub>		0.4		V	V <sub>DD</sub> = 5 V ± 10%, I <sub>OL</sub> = 1.6 mA;
			0.5		V	μPD7519/19H only, I <sub>OL</sub> = 400 μA
Input leakage current high	I <sub>LIH1</sub>			3	μA	V <sub>I</sub> = V <sub>DD</sub> ; other than X1, X2
	I <sub>LIH2</sub>			20	μA	V <sub>I</sub> = V <sub>DD</sub> ; X1, X2
Input leakage current low	I <sub>LIL1</sub>			-3	μA	V <sub>I</sub> = 0 V; other than X1, X2
	I <sub>LIL2</sub>			-20	μA	V <sub>I</sub> = 0 V; X1, X2
Input leakage current	I <sub>IL</sub>			-200	μA	μPD75CG19H only V <sub>I</sub> = 0 V, I <sub>0</sub> - I <sub>7</sub>
Output leakage current high	I <sub>LOH</sub>			3	μA	V <sub>O</sub> = V <sub>DD</sub>
Output leakage current low	I <sub>LOL1</sub>			-3	μA	V <sub>O</sub> = 0 V; other than display outputs
	I <sub>LOL2</sub>			-10	μA	V <sub>O</sub> = V <sub>LOAD</sub> = V <sub>DD</sub> - 35 V; display outputs
Display output current	I <sub>OD</sub>	-7			mA	S <sub>0</sub> -S <sub>7</sub> V <sub>PRE</sub> = V <sub>DD</sub> - 9 V ± 1 V <sup>(2)</sup>
		-4			mA	μPD75CG19/75CG19H V <sub>OD</sub> = V <sub>DD</sub> - 2 V V <sub>DD</sub> = 4 V to 6 V
		-15			mA	T <sub>0</sub> -T <sub>15</sub>
		-10			mA	μPD75CG19/75CG19H
		-3			mA	S <sub>0</sub> -S <sub>7</sub> V <sub>PRE</sub> = 0 V
		-2			mA	μPD75CG19/75CG19H V <sub>OD</sub> = V <sub>DD</sub> - 2 V V <sub>DD</sub> = 4 V to 6 V
		-7			mA	T <sub>0</sub> -T <sub>15</sub>
				-5	mA	μPD75CG19/75CG19H
On-chip pull-down resistance, μPD7519	R <sub>L</sub>	80	140	220	kΩ	V <sub>OD</sub> - V <sub>LOAD</sub> = 35 V
On-chip pull-down resistance, μPD7519H	R <sub>L</sub>	40	70	120	kΩ	V <sub>OD</sub> - V <sub>LOAD</sub> = 35 V

www.DataSheet4U.com

## DC Characteristics (cont)

T<sub>A</sub> = -10°C to +70°C

μPD7519/7519H: V<sub>DD</sub> = 2.5 V to 6 V; μPD75CG19/75CG19H: V<sub>DD</sub> = 5 V ± 10%

Parameter	Symbol	Limits			Unit	Test Conditions
		Min	Typ	Max		
Supply current, μPD7519 (3)	I <sub>DD1</sub>	600	2000	μA	High speed V <sub>DD</sub> = 5 V ± 10% 4.19 MHz crystal C1 = C2 = 10 pF	
		200	700	μA	Low speed V <sub>DD</sub> = 3 V ± 10%	
	I <sub>DD2</sub>	260	800	μA	Low speed halt mode V <sub>DD</sub> = 5 V ± 10%	
		120	400	μA	Low speed halt mode V <sub>DD</sub> = 3 V ± 10%	
	I <sub>DD3</sub>	0.1	10	μA	Stop mode	
	Supply current, μPD75CG19 (3)	I <sub>DD1</sub>	700	2000	μA	High speed 4.19 MHz crystal C1 = C2 = 10 pF
I <sub>DD2</sub>		350	800	μA	Low speed halt mode V <sub>DD</sub> = 5 V ± 10%	
Supply current, μPD7519H (3)	I <sub>DD1</sub>	2.0	6.0	mA	High speed 6.55 MHz crystal	
		0.6	1.9	mA	Halt mode C1 = C2 = 10 pF V <sub>DD</sub> = 5 V ± 10	
	I <sub>DD1</sub>	1.3	4.0	mA	High speed 4.19 MHz crystal V <sub>DD</sub> = 5 V ± 10% C1 = C2 = 10 pF	
		250	800	μA	Low speed V <sub>DD</sub> = 3 V ± 10%	
	I <sub>DD2</sub>	450	1500	μA	Low speed halt mode V <sub>DD</sub> = 5 V ± 10%	
		150	400	μA	Low speed halt mode V <sub>DD</sub> = 3 V ± 10%	
	I <sub>DD3</sub>	0.1	20	μA	V <sub>DD</sub> = 5 V ± 10% Stop mode	
		0.1	10	μA	V <sub>DD</sub> = 3 V ± 10%	
	Supply current, μPD75CG19H (3)	I <sub>DD1</sub>	1.2	3.6	mA	High speed V <sub>DD</sub> = 5 V ± 10% 6.55 MHz crystal C1 = C2 = 10 pF
			1.0	3.0	mA	High speed halt mode V <sub>DD</sub> = 4.75 to 5.5 V 4.19 MHz crystal C1 = C2 = 10 pF
I <sub>DD2</sub>		350	1000	μA	Low speed halt mode V <sub>DD</sub> = 5 V ± 10% 4.19 MHz crystal C1 = C2 = 10 pF	
I <sub>DD3</sub>		20	μA	V <sub>DD</sub> = 5 V ± 10% Stop mode		

### Note:

- (1) The circuits in figures 19 and 20 are recommended.
- (2) The external circuit in figure 21 is recommended.
- (3) The display controller and PPG are not operated.

## μPD7519/19H

Figure 19. Crystal

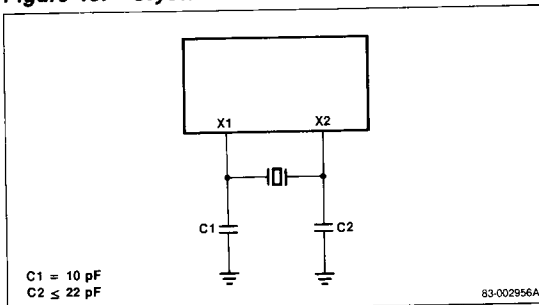


Figure 20. External Clock

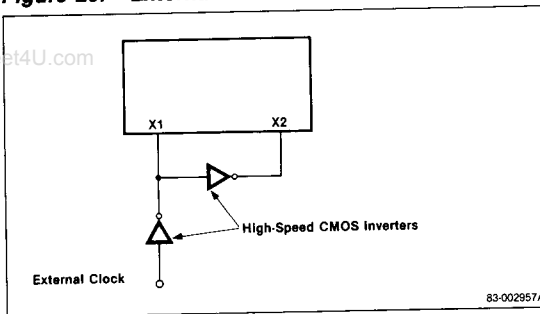
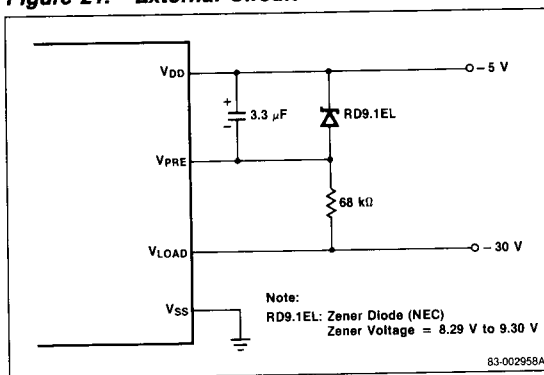


Figure 21. External Circuit



### AC Characteristics

$T_A = -10^\circ\text{C to } +70^\circ\text{C}$

#### Clock Operation, μPD7519/75CG19

μPD7519:  $V_{DD} = 2.5\text{ V to } 6\text{ V}$

μPD75CG19:  $V_{DD} = 5\text{ V} \pm 10\%$

Parameter	Symbol	Limits			Unit	Test Conditions
		Min	Typ	Max		
System clock oscillation frequency	$f_{xx}$	3.5	4.19	4.2	MHz	Crystal oscillation (1), (2)
System clock input frequency	$f_x$	0.1		5	MHz	External clock (1)
X1, X2 input pulse width high and low	$t_{XH}$	100			ns	External clock (1)
	$t_{XL}$	100			ns	
EVENT input frequency	$f_E$			410	kHz	$V_{DD} = 4.0\text{ V to } 6.0\text{ V}$
				80		
EVENT input pulse width high, low	$t_{EL}$	1.2			μs	$V_{DD} = 4.0\text{ V to } 6.0\text{ V}$
		6.25				

#### Note:

- (1) The circuits in figures 19 and 20 are recommended.
- (2) Refer to the Operating Supply Voltages tables.

#### Clock Operation, μPD7519H/75CG19H

μPD7519H:  $V_{DD} = 2.5\text{ V to } 6\text{ V}$

μPD75CG19H:  $V_{DD} = 5\text{ V} \pm 10\%$

Parameter	Symbol	Limits			Unit	Test Conditions
		Min	Typ	Max		
System clock oscillation frequency	$f_{xx}$	3.5	4.19	4.2	MHz	Crystal oscillation (1), (2)
		4.2	6.55	6.6		
System clock input frequency	$f_x$	0.1		4.2	MHz	External clock (1)
		4.2		6.6		
X1, X2 input pulse width high, low	$t_{XH}$	100			ns	External clock (1)
		$t_{XL}$	75			
EVENT input frequency	$f_E$			410	kHz	$V_{DD} = 4.0\text{ V to } 6.0\text{ V}$
				80		
EVENT Input pulse width high, low	$t_{EL}$	6.25			μs	$V_{DD} = 4.0\text{ V to } 6.0\text{ V}$

#### Note:

- (1) The circuits in figures 19 and 20 are recommended.
- (2) Refer to the Operating Supply Voltages table.

## AC Characteristics (cont)

T<sub>A</sub> = -10°C to +70°C

### Port 1 I/O Operation, μPD7519/75CG19

μPD7519: V<sub>DD</sub> = 2.5 V to 6 V  
 μPD75CG19: V<sub>DD</sub> = 5 V ± 10%  
 0.1 MHz ≤ f<sub>x</sub>, f<sub>xx</sub> ≤ 4.2 MHz

Parameter	Symbol	Limits		Unit	Test Conditions
		Min	Max		
Port 1 output setup time (to PSTB↑)	t <sub>PST</sub>	400		ns	Port output mode
Port 1 output hold time (after PSTB↑)	t <sub>STP</sub>	100		ns	
PSTB pulse width low	t <sub>STL1</sub>	600		ns	
Output data set-up time (to PSTB↑)	t <sub>DST</sub>	400		ns	I/O expander mode V <sub>DD</sub> = 4 V to 6 V
Output data hold time (after PSTB↑)	t <sub>STD</sub>	100		ns	
Input data valid time (after PSTB↓)	t <sub>STDV</sub>		850	ns	
Input data floating time (after PSTB↑)	t <sub>STDF</sub>	0		ns	
Control set-up time (to PSTB↓)	t <sub>CST</sub>	400		ns	
Control hold time	t <sub>STC</sub>				
Output command		100		ns	
Input command		0	80	ns	
PSTB pulse width low	t <sub>STL2</sub>	1200		ns	

### Port 1 I/O Operation, μPD7519H/75CG19H

μPD7519H: V<sub>DD</sub> = 2.5 V to 6 V  
 μPD75CG19H: V<sub>DD</sub> = 5 V ± 10%  
 0.1 MHz ≤ f<sub>x</sub>, f<sub>xx</sub> ≤ 4.2 MHz

Parameter	Symbol	Limits		Unit	Test Conditions
		Min	Max		
Port 1 output setup time (to PSTB↑)	t <sub>PST</sub>	250		ns	Port output mode
Port 1 output hold time (after PSTB↑)	t <sub>STP</sub>	100		ns	
PSTB pulse width low	t <sub>STL1</sub>	450		ns	
Output data set-up time (to PSTB↑)	t <sub>DST</sub>	200		ns	I/O expander mode V <sub>DD</sub> = 4 V to 6 V
Output data hold time (after PSTB↑)	t <sub>STD</sub>	100		ns	
Input data valid time (after PSTB↓)	t <sub>STDV</sub>		700	ns	
Input data floating time (after PSTB↑)	t <sub>STDF</sub>	0		ns	
Control set-up time (to PSTB↓)	t <sub>CST</sub>	100		ns	
Control hold time	t <sub>STC</sub>				
Output command		100		ns	
Input command		0	80	ns	
PSTB pulse width low	t <sub>STL2</sub>	750		ns	

## AC Characteristics (cont)

T<sub>A</sub> = -10°C to +70°C

### Port 1 I/O Operation, μPD7519H/75CG19H

μPD7519H: V<sub>DD</sub> = 4.5 V to 6 V  
 μPD75CG19H: V<sub>DD</sub> = 4.75 V to 5.5 V  
 4.2 MHz ≤ f<sub>x</sub>, f<sub>xx</sub> ≤ 6.6 MHz, Low Speed Mode(1) (EM<sub>2</sub> = 0)

Parameter	Symbol	Limits		Unit	Test Conditions
		Min	Max		
Port 1 output setup time (to PSTB↑)	t <sub>PST</sub>	400		ns	Port output mode
Port 1 output hold time (after PSTB↑)	t <sub>STP</sub>	100		ns	
PSTB pulse width low	t <sub>STL1</sub>	600		ns	
Output data set-up time (to PSTB↑)	t <sub>DST</sub>	400		ns	I/O expander mode V <sub>DD</sub> = 4 V to 6 V
Output data hold time (after PSTB↑)	t <sub>STD</sub>	100		ns	
Input data valid time (after PSTB↓)	t <sub>STDV</sub>		850	ns	
Input data floating time (after PSTB↑)	t <sub>STDF</sub>	0		ns	
Control set-up time (to PSTB↓)	t <sub>CST</sub>	400		ns	
Control hold time	t <sub>STC</sub>				
Output command		100		ns	
Input command		0	80	ns	
PSTB pulse width low	t <sub>STL2</sub>	1200		ns	

#### Note:

- (1) The μPD82C43/8243H, etc, cannot interface with the μPD7519H in high speed mode (EM<sub>2</sub> = 1).

**AC Characteristics (cont)**

T<sub>A</sub> = -10°C to +70°C

**Serial Interface Operation, μPD7519/75CG19**

μPD7519: V<sub>DD</sub> = 2.5 V to 6 V

μPD75CG19: V<sub>DD</sub> = 5 V ± 10%

Parameter	Symbol	Limits		Unit	Test Conditions
		Min	Max		
SCK cycle time	t <sub>KCY</sub>	3.0		μs	Input V <sub>DD</sub> = 4 V to 6 V
		12.5			
		4.9		μs	Output V <sub>DD</sub> = 4 V to 6 V
		10			
SCK pulse width high, low	t <sub>KH</sub>	1.3		μs	Input V <sub>DD</sub> = 4 V to 6 V
		65			
	t <sub>KL</sub>	2.2		μs	Output V <sub>DD</sub> = 4 V to 6 V
		4.5			
SI set-up time (to SCKt)	t <sub>SIK</sub>	300		ns	V <sub>DD</sub> = 4 V to 6 V
		1000			μPD7519 only
SI hold time (after SCKt)	t <sub>KSI</sub>	450		ns	V <sub>DD</sub> = 4 V to 6 V
		1000			μPD7519 only
SO output delay time (after SCK+)	t <sub>KSO</sub>	850		ns	V <sub>DD</sub> = 4 V to 6 V
		2000			μPD7519 only

**AC Characteristics (cont)**

T<sub>A</sub> = -10°C to +70°C

**Serial Interface Operation, μPD7519H/75CG19H**

μPD7519: V<sub>DD</sub> = 2.5 V to 6 V

μPD75CG19: V<sub>DD</sub> = 5 V ± 10%

Parameter	Symbol	Limits		Unit	Test Conditions
		Min	Max		
SCK cycle time	t <sub>KCY</sub>	2.1		μs	Input V <sub>DD</sub> = 4 V to 6 V
		12.5			
		(1)		μs	Output V <sub>DD</sub> = 4 V to 6 V
		(2)			
SCK pulse width high, low	t <sub>KH</sub>	0.7		μs	Input V <sub>DD</sub> = 4 V to 6 V
		6.5			
	t <sub>KL</sub>	(3)		μs	Output V <sub>DD</sub> = 4 V to 6 V
		(4)			
SI set-up time (to SCKt)	t <sub>SIK</sub>	300		ns	V <sub>DD</sub> = 4 V to 6 V
		1000			μPD7519H only
SI hold time (after SCKt)	t <sub>KSI</sub>	450		ns	V <sub>DD</sub> = 4 V to 6 V
		1000			μPD7519H only
SO output delay time (after SCK+)	t <sub>KSO</sub>	500		ns	V <sub>DD</sub> = 4 V to 6 V
		2000			μPD7519H only

**Note:**

- (1) High speed mode: 16/f<sub>x</sub> or 16/f<sub>xx</sub>  
Low speed mode: 64/f<sub>x</sub> or 64/f<sub>xx</sub>
- (2) 64/f<sub>x</sub> or 64/f<sub>xx</sub>
- (3) High speed mode: 8/f<sub>x</sub> - 0.8 μs, or 8/f<sub>xx</sub> - 0.8 μs  
Low speed mode: 32/f<sub>x</sub> - 0.8 μs, or 32/f<sub>xx</sub> - 0.8 μs
- (4) 32/f<sub>x</sub> - 2.0 μs, or 32/f<sub>xx</sub> - 2.0 μs



## AC Characteristics (cont)

T<sub>A</sub> = -10°C to +70°C

### Other Operations

μPD7519/7519H: V<sub>DD</sub> = 4.5 V to 6.0 V

μPD75CG19/75CG19H: V<sub>DD</sub> = 4.75 V to 5.5 V

Parameter	Symbol	Limits		Unit	Test Conditions
		Min	Max		
INT0 pulse width high, low	t <sub>IOH</sub> , t <sub>IOL</sub>	10		μs	
INT1 pulse width high, low	t <sub>11H</sub> , t <sub>11L</sub>	(1)		μs	
RESET pulse width high, low	t <sub>RSH</sub> , t <sub>RSL</sub>	10		μs	

### Note:

(1) 26/f<sub>x</sub> or 26/f<sub>xx</sub>

## μPD75CG19/75CG19H EPROM Characteristics

T<sub>A</sub> = -10°C to +70°C; V<sub>DD</sub> = 5 V ± 10%

Parameter	Symbol	Limits			Unit	Test Conditions
		Min	Typ	Max		
Access time	t <sub>ACC</sub>			700	ns	
CE low set-up time to data valid	t <sub>CE</sub>			700	ns	
Data valid hold time to CE rising edge	t <sub>H</sub>	0			ns	

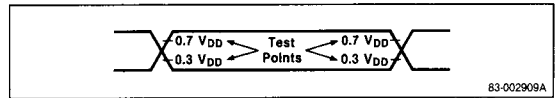
## Stop Mode Low Voltage Data Retention Characteristics, μPD7519/7519H

T<sub>A</sub> = -10°C to +70°C

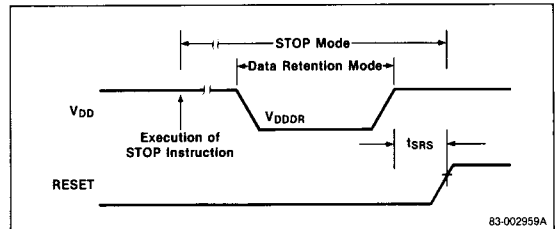
Parameter	Symbol	Limits			Unit	Test Conditions
		Min	Typ	Max		
Data retention supply voltage	V <sub>DDDR</sub>	2.0		6.0	V	
Data retention supply current	I <sub>DDDR</sub>	0.1	10		μA	V <sub>DDDR</sub> = 2 V
RESET set-up time	t <sub>SRS</sub>	0			μs	

## Timing Waveforms

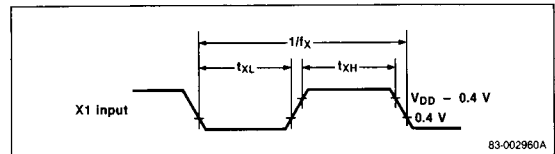
### AC Waveform Measurement Points (Except X1, X2)



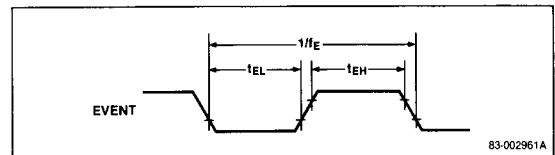
### Data Retention Timing



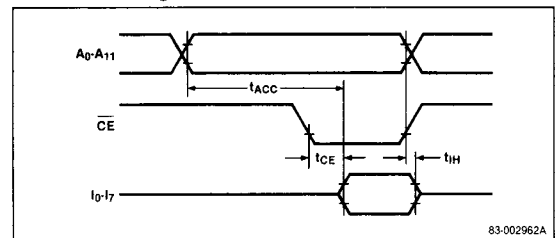
### Clock Timing



### EVENT Timing



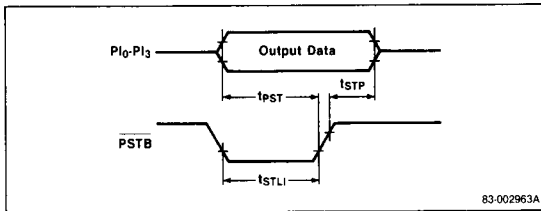
### EPROM Timing



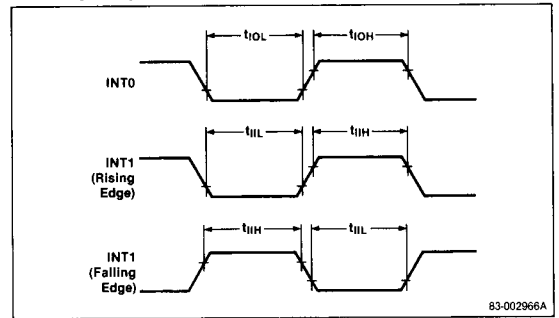
3

**Timing Waveforms (cont)**

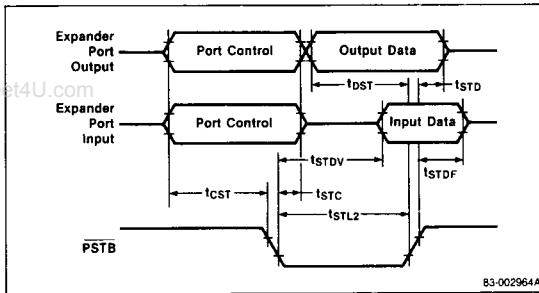
**Strobe Output Timing**



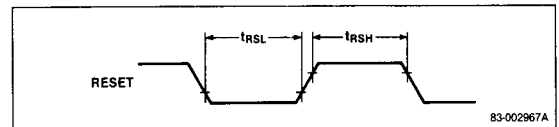
**Interrupt Input Timing**



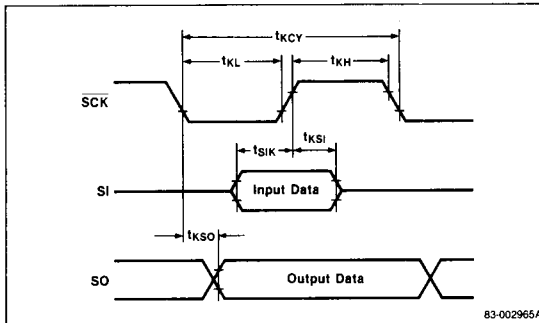
**Port 1 I/O Expander I/O Timing**



**RESET Input Timing**

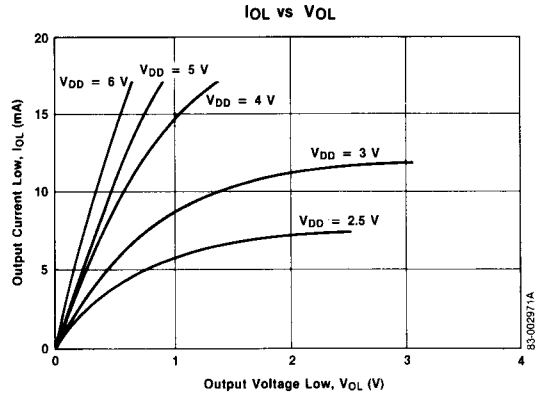
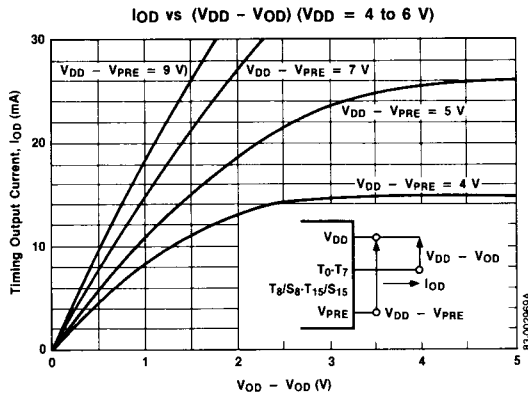
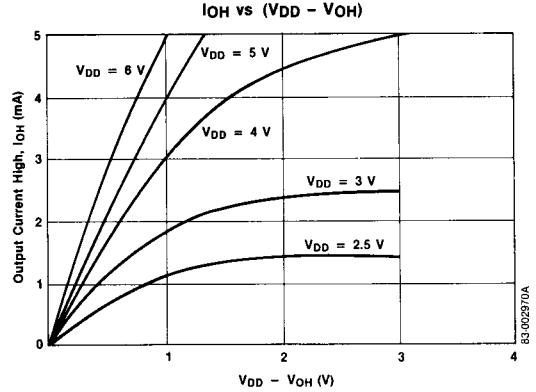
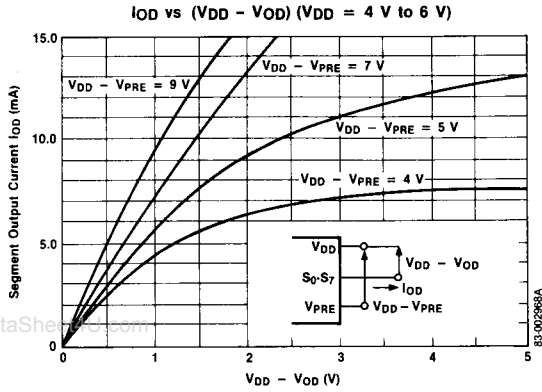


**Serial Transfer Timing**



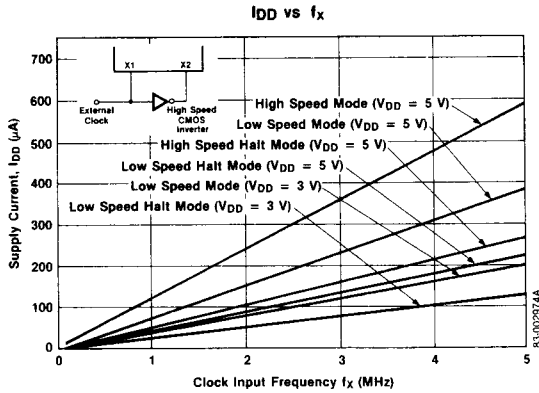
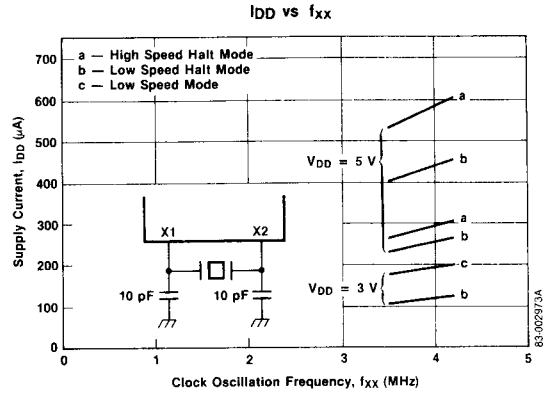
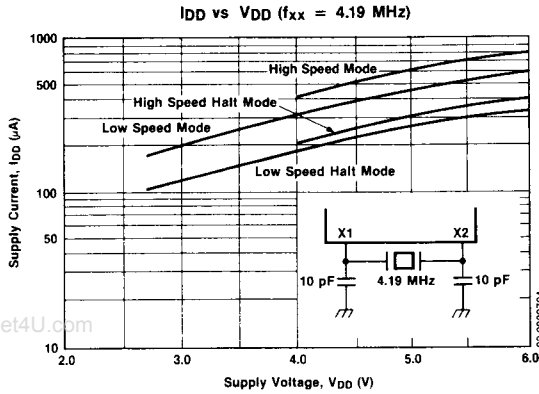
## Operating Characteristics, μPD7519/7519H

T<sub>A</sub> = 25°C



**Operating Characteristics, μPD7519H only**

T<sub>A</sub> = 25°C



## Operating Characteristics, $\mu$ PD7519 only

$T_A = 25^\circ\text{C}$

