

DA12-M Series

12 Watts

Total Power: 12 Watts
Input Voltage: 90 - 264 Vac
of Outputs: Single



Special Features

- 5 V and 12 V versions
- Medical and ITE Safeties
- Switching wallmount power supply
- Available in multiple ac plug configurations
- CE Mark EMC & LVD
- Universal AC input
- Fully regulated output
- Overload and short circuit protection
- Thermal protection
- Energy Star 2.0 and CeC approvals
- Efficiency level V
- Constant voltage
- High MTBF
- Built in EMI filter (CISPR 22 Class B)

Safety

- **UL** 60950, 60601-1
- **cUL** 60950, 60601-1
- **TUV** 60950-1, 60601-1
- **AS/NZS** 60950-1, 60601-1
- **CB** Certificate and report
- **CE** EMC & LVD
- **PSE** Denan (US only)

Electrical Specifications

| Input | |
|---|---|
| Input range: | 90 - 264 Vac (wide range) |
| Frequency: | 47 - 63 Hz |
| Inrush current: | 28 A @ 264 Vac |
| Input current: | 0.25 A rms @ 120 Vac; 0.15 A @ 240 Vac |
| EMI/RFI: | FCC Part 15, Subpart B Class B & EN55022 (CISPR 22) Class B |
| Safety ground leakage current: | 100 μ A @ 50/60 Hz, 264 Vac input |
| Output | |
| Voltage (Vo): | 5.0 V and 12.0 V |
| Voltage regulation: | \pm 5% @ constant voltage mode |
| Maximum Power (Po): | 12 W for 12 V models, 10 W for 5 V models |
| Hold-up time: | 10 ms. typical at full load @ 230 Vac |
| Overvoltage protection: | Non-latching type |
| Overload protection: | Output shortcircuit protection auto recover Overload protected @ 150% above maximum rating |
| Overtemperature protection: | Auto recovery |
| Output cable/connector barrel polarity: | DC cable with 2.5 mm x5.5mm barrel plug DC plug center +v DC plug outer -v |

Environmental Specifications

| | | |
|---------------------------------|--|---------------------------|
| Operating temperature: | 0 ° to +40 °C ambient | |
| Storage temperature: | -40 °C to +85 °C | |
| Electromagnetic susceptibility: | Designed to meet EN55024 | |
| Humidity: | Operating; non-condensing 5% to 95% RH | |
| Vibration: | Frequency/PSD: 5 - 350 Hz | 0.0001 g ² /Hz |
| | 350 - 500 Hz - 6dB/Oct. | |
| | 500 Hz | 0.00005g ² /Hz |
| | Acceleration: | 0.21 gRMS |
| | Duration: | 20 min per second |

AC Plug Configuration

| | |
|------------------------|----|
| U.S. 2-prong | US |
| Europe 2-prong | EU |
| United Kingdom 3-prong | UK |
| Australia 2-prong | AU |

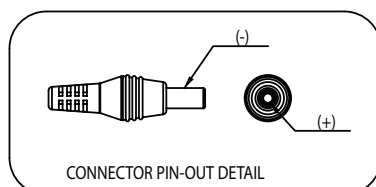
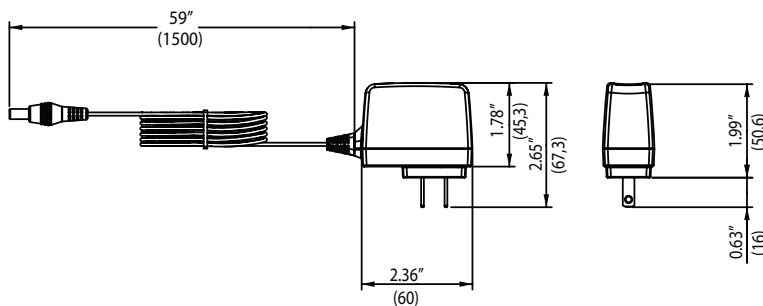
Ordering Information

| Model Number | Maximum Power | Output Voltage | Minimum Load | Maximum Load | Regulation ² | Ripple P/P (PARD) ³ |
|--------------|---------------|----------------|--------------|--------------|-------------------------|--------------------------------|
| DA12-120US-M | 12 W | 12.0 V | 0.2 A | 1.0 | ± 3% | 200 mV |
| DA12-120EU-M | 12 W | 12.0 V | 0.2 A | 1.0 | ± 3% | 200 mV |
| DA12-120UK-M | 12 W | 12.0 V | 0.2 A | 1.0 | ± 3% | 200 mV |
| DA12-120AU-M | 12 W | 12.0 V | 0.2 A | 1.0 | ± 3% | 200 mV |
| DA12-050US-M | 10 W | 5.0 V | 0.2 A | 2.0 | ± 3% | 50 mV |
| DA12-050EU-M | 10 W | 5.0 V | 0.2 A | 2.0 | ± 3% | 50 mV |
| DA12-050UK-M | 10 W | 5.0 V | 0.2 A | 2.0 | ± 3% | 50 mV |
| DA12-050AU-M | 10 W | 5.0 V | 0.2 A | 2.0 | ± 3% | 50 mV |

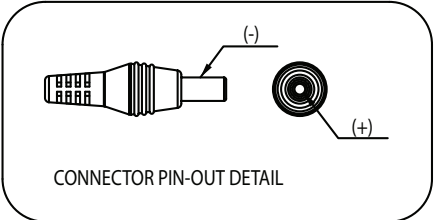
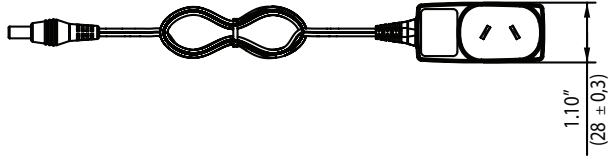
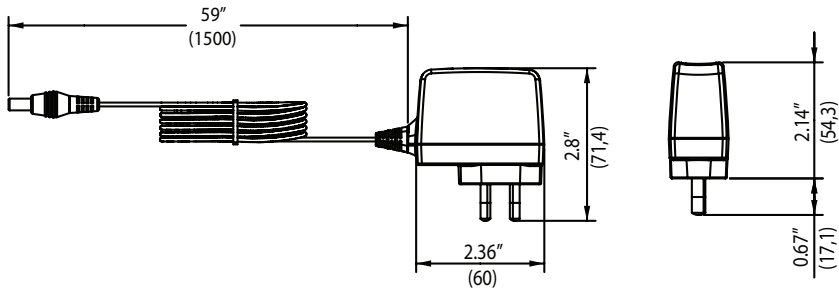
1. Peak current lasting < 30 seconds with a maximum 10% duty cycle.
2. At 25 °C including initial tolerance, line voltage, load currents and output voltages adjusted to factory settings.
3. Peak-to-peak with 20 MHz bandwidth and 10 µF in parallel with a 0.1 µF capacitor at rated line voltage and load ranges.
4. Power supplies will operate with no-load.

Mechanical Drawings

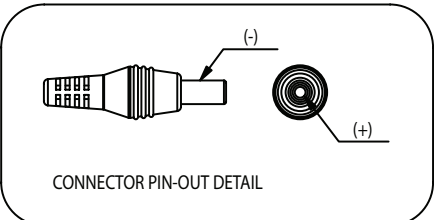
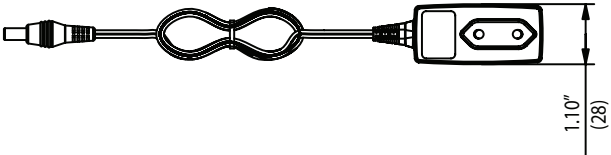
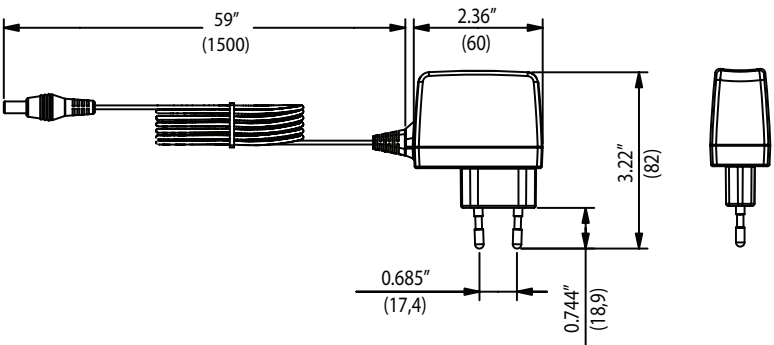
DA12-XXXUS-M



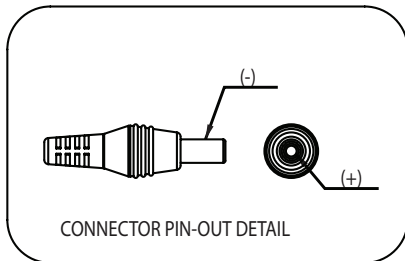
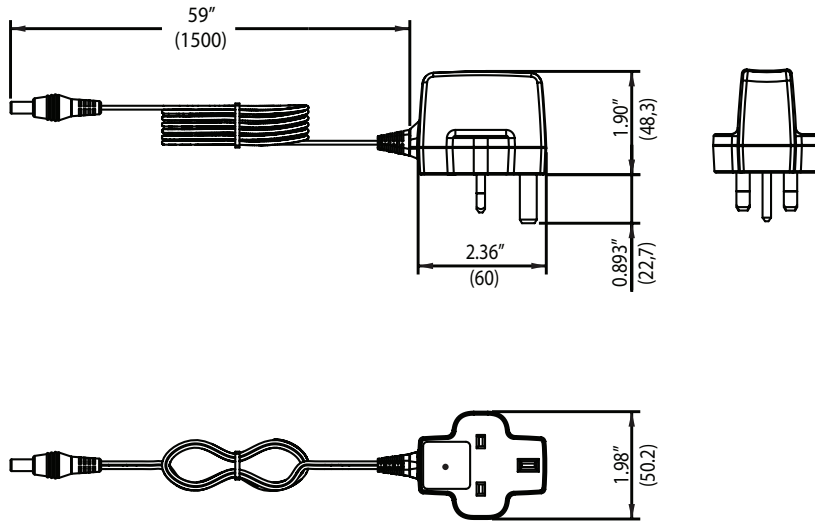
DA12-XXXAU-M



DA12-XXXEU-M



DA12-XXXUK-M



Notes:

1. Specifications subject to change without notice.
2. All dimensions in inches (mm), tolerance is $\pm .02$ ".
3. Weight: 0.25 lb/0.114 kg
4. Warranty: 2 years

Americas

5810 Van Allen Way
Carlsbad, CA 92008
USA
Telephone: +1 760 930 4600
Facsimile: +1 760 930 0698

Europe (UK)

Waterfront Business Park
Merry Hill, Dudley
West Midlands, DY5 1LX
United Kingdom
Telephone: +44 (0) 1384 842 211
Facsimile: +44 (0) 1384 843 355

Asia (HK)

14/F, Lu Plaza
2 Wing Yip Street
Kwun Tong, Kowloon
Hong Kong
Telephone: +852 2176 3333
Facsimile: +852 2176 3888

For global contact, visit:

www.PowerConversion.com
techsupport.embeddedpower@emerson.com

While every precaution has been taken to ensure accuracy and completeness in this literature, Emerson Network Power assumes no responsibility, and disclaims all liability for damages resulting from use of this information or for any errors or omissions.

Emerson Network Power.

The global leader in enabling business-critical continuity.

- AC Power
- Connectivity
- DC Power
- Embedded Computing
- Embedded Power**
- Monitoring
- Outside Plant
- Power Switching & Controls
- Precision Cooling
- Racks & Integrated Cabinets
- Services
- Surge Protection

EmersonNetworkPower.com

Emerson Network Power and the Emerson Network Power logo are trademarks and service marks of Emerson Electric Co.
©2009 Emerson Electric Co.