

4 PIN DIP/DF Series

- Industry standard package
- Transfer molded for environmental protection
- Miniature size
- Compatible with DIP handling, sorting and PCB insertion equipment
- Optional shielding and diodes
- UL models available

www.datasheet4u.com



Coil Ratings

Part Number	Nominal Voltage (VDC)	Coil Resistance (ohms) $\pm 10\%$	Operate Voltage (VDC) max.	Release Voltage (VDC) min.	Schematics
DB1A**BW (D)	5	500	3.8	0.5	
DA1A**BW (D)	12 24	850 2200	9.0 18.0	1.0 2.0	
DB2A**BW (D)	5	200	3.8	0.5	
DA2A**BW (D)	12 24	500 1750	9.0 18.0	1.0 2.0	
DB1B**BW (D)	5	500	3.8	0.5	
DA1B**BW (D)	12 24	500 1750	9.0 18.0	1.0 2.0	
DB1C**CW (D)	5	200	3.8	0.5	
DA1C**CW (D)	12 24	500 1750	9.0 18.0	1.0 2.0	
DA1A**NW (D) Mercury	5 12 24	90 360 1440	3.8 9.0 18.0	0.5 1.0 2.0	
DA1A**DW (D) Mercury	5 12 24	160 500 1440	3.8 9.0 18.0	0.5 1.0 2.0	
DF1A**BW (D)	5 12 24	500 850 2200	3.8 9.0 18.0	0.5 1.0 2.0	
DF1B**BW (D)	5 12 24	500 500 1750	3.8 9.0 18.0	0.5 1.0 2.0	

TAMB. = +20°C
 (M.S.) : Magnetic Shield
 (E.S.S.) : Electrostatic Shield

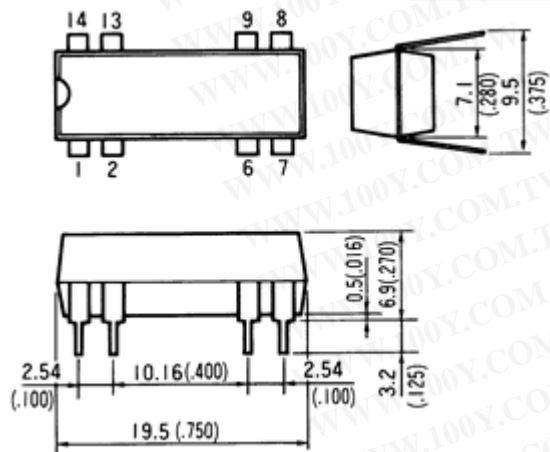
• Contact Ratings

Parameters		DA1A**BW	DB1A**BW	DA1C**BW	DA1A**NW	DF1A**BW
		DA2A**BW	DB2A**BW	DB1C**BW	DA1A**DW	
		DA1B**BW	DB1B**BW		Mercury	DF1B**BW
Power (W) max.		10		3	50	10
Voltage (VDC) max.		200		100	500	200
Switching Current (A) max.		0.5		0.25	2.0	0.5
Carry Current (A) max.		1.0		0.5	2.0	1.0
Contact Resistance (ohms) max. (initial)		0.15		0.15	0.1	0.15 (1A) 0.2 (1B)
www.datasheet4u.com Breakdown Voltage (VDC) min.	Open Contact	250		200	1000	250
	Contact to Coil	1500		1500	1500	1500
Insulation Resistance (ohms) min.	Open Contact	10 ¹⁰		10 ⁸	10 ¹⁰	10 ¹⁰
	Contact to Coil	10 ¹⁰		10 ¹⁰	10 ¹⁰	10 ¹⁰
Operate Time (mS) max (incl. bounce)		1.0		2.0	1.0 (NW) 2.0 (DW)	1.0
Release Time (mS) max.		0.5		2.5	1.0 (NW) 2.0 (DW)	0.5
Electrical Life	Low Level	10 ⁸ (10mVDC, 10μA)		5 X 10 ⁸ (10VDC, 4mA)	10 ⁹ (10VDC, 4mA)	10 ⁸ (10mVDC, 10μA)
	Rated Load	6 X 10 ⁵ (20VDC, 0.5A)		2 X 10 ⁶ (12VDC, 0.25A)	10 ⁶ (50VDC, 1.0A)	6 X 10 ⁵ (20VDC, 0.5A)

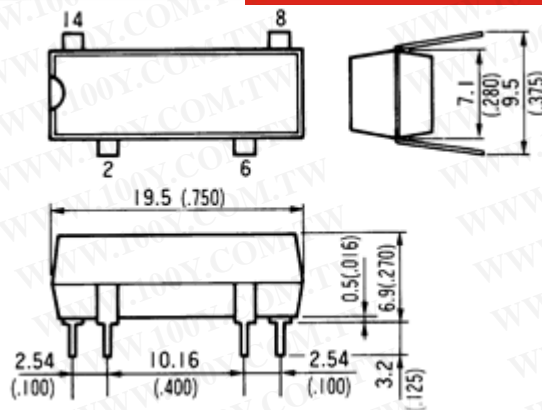
(resistive loads)

• Dimensions

DA - DB Series



DF Series



勝特力材料 886-3-5753170
 勝特力电子(上海) 86-21-54151736
 勝特力电子(深圳) 86-755-83298787
[Http://www.100y.com.tw](http://www.100y.com.tw)