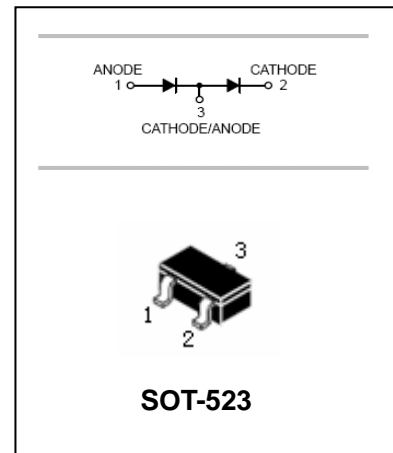


Surface Mount Fast Switching Diode

DA221

FEATURES

- Three types of package are available.
- Two diode elements are connected in series ($V_F \times 2$) per circuit.



APPLICATIONS

- General purpose switching application.

ORDERING INFORMATION

Type No.	Marking	Package Code
DA221	K	SOT-523

MAXIMUM RATING @ Ta=25°C unless otherwise specified

Symbol	Parameter	Value	Units
V_R	DC reverse voltage	20	V
V_{RM}	Peak reverse voltage	20	V
I_{FM}	Peak forward current	200	mA
I_O	Mean rectifying current	100	mA
I_{surge}	Non-repetitive peak forward surge current @t=1.0μs	300	mA
P_d	Power dissipation	150	mW
T_j, T_{stg}	Junction and Storage Temperature	-65 to +150	°C

ELECTRICAL CHARACTERISTICS @ Ta=25°C unless otherwise specified

Parameter	Symbol	Test conditions	MIN	MAX	UNIT
Leakage current	I_R	$V_R=15V$		0.1	μA
Forward voltage	V_F	$I_F=10mA$		1.0	V

Surface Mount Fast Switching Diode

DA221

TYPICAL CHARACTERISTICS @ Ta=25°C unless otherwise specified

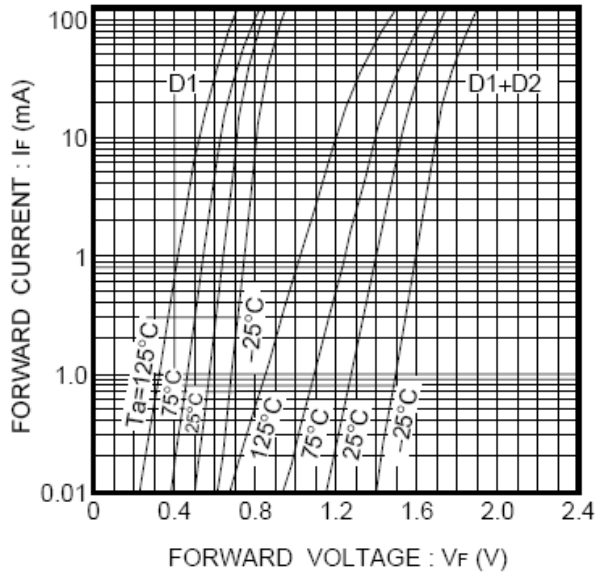


Fig.1 Forward characteristics

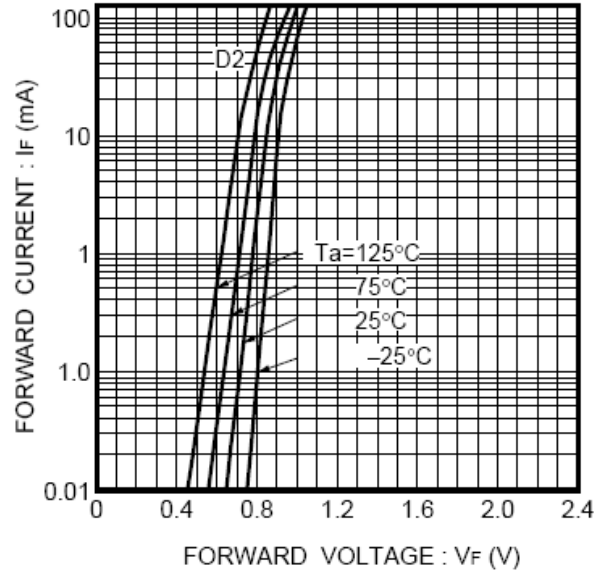


Fig.2 Forward characteristics

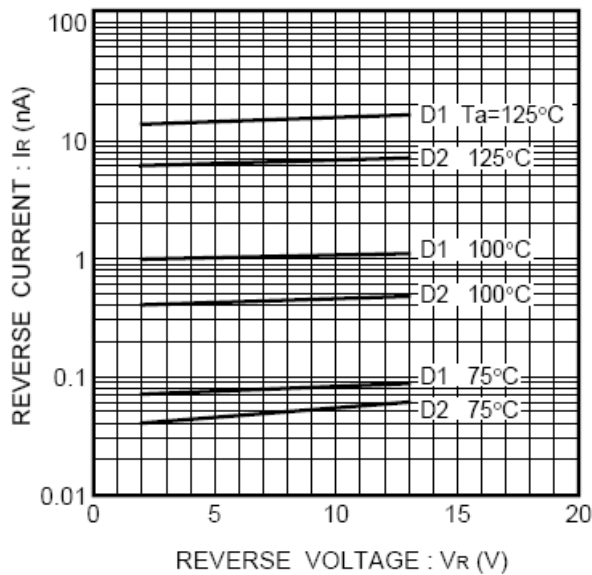


Fig.3 Reverse characteristics



Surface Mount Fast Switching Diode

DA221

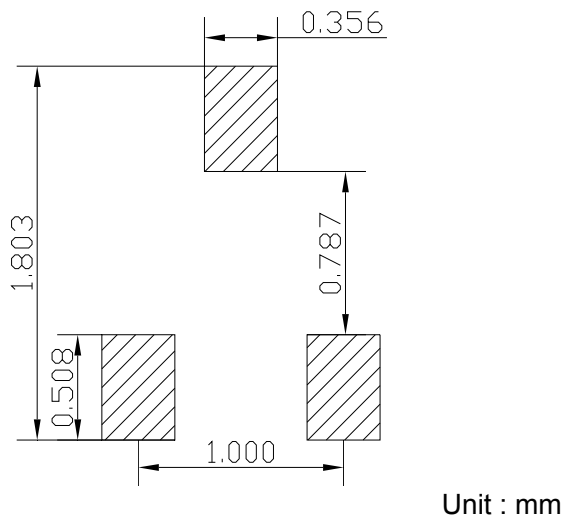
PACKAGE OUTLINE

Plastic surface mounted package

SOT-523

SOT-523		
Dim	Min	Max
A	1.5	1.7
B	0.75	0.85
C	0.6	0.8
D	0.15	0.3
G	0.9	1.1
H	0.02	0.1
J	0.1Typical	
K	1.45	1.75
All Dimensions in mm		

SOLDERING FOOTPRINT



PACKAGE INFORMATION

Device	Package	Shipping
DA221	SOT-523	3000/Tape&Reel