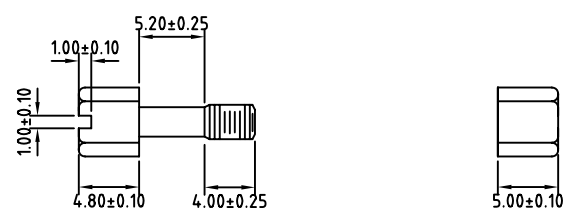


used for:

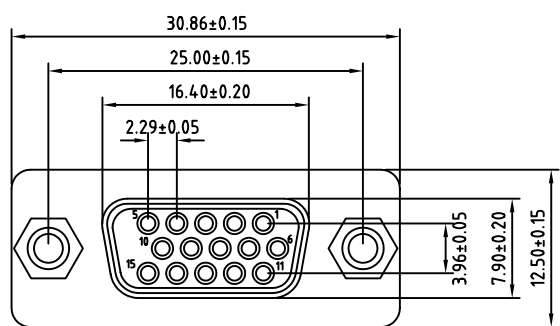
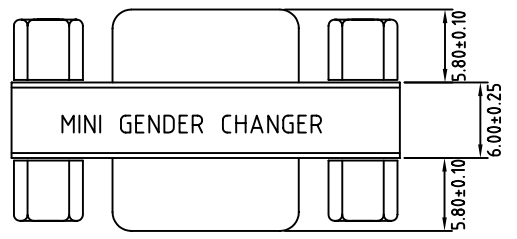
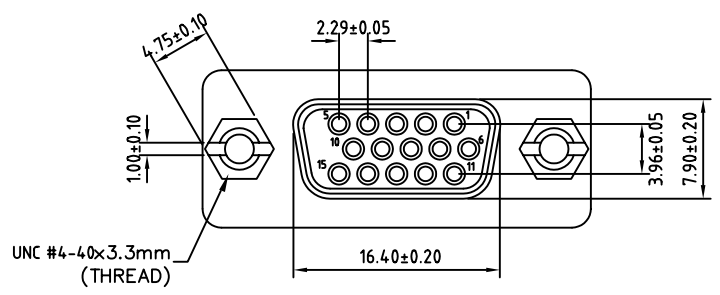
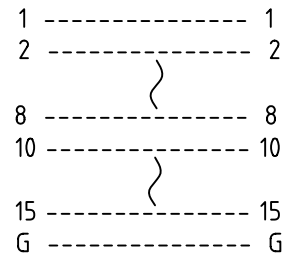
UNC #4-40 HEX Screw

UNC #4-40 HEX Nut



HD 15 F/F GENDER CHANGER PIN OUT

15P Female 15P Female



SPECIFICATIONS:

Material and Finish:

- Insulator: PBT, UL94 V-0 Rated
- Contacts: Brass, Gold over Nickel Plated
- Shell: Steel, Tin Plated
- UNC #4-40 HEX Screw: Brass, Nickel Plated
- UNC #4-40 HEX Nut: Brass, Nickel Plated

Electrical:

- Current Rating: 3 A Max.
- Insulation Resistance: 1000 Mohms Min. @ 500 VDC
- Dielectric Withstanding Voltage: 1000 VAC / 1 Minute
- Operating Temperature: -55°C To +105°C



THIS DRAWING MAY NOT BE COPIED OR REPRODUCED IN ANY WAY, AND MAY NOT BE PASSED ON TO A THIRD PARTY WITHOUT WRITTEN PERMISSION. OWNERSHIP AND COPYRIGHT OF CONEC CORPORATION DO NOT ALTER CAD DRAWING BY HAND

tolerance		finish	
unless otherwise specified tolerance shall be as follow			
Decimal:	xx ±0.20		
	.xx ±0.15		
Angles:		DIN in mm	
		2007	date
		name	
		draw.	June 28 Vincent Ke
		appd.	June 28 J. Chaudry
		norm	
		d-old	
a	origin	CONEC®	
rev.	description	date	name

scale:	
material: SPECIFICATIONS	
title: HD 15p Female/Female Gender Changer	
RoHS Compliant	
drawing no.:	AutoCAD 2005
16K1A1655	
part no.:	DAH1SSAAX01A

DIN A3	sheet 1/1
--------	-----------