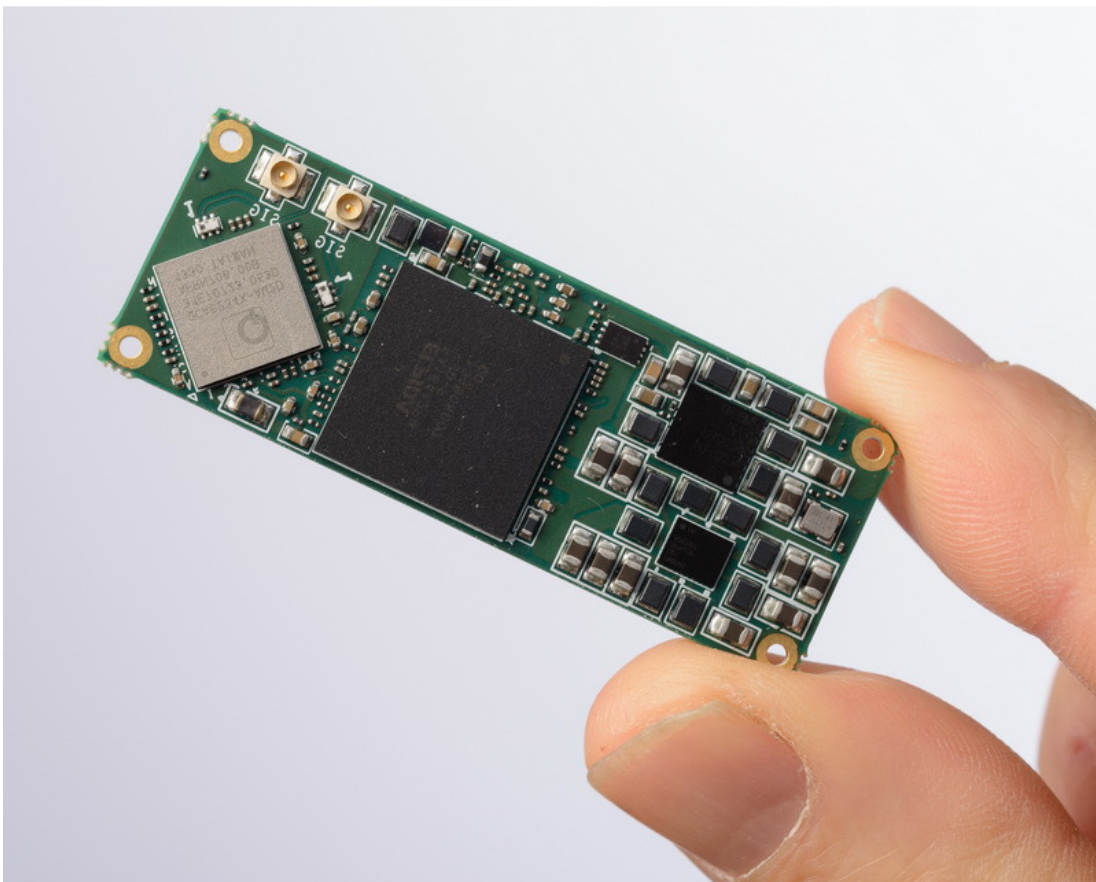




DART-SD800

Datasheet



Revision	By	Date	Description	Approved by
1.0	Leonid S.	29/10/2014	Initial	
1.1	Leonid S.	11/12/2014	1) Pin out changed 2) Block diagram corrected	
1.2	Leonid S.	20/01/2015	1) Electrical specifications added 2) Boot section added 3) USB_VBUS_PROT pin description added	

Table 0-1of Changes

Table of Contents

List of Tables..... 3

List of Figures 4

1.1. General Information.....5

1.2. Feature summary.....5

1.3. Definitions, Acronyms and Abbreviations5

2. Detailed Design Description..... 7

2.1. SOM's Connectors7

2.2. SOM's I/F exported to the edge connector..... 18

2.2.1. *Display ports* 18

2.2.2. *MIPI CSI2 Camera ports*..... 20

2.2.3. *Digital Audio I2S port* 21

2.2.4. *USB ports*..... 21

2.2.4.1. *USB_VBUS_PROT pin description*..... 22

2.2.5. *SD Card port* 22

2.2.6. *Audio Ports*..... 24

2.2.7. *PMIC GPIO ports*..... 25

2.2.8. *BLSP ports*..... 25

2.2.9. *JTAG port* 26

2.2.10. *BOOT configuration* 27

2.2.11. *Power*..... 28

2.2.12. *Wi-Fi & Bluetooth* 30

3. Electrical specifications..... 31

3.1. Absolute maximum ratings..... 31

3.2. Operating conditions..... 31

3.3. Power supplies output ratings 31

3.4. Digital IO characteristics 32

4. Mechanical..... 33

4.1. The SOM board mounting to the Carrier board..... 33

4.2. Drawings of mounting the SOM board..... 33

List of Tables

TABLE 0-1 OF CHANGES..... 2

TABLE 2-1 SOM CONNECTORS PIN OUT. 17

TABLE 2-2 MIPI DSI0 PORT SIGNALS..... 18

TABLE 2-3 MIPI DSI1 PORT SIGNALS..... 18

TABLE 2-4 HDMI PORT SIGNALS. 19

TABLE 2-6 MIPI CSI2 CAMERA PORT 0 SIGNALS. 20

TABLE 2-7 MIPI CSI2 CAMERA PORT 1 SIGNALS. 20

TABLE 2-9 DEDICATED I2C FOR CAMERA CONTROL SIGNALS. 21

TABLE 2-10 DIGITAL AUDIO I2S PORT SIGNALS..... 21

TABLE 2-11 USB2.0 PORT 1 SIGNALS..... 21

TABLE 2-12 USB2.0 PORT 2 SIGNALS (OTG COMPATIBLE)..... 22

TABLE 2-13 USB3.0 SUPER SPEED PORT SIGNALS. 22

TABLE 2-14 HSIC BUS SIGNALS. 22
TABLE 2-15 SD CARD SIGNALS. 23
TABLE 2-16 AUDIO SIGNALS. 24
TABLE 2-17 PMIC GPIO SIGNALS. 25
TABLE 2-17 BLSP SIGNALS. 26
TABLE 2-18 JTAG SIGNALS. 27
TABLE 2-19 POWER PINS. 30
TABLE 3-1 ABSOLUTE MAXIMUM RATINGS. 31
TABLE 3-2 OPERATING CONDITIONS. 31
TABLE 3-2 POWER SUPPLIES OUTPUT RATINGS. 32
TABLE 3-3 DIGITAL IO CHARACTERISTICS. 32

List of Figures

FIGURE 2-1 SOM BLOCK DIAGRAM. 7
FIGURE 2-2 SOM J1 CONNECTOR. 8
FIGURE 2-3 SOM J2 CONNECTOR. 9
FIGURE 2-4 SOM J3 CONNECTOR. 10
FIGURE 3-1 SOM MECHANICAL VIEW. 33

1.1. General Information

The DART-SD800 is a high performance System-on-Module. It provides an ideal building block that easily integrates with a wide range of target markets requiring rich multimedia functionality, powerful graphics and video capabilities, as well as high-processing power. Highly compact, cost effective and with low power consumption makes it to be the best choice for a high end products.

Supporting products:

- DART-SD800CustomBoard – evaluation board
 - ✓ Carrier -Board, compatible with – DART-SD800
 - ✓ Schematics
- O.S support
 - ✓ Android

Contact Variscite support services for further information:

<mailto:support@variscite.com>.

1.2. Feature summary

TBD

1.3. Definitions, Acronyms and Abbreviations

List of terms, acronyms and abbreviations with their associated meanings shown below are used in this document

SOM	System On a Module
USB	Universal Serial Bus
LCD	Liquid Crystal Display
FFC	Flexible Flat Cable
HDMI	High Definition Multimedia Interface
OTG	On The Go USB interface
MMC/SD	Multi Media Card /Secure Digital card
ESD	Electro Static Discharge
I2S	Inter-IC Sound
I2C	Inter-Integrated Circuit bus
PCI Express	Peripheral Component Interconnect Express
MIPI	Mobile Industry Processor Interface
DMIC	Digital Microphone

DSI	Display Serial Interface
CSI	Camera Serial Interface
SPI	Serial Peripheral Interface
PHY	Physical Layer
EMAC	Ethernet Media Access Controller
PMIC	Power Management IC
LVDS	Low Voltage Differential Signaling
SoC	System On Chip
UART	Universal asynchronous receiver/transmitter
SATA	Serial Advanced Technology Attachment
MPP	Multipurpose pins

Table 0 List of terms, acronyms and abbreviations

The following attributes are used to describe each Pin in the upcoming Signal/Pin-out Tables:

- I – In
- O – Out
- DS – Differential Signal
- A – Analog
- Power – Power Pin

2. Detailed Design Description

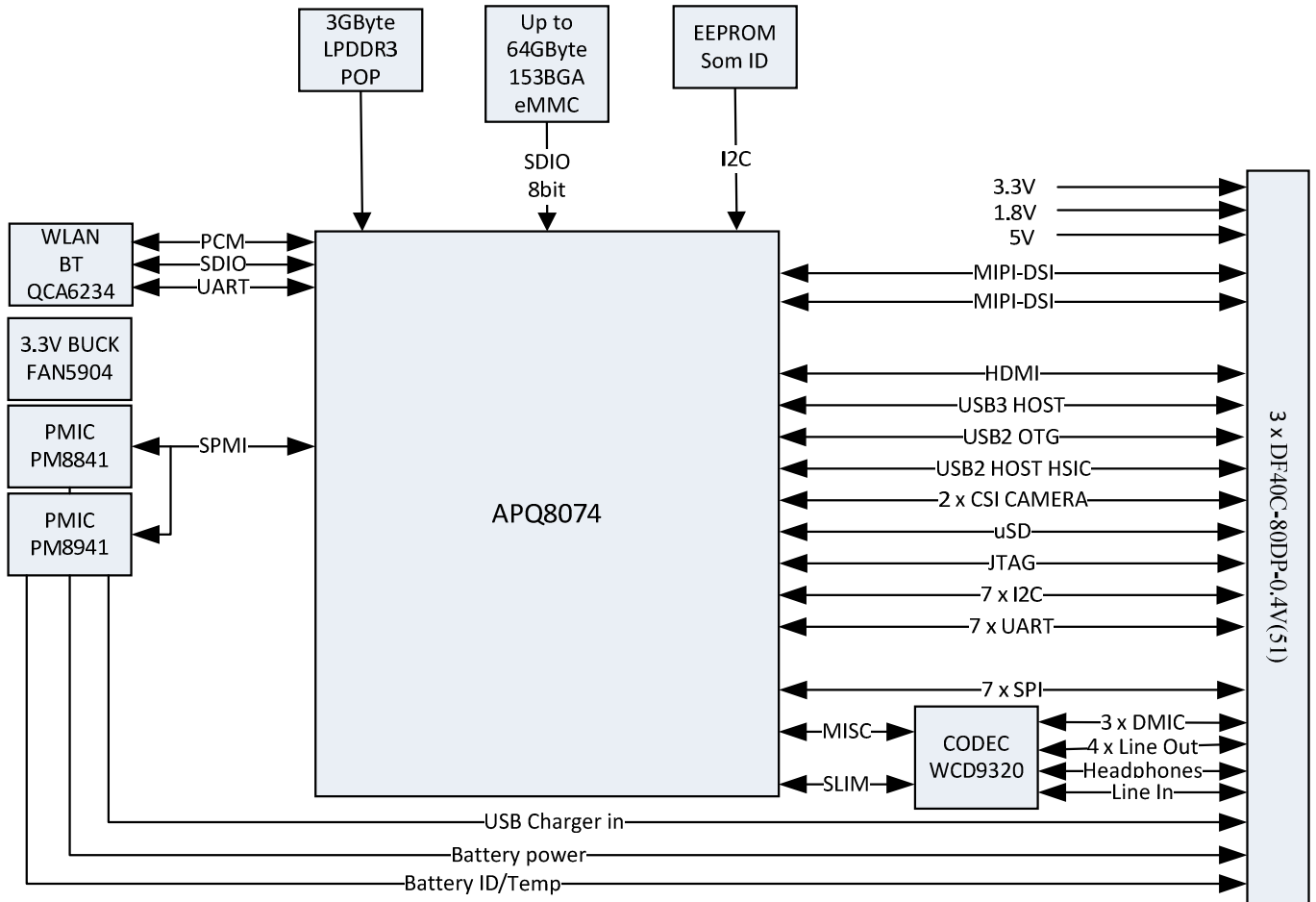


Figure 2-1 SOM Block Diagram

2.1. SOM's Connectors

The SOM will have three Molex DF40C-80DP-0.4V(51) connectors. The initial pin out is described in the following table; location might change according to design developments.

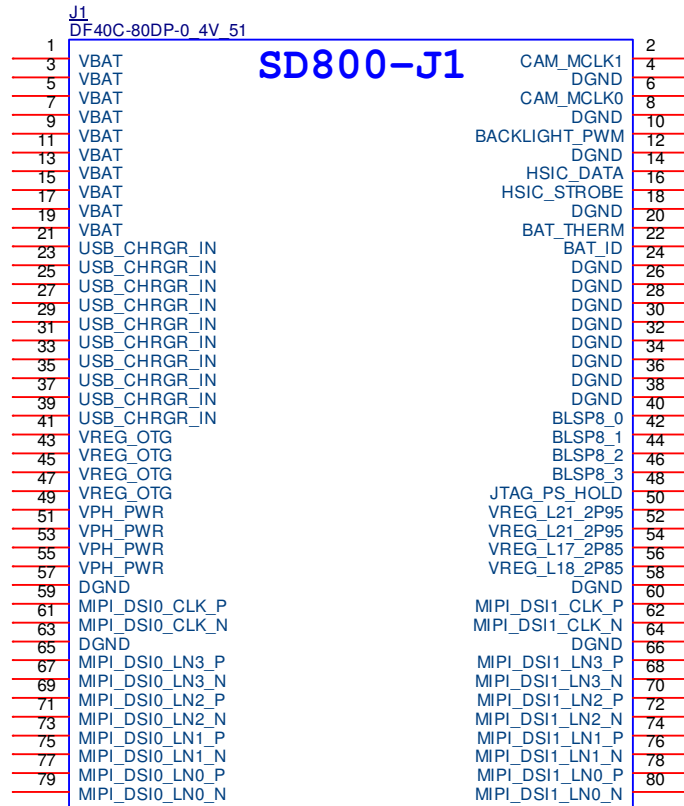


Figure 2-2 SOM J1 Connector

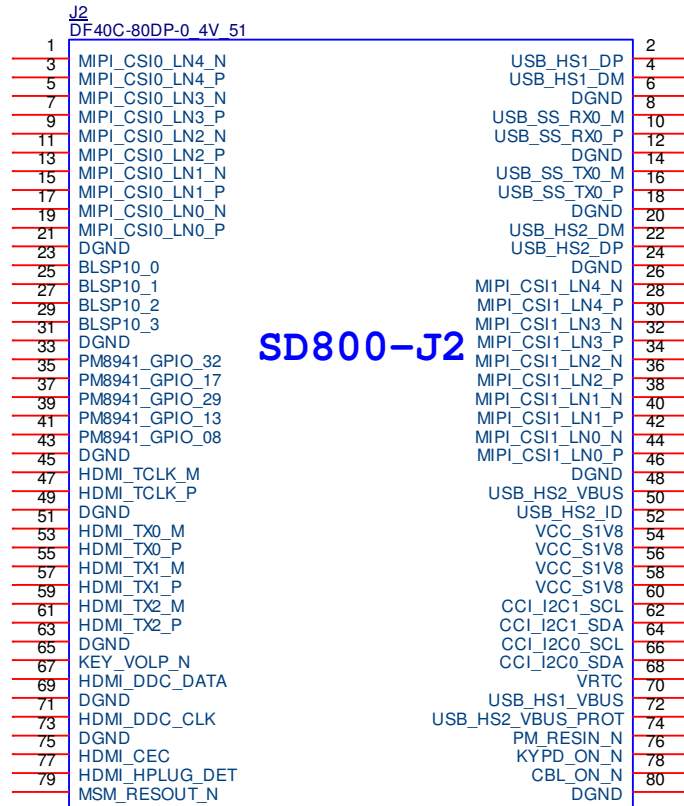


Figure 2-3 SOM J2 Connector

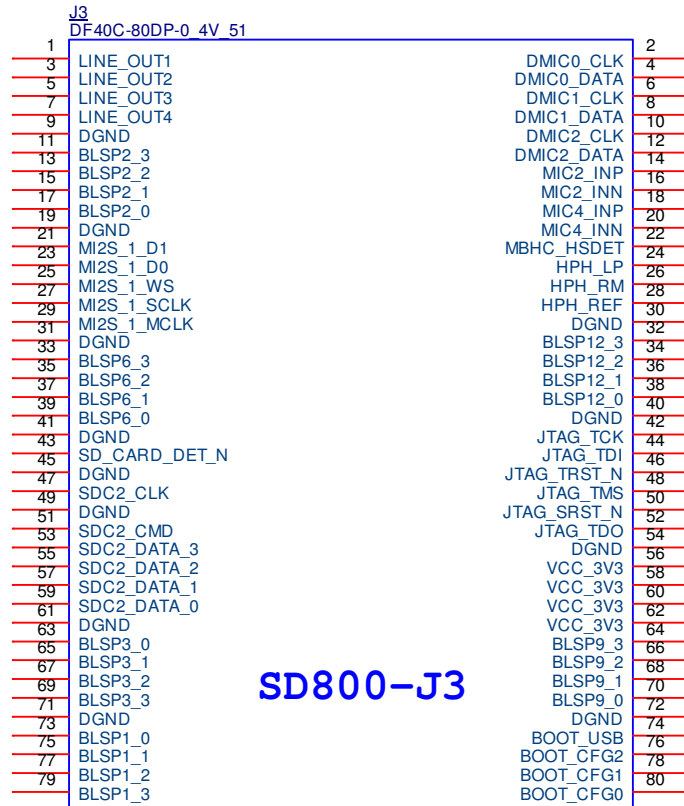


Figure 2-4 SOM J3 Connector

Pin#	Pin Name	Description	Ball
J1.1	VBAT	Main battery supply in (3.2V to 4.5V)	PM8941.214
J1.2	CAM_MCLK1	MIPI CSI2 Camera interface 1 ref clock output	A7
J1.3	VBAT	Main battery supply in (3.2V to 4.5V)	PM8941.214
J1.4	DGND	Digital Ground	
J1.5	VBAT	Main battery supply in (3.2V to 4.5V)	PM8941.214
J1.6	CAM_MCLK0	MIPI CSI2 Camera interface 0 ref clock output	C7
J1.7	VBAT	Main battery supply in (3.2V to 4.5V)	PM8941.214
J1.8	DGND	Digital Ground	
J1.9	VBAT	Main battery supply in (3.2V to 4.5V)	PM8941.214
J1.10	BACKLIGHT_PWM	PWM signal provided by PMIC	PM8941.146
J1.11	VBAT	Main battery supply in (3.2V to 4.5V)	PM8941.214
J1.12	DGND	Digital Ground	
J1.13	VBAT	Main battery supply in (3.2V to 4.5V)	PM8941.214
J1.14	HSIC_DATA	HSIC interface data line	C9
J1.15	VBAT	Main battery supply in (3.2V to 4.5V)	PM8941.214
J1.16	HSIC_STROBE	HSIC interface strobe line	F10
J1.17	VBAT	Main battery supply in (3.2V to 4.5V)	PM8941.214
J1.18	DGND	Digital Ground	
J1.19	VBAT	Main battery supply in (3.2V to 4.5V)	PM8941.214
J1.20	BAT_THERM	Battery thermistor connection	PM8941.221
J1.21	USB_CHRGR_IN	Charger input power supply	
J1.22	BAT_ID	Battery ID connection	PM8941.227
J1.23	USB_CHRGR_IN	Charger input power supply	PM8941.172
J1.24	DGND	Digital Ground	
J1.25	USB_CHRGR_IN	Charger input power supply	PM8941.172
J1.26	DGND	Digital Ground	
J1.27	USB_CHRGR_IN	Charger input power supply	PM8941.172
J1.28	DGND	Digital Ground	
J1.29	USB_CHRGR_IN	Charger input power supply	PM8941.172
J1.30	DGND	Digital Ground	
J1.31	USB_CHRGR_IN	Charger input power supply	PM8941.172
J1.32	DGND	Digital Ground	
J1.33	USB_CHRGR_IN	Charger input power supply	PM8941.172
J1.34	DGND	Digital Ground	
J1.35	USB_CHRGR_IN	Charger input power supply	PM8941.172
J1.36	DGND	Digital Ground	
J1.37	USB_CHRGR_IN	Charger input power supply	PM8941.172
J1.38	DGND	Digital Ground	
J1.39	USB_CHRGR_IN	Charger input power supply	PM8941.172

Pin#	Pin Name	Description	Ball
J1.40	BLSP8_0	Low Speed Peripheral Interface 8 bit 0	C17
J1.41	VREG_OTG	5V power supply output	PM8941.8
J1.42	BLSP8_1	Low Speed Peripheral Interface 8 bit 1	A15
J1.43	VREG_OTG	5V power supply output	PM8941.8
J1.44	BLSP8_2	Low Speed Peripheral Interface 8 bit 2	B14
J1.45	VREG_OTG	5V power supply output	PM8941.8
J1.46	BLSP8_3	Low Speed Peripheral Interface 8 bit 3	D16
J1.47	VREG_OTG	5V power supply output	PM8941.8
J1.48	JTAG_PS_HOLD	JTAG PS hold signal input to the SOM	
J1.49	VPH_PWR	Peripheral power output. Battery voltage	PM8941.198
J1.50	VREG_L21_2P95	2.95V SD card power supply	PM8941.89
J1.51	VPH_PWR	Peripheral power output. Battery voltage	PM8941.198
J1.52	VREG_L21_2P95	2.95V SD card power supply	PM8941.89
J1.53	VPH_PWR	Peripheral power output. Battery voltage	PM8941.198
J1.54	VREG_L17_2P85	2.85V power supply for CSI camera	PM8941.151
J1.55	VPH_PWR	Peripheral power output. Battery voltage	PM8941.198
J1.56	VREG_L18_2P85	2.85V power supply for CSI camera	PM8941.6
J1.57	DGND	Digital Ground	
J1.58	DGND	Digital Ground	
J1.59	MIPI_DSI0_CLK_P	MIPI DSI0 clock line Positive out	BG7
J1.60	MIPI_DSI1_CLK_P	MIPI DSI1 clock line Positive out	AY6
J1.61	MIPI_DSI0_CLK_N	MIPI DSI0 clock line Negative out	BH8
J1.62	MIPI_DSI1_CLK_N	MIPI DSI1 clock line Negative out	BA5
J1.63	DGND	Digital Ground	
J1.64	DGND	Digital Ground	
J1.65	MIPI_DSI0_LN3_P	MIPI DSI0 3 line Positive out	BE5
J1.66	MIPI_DSI1_LN3_P	MIPI DSI1 3 line Positive out	AW3
J1.67	MIPI_DSI0_LN3_N	MIPI DSI0 3 line Negative out	BF6
J1.68	MIPI_DSI1_LN3_N	MIPI DSI1 3 line Negative out	AY4
J1.69	MIPI_DSI0_LN2_P	MIPI DSI0 2 line Positive out	BG5
J1.70	MIPI_DSI1_LN2_P	MIPI DSI1 2 line Positive out	BA3
J1.71	MIPI_DSI0_LN2_N	MIPI DSI0 2 line Negative out	BH4
J1.72	MIPI_DSI1_LN2_N	MIPI DSI1 2 line Negative out	BB2
J1.73	MIPI_DSI0_LN1_P	MIPI DSI0 1 line Positive out	BH6
J1.74	MIPI_DSI1_LN1_P	MIPI DSI1 1 line Positive out	BA7
J1.75	MIPI_DSI0_LN1_N	MIPI DSI0 1 line Negative out	BJ7
J1.76	MIPI_DSI1_LN1_N	MIPI DSI1 1 line Negative out	BB6
J1.77	MIPI_DSI0_LN0_P	MIPI DSI0 0 line Positive out	BF8
J1.78	MIPI_DSI1_LN0_P	MIPI DSI1 0 line Positive out	BC7

Pin#	Pin Name	Description	Ball
J1.79	MIPI_DSI0_LN0_N	MIPI DSI0 0 line Negative out	BE9
J1.80	MIPI_DSI1_LN0_N	MIPI DSI1 0 line Negative out	BD6
J2.1	MIPI_CSI0_LN4_N	MIPI CSI2 Camera interface 0 line 4 Negative	U1
J2.2	USB_HS1_DP	USB interface 1 data Positive line	F4
J2.3	MIPI_CSI0_LN4_P	MIPI CSI2 Camera interface 0 line 4 Positive	U3
J2.4	USB_HS1_DM	USB interface 1 data Negative line	G3
J2.5	MIPI_CSI0_LN3_N	MIPI CSI2 Camera interface 0 line 3 Negative	T6
J2.6	DGND	Digital Ground	
J2.7	MIPI_CSI0_LN3_P	MIPI CSI2 Camera interface 0 line 3 Positive	U5
J2.8	USB_SS_RX0_M	Super Speed USB interface RX Negative line	G7
J2.9	MIPI_CSI0_LN2_N	MIPI CSI2 Camera interface 0 line 2 Negative	V6
J2.10	USB_SS_RX0_P	Super Speed USB interface RX Positive line	H6
J2.11	MIPI_CSI0_LN2_P	MIPI CSI2 Camera interface 0 line 2 Positive	W5
J2.12	DGND	Digital Ground	
J2.13	MIPI_CSI0_LN1_N	MIPI CSI2 Camera interface 0 line 1 Negative	V2
J2.14	USB_SS_TX0_M	Super Speed USB interface TX Negative line	J7
J2.15	MIPI_CSI0_LN1_P	MIPI CSI2 Camera interface 0 line 1 Positive	V4
J2.16	USB_SS_TX0_P	Super Speed USB interface TX Positive line	K6
J2.17	MIPI_CSI0_LN0_N	MIPI CSI2 Camera interface 0 line 0 Negative	W3
J2.18	DGND	Digital Ground	
J2.19	MIPI_CSI0_LN0_P	MIPI CSI2 Camera interface 0 line 0 Positive	Y4
J2.20	USB_HS2_DM	USB interface 2 data Negative line	N7
J2.21	DGND	Digital Ground	
J2.22	USB_HS2_DP	USB interface 2 data Positive line	P6
J2.23	BLSP10_0	Low Speed Peripheral Interface 10 bit 0	A23
J2.24	DGND	Digital Ground	
J2.25	BLSP10_1	Low Speed Peripheral Interface 10 bit 1	C23
J2.26	MIPI_CSI1_LN4_N	MIPI CSI2 Camera interface 1 line 4 Negative	W7
J2.27	BLSP10_2	Low Speed Peripheral Interface 10 bit 2	D22
J2.28	MIPI_CSI1_LN4_P	MIPI CSI2 Camera interface 1 line 4 Positive	Y6
J2.29	BLSP10_3	Low Speed Peripheral Interface 10 bit 3	B22
J2.30	MIPI_CSI1_LN3_N	MIPI CSI2 Camera interface 1 line 3 Negative	AA5
J2.31	DGND	Digital Ground	
J2.32	MIPI_CSI1_LN3_P	MIPI CSI2 Camera interface 1 line 3 Positive	AA7
J2.33	PM8941_GPIO_32	PMIC GPIO 32	PM8941.166
J2.34	MIPI_CSI1_LN2_N	MIPI CSI2 Camera interface 1 line 2 Negative	AA1
J2.35	PM8941_GPIO_17	PMIC GPIO 17	PM8941.165
J2.36	MIPI_CSI1_LN2_P	MIPI CSI2 Camera interface 1 line 2 Positive	AA3
J2.37	PM8941_GPIO_29	PMIC GPIO 29	PM8941.159

Pin#	Pin Name	Description	Ball
J2.38	MIPI_CSI1_LN1_N	MIPI CSI2 Camera interface 1 line 1 Negative	AB2
J2.39	PM8941_GPIO_13	PMIC GPIO 13	PM8941.157
J2.40	MIPI_CSI1_LN1_P	MIPI CSI2 Camera interface 1 line 1 Positive	AB4
J2.41	PM8941_GPIO_08	PMIC GPIO 08	PM8941.94
J2.42	MIPI_CSI1_LN0_N	MIPI CSI2 Camera interface 1 line 0 Negative	AB6
J2.43	DGND	Digital Ground	
J2.44	MIPI_CSI1_LN0_P	MIPI CSI2 Camera interface 1 line 0 Positive	AC5
J2.45	HDMI_TCLK_M	HDMI interface Clock line Negative output	AH6
J2.46	DGND	Digital Ground	
J2.47	HDMI_TCLK_P	HDMI interface Clock line Positive output	AJ5
J2.48	USB_HS2_VBUS	USB interface 2 VBUS input line	N1
J2.49	DGND	Digital Ground	
J2.50	USB_HS_ID	USB interface ID line	R7
J2.51	HDMI_TX0_M	HDMI interface 0 line Negative output	AJ7
J2.52	VCC_S1V8	1.8V power supply output	
J2.53	HDMI_TX0_P	HDMI interface 0 line Positive output	AK6
J2.54	VCC_S1V8	1.8V power supply output	
J2.55	HDMI_TX1_M	HDMI interface 1 line Negative output	AL5
J2.56	VCC_S1V8	1.8V power supply output	
J2.57	HDMI_TX1_P	HDMI interface 1 line Positive output	AL7
J2.58	VCC_S1V8	1.8V power supply output	
J2.59	HDMI_TX2_M	HDMI interface 2 line Negative output	AM6
J2.60	CCI_I2C1_SCL	Camera 1 I2C interface clock line	D10
J2.61	HDMI_TX2_P	HDMI interface 2 line Positive output	AN5
J2.62	CCI_I2C1_SDA	Camera 1 I2C interface data line	G15
J2.63	DGND	Digital Ground	
J2.64	CCI_I2C0_SCL	Camera 0 I2C interface clock line	E11
J2.65	KEY_VOLP_N	Volume UP key	PM8941.61
J2.66	CCI_I2C0_SDA	Camera 0 I2C interface data line	F12
J2.67	HDMI_DDC_DATA	HDMI interface DDC data line	AM2
J2.68	VRTC	RTC clock battery supply in	PM8941.63
J2.69	DGND	Digital Ground	
J2.70	USB_HS1_VBUS	USB interface 1 VBUS input	D6
J2.71	HDMI_DDC_CLK	HDMI interface DDC clock line	AM4
J2.72	USB_VBUS_PROT	USB interface VBUS output line protected from overvoltage	E7
J2.73	DGND	Digital Ground	
J2.74	PM_RESIN_N	Reset In signal	PM8941.163
J2.75	HDMI_CEC	HDMI interface CEC line	AN3
J2.76	KYPD_ON_N		

Pin#	Pin Name	Description	Ball
J2.77	HDMI_HPLUG_DET	HDMI interface hot plug detect line	AP4
J2.78	CBL_ON_N		
J2.79	MSM_RESOUT_N		
J2.80	DGND	Digital Ground	
J3.1	LINE_OUT1	Line out 1 output	WCD9320.80
J3.2	DMIC0_CLK	Digital microphone 0 clock output	WCD9320.36
J3.3	LINE_OUT2	Line out 2 output	WCD9320.69
J3.4	DMIC0_DATA	Digital microphone 0 data input	WCD9320.42
J3.5	LINE_OUT3	Line out 3 output	WCD9320.75
J3.6	DMIC1_CLK	Digital microphone 1 clock output	WCD9320.11
J3.7	LINE_OUT4	Line out 4 output	WCD9320.70
J3.8	DMIC1_DATA	Digital microphone 1 data input	WCD9320.17
J3.9	DGND	Digital Ground	
J3.10	DMIC2_CLK	Digital microphone 2 clock output	WCD9320.23
J3.11	BLSP2_3	Low Speed Peripheral Interface 2 bit 3 (used for DEBUG UART)	C29
J3.12	DMIC2_DATA	Digital microphone 2 data input	WCD9320.30
J3.13	BLSP2_2	Low Speed Peripheral Interface 2 bit 2 (used for DEBUG UART)	D30
J3.14	MIC2_INP	MiC2 input positive	WCD9320.50
J3.15	BLSP2_1	Low Speed Peripheral Interface 2 bit 1 (used for DEBUG UART)	C31
J3.16	MIC2_INN	MiC2 input negative	WCD9320.68
J3.17	BLSP2_0	Low Speed Peripheral Interface 2 bit 0 (used for DEBUG UART)	E31
J3.18	MIC4_INP	MiC4 input positive	WCD9320.62
J3.19	DGND	Digital Ground	
J3.20	MIC4_INN	MiC4 input negative	WCD9320.56
J3.21	MI2S_1_D1	I2S digital audio interface D1 line	H48
J3.22	MBHC_HSDDET	Headset detect line	WCD9320.31
J3.23	MI2S_1_D0	I2S digital audio interface D0 line	H46
J3.24	HPH_LP	Headset left positive	WCD9320.77
J3.25	MI2S_1_WS	I2S digital audio interface WS line	F48
J3.26	HPH_RM	Headset right negative	WCD9320.82
J3.27	MI2S_1_SCLK	I2S digital audio interface Clock line	G47
J3.28	HPH_REF	Headset Reference ground	WCD9320.65
J3.29	MI2S_1_MCLK	I2S digital audio interface Master Clock line	D48
J3.30	DGND	Digital Ground	
J3.31	DGND	Digital Ground	
J3.32	BLSP12_3	Low Speed Peripheral Interface 12 bit 3	C41
J3.33	BLSP6_3	Low Speed Peripheral Interface 6 bit 3	A11
J3.34	BLSP12_2	Low Speed Peripheral Interface 12 bit 2	D42
J3.35	BLSP6_2	Low Speed Peripheral Interface 6 bit 2	E15

Pin#	Pin Name	Description	Ball
J3.36	BLSP12_1	Low Speed Peripheral Interface 12 bit 1	E47
J3.37	BLSP6_1	Low Speed Peripheral Interface 6 bit 1	F16
J3.38	BLSP12_0	Low Speed Peripheral Interface 12 bit 0	H44
J3.39	BLSP6_0	Low Speed Peripheral Interface 6 bit 0	G17
J3.40	DGND	Digital Ground	
J3.41	DGND	Digital Ground	
J3.42	JTAG_TCK	JTAG interface TCK pin	AG45
J3.43	SD_CARD_DET_N	SD card detect line active low	D38
J3.44	JTAG_TDI	JTAG interface TDI pin	AL45
J3.45	DGND	Digital Ground	
J3.46	JTAG_TRST_N	JTAG interface TRST pin	AJ45
J3.47	SDC2_CLK	External SD card clock output	T48
J3.48	JTAG_TMS	JTAG interface TMS pin	AK44
J3.49	DGND	Digital Ground	
J3.50	JTAG_SRST_N	JTAG interface SRST pin	AM44
J3.51	SDC2_CMD	External SD card Command line	U45
J3.52	JTAG_TDO	JTAG interface TDO pin	AP46
J3.53	SDC2_DATA_3	External SD card Data 3 line	R47
J3.54	DGND	Digital Ground	
J3.55	SDC2_DATA_2	External SD card Data 2 line	P46
J3.56	VCC_3V3	3.3V power supply output	
J3.57	SDC2_DATA_1	External SD card Data 1 line	V46
J3.58	VCC_3V3	3.3V power supply output	
J3.59	SDC2_DATA_0	External SD card Data 0 line	T50
J3.60	VCC_3V3	3.3V power supply output	
J3.61	DGND	Digital Ground	
J3.62	VCC_3V3	3.3V power supply output	
J3.63	BLSP3_0	Low Speed Peripheral Interface 3 bit 0	BE11
J3.64	BLSP9_3	Low Speed Peripheral Interface 9 bit 3	AA49
J3.65	BLSP3_1	Low Speed Peripheral Interface 3 bit 1	BH10
J3.66	BLSP9_2	Low Speed Peripheral Interface 9 bit 2	AC49
J3.67	BLSP3_2	Low Speed Peripheral Interface 3 bit 2	BE13
J3.68	BLSP9_1	Low Speed Peripheral Interface 9 bit 1	AE47
J3.69	BLSP3_3	Low Speed Peripheral Interface 3 bit 3	BG11
J3.70	BLSP9_0	Low Speed Peripheral Interface 9 bit 0	AH50
J3.71	DGND	Digital Ground	
J3.72	DGND	Digital Ground	
J3.73	BLSP1_0	Low Speed Peripheral Interface 1 bit 0	BG13
J3.74	BOOT_USB	USB Boot configuration option	AR47

Pin#	Pin Name	Description	Ball
J3.75	BLSP1_1	Low Speed Peripheral Interface 1 bit 1	BF12
J3.76	BOOT_CFG2	Boot configuration bit 2	AW47
J3.77	BLSP1_2	Low Speed Peripheral Interface 1 bit 2	BF14
J3.78	BOOT_CFG1	Boot configuration bit 1	BG19
J3.79	BLSP1_3	Low Speed Peripheral Interface 1 bit 3	BH12
J3.80	BOOT_CFG0	Boot configuration bit 0	BF20

Table 2-1 SOM connectors pin out.

2.2. SOM's I/F exported to the edge connector.

2.2.1. Display ports

The SOM exposes following Display interfaces:

- 4 Lane MIPI DSI port 0
- 4 Lane MIPI DSI port 1
- Enhanced Display port
- HDMI port

With the following capabilities:

- Up to three concurrent displays; two panels + external
- HDMI v1. 4
- Example combinations
- (2560 × 2048) + (1080p external)
- (2048 × 1536) + (1920 × 1200) + (1080p external)
- (2048 × 1536) + (4 k × 2 k external)
- Color depth – 24-bit pp; TFT, LTPS, CSTN, OLED panels

Pin#	Pin Name	Description	Ball#
J1.79	MIPI_DSIO_LN0_N	MIPI DSIO 0 line Negative out	BE9
J1.77	MIPI_DSIO_LN0_P	MIPI DSIO 0 line Positive out	BF8
J1.75	MIPI_DSIO_LN1_N	MIPI DSIO 1 line Negative out	BJ7
J1.73	MIPI_DSIO_LN1_P	MIPI DSIO 1 line Positive out	BH6
J1.71	MIPI_DSIO_LN2_N	MIPI DSIO 2 line Negative out	BH4
J1.69	MIPI_DSIO_LN2_P	MIPI DSIO 2 line Positive out	BG5
J1.67	MIPI_DSIO_LN3_N	MIPI DSIO 3 line Negative out	BF6
J1.65	MIPI_DSIO_LN3_P	MIPI DSIO 3 line Positive out	BE5
J1.61	MIPI_DSIO_CLK_N	MIPI DSIO clock line Negative out	BH8
J1.59	MIPI_DSIO_CLK_P	MIPI DSIO clock line Positive out	BG7

Table 2-2 MIPI DSIO port signals.

Pin#	Pin Name	Description	Ball#
J1.80	MIPI_DSI1_LN0_N	MIPI DSI1 0 line Negative out	BD6
J1.78	MIPI_DSI1_LN0_P	MIPI DSI1 0 line Positive out	BC7
J1.76	MIPI_DSI1_LN1_N	MIPI DSI1 1 line Negative out	BB6
J1.74	MIPI_DSI1_LN1_P	MIPI DSI1 1 line Positive out	BA7
J1.72	MIPI_DSI1_LN2_N	MIPI DSI1 2 line Negative out	BB2
J1.70	MIPI_DSI1_LN2_P	MIPI DSI1 2 line Positive out	BA3
J1.68	MIPI_DSI1_LN3_N	MIPI DSI1 3 line Negative out	AY4
J1.66	MIPI_DSI1_LN3_P	MIPI DSI1 3 line Positive out	AW3
J1.62	MIPI_DSI1_CLK_N	MIPI DSI1 clock line Negative out	BA5
J1.60	MIPI_DSI1_CLK_P	MIPI DSI1 clock line Positive out	AY6

Table 2-3 MIPI DSI1 port signals.

Pin#	Pin Name	Description	Ball#
J2.51	HDMI_TX0_M	HDMI interface 0 line Negative output	AJ7
J2.53	HDMI_TX0_P	HDMI interface 0 line Positive output	AK6
J2.55	HDMI_TX1_M	HDMI interface 1 line Negative output	AL5
J2.57	HDMI_TX1_P	HDMI interface 1 line Positive output	AL7
J2.59	HDMI_TX2_M	HDMI interface 2 line Negative output	AM6
J2.61	HDMI_TX2_P	HDMI interface 2 line Positive output	AN5
J2.75	HDMI_CEC	HDMI interface CEC line	AN3
J2.45	HDMI_TCLK_M	HDMI interface Clock line Negative output	AH6
J2.47	HDMI_TCLK_P	HDMI interface Clock line Positive output	AJ5
J2.71	HDMI_DDC_CLK	HDMI interface DDC clock line	AM4
J2.67	HDMI_DDC_DATA	HDMI interface DDC data line	AM2
J2.77	HDMI_HPLUG_DET	HDMI interface hot plug detect line	AP4

Table 2-4 HDMI port signals.

2.2.2. MIPI CSI2 Camera ports

The SOM exposes 2 four lanes MIPI CSI2 camera interface ports with following capabilities:

- Two 4-lane at 4 + 4 lanes; 1.5 Gbps per lane
- 2D performance - 32 MP at 15 fps; 16 MP at 30 fps
- Pixel manipulations, camera modes, image effects, and post- processing techniques, including defective pixel correction
- VFE raw dump of CSI data at line rate to LPDDR3
- SMIA++ support
- I2C controls

Pin#	Pin Name	Description	Ball#
J2.17	MIPI_CSIO_LN0_N	MIPI CSI2 Camera interface 0 line 0 Negative	W3
J2.19	MIPI_CSIO_LN0_P	MIPI CSI2 Camera interface 0 line 0 Positive	Y4
J2.13	MIPI_CSIO_LN1_N	MIPI CSI2 Camera interface 0 line 1 Negative	V2
J2.15	MIPI_CSIO_LN1_P	MIPI CSI2 Camera interface 0 line 1 Positive	V4
J2.9	MIPI_CSIO_LN2_N	MIPI CSI2 Camera interface 0 line 2 Negative	V6
J2.11	MIPI_CSIO_LN2_P	MIPI CSI2 Camera interface 0 line 2 Positive	W5
J2.5	MIPI_CSIO_LN3_N	MIPI CSI2 Camera interface 0 line 3 Negative	T6
J2.7	MIPI_CSIO_LN3_P	MIPI CSI2 Camera interface 0 line 3 Positive	U5
J2.1	MIPI_CSIO_LN4_N	MIPI CSI2 Camera interface 0 line 4 Negative	U1
J2.3	MIPI_CSIO_LN4_P	MIPI CSI2 Camera interface 0 line 4 Positive	U3
J1.6	CAM_MCLK0	MIPI CSI2 Camera interface 0 ref clock output	C7

Table 2-5 MIPI CSI2 Camera port 0 signals.

Pin#	Pin Name	Description	Ball#
J2.42	MIPI_CSI1_LN0_N	MIPI CSI2 Camera interface 1 line 0 Negative	AB6
J2.44	MIPI_CSI1_LN0_P	MIPI CSI2 Camera interface 1 line 0 Positive	AC5
J2.38	MIPI_CSI1_LN1_N	MIPI CSI2 Camera interface 1 line 1 Negative	AB2
J2.40	MIPI_CSI1_LN1_P	MIPI CSI2 Camera interface 1 line 1 Positive	AB4
J2.34	MIPI_CSI1_LN2_N	MIPI CSI2 Camera interface 1 line 2 Negative	AA1
J2.36	MIPI_CSI1_LN2_P	MIPI CSI2 Camera interface 1 line 2 Positive	AA3
J2.30	MIPI_CSI1_LN3_N	MIPI CSI2 Camera interface 1 line 3 Negative	AA5
J2.32	MIPI_CSI1_LN3_P	MIPI CSI2 Camera interface 1 line 3 Positive	AA7
J2.26	MIPI_CSI1_LN4_N	MIPI CSI2 Camera interface 1 line 4 Negative	W7
J2.28	MIPI_CSI1_LN4_P	MIPI CSI2 Camera interface 1 line 4 Positive	Y6
J1.2	CAM_MCLK1	MIPI CSI2 Camera interface 1 ref clock output	A7

Table 2-6 MIPI CSI2 Camera port 1 signals.

In addition to the signal lines the SOM exposes two dedicated I2C channels for camera control.

Pin#	Pin Name	Description	Ball#
J1.54	CCI_I2C0_SCL	Camera 0 I2C interface clock line	E11
J1.56	CCI_I2C0_SDA	Camera 0 I2C interface data line	F12
J1.50	CCI_I2C1_SCL	Camera 1 I2C interface clock line	D10
J1.52	CCI_I2C1_SDA	Camera 1 I2C interface data line	G15

Table 2-7 Dedicated I2C for camera control signals.

2.2.3. Digital Audio I2S port

Pin#	Pin Name	Description	Ball#
J3.27	MI2S_1_SCLK	I2S digital audio interface Clock line	G47
J3.23	MI2S_1_D0	I2S digital audio interface D0 line	H46
J3.21	MI2S_1_D1	I2S digital audio interface D1 line	H48
J3.29	MI2S_1_MCLK	I2S digital audio interface Master Clock line	D48
J3.25	MI2S_1_WS	I2S digital audio interface WS line	F48

Table 2-8 Digital Audio I2S port signals.

2.2.4. USB ports

The SOM exposes the following USB interfaces:

- Two USB – one USB 2.0 high-speed and one USB 3.0 super-speed/USB 2.0 high-speed compliant, one OTG compatible
- One HSIC port - Dual-voltage (1.2/1.8)

Pin#	Pin Name	Description	Ball#
J2.4	USB_HS1_DM	USB interface 1 data Negative line	G3
J2.2	USB_HS1_DP	USB interface 1 data Positive line	F4
J2.70	USB_HS1_VBUS	USB interface 1 VBUS input	D6
J2.72	USB_VBUS_PROT	USB interface VBUS output line protected from overvoltage	E7
J2.50	USB_HS_ID	USB interface ID line	R7

Table 2-9 USB2.0 port 1 signals.

Pin#	Pin Name	Description	Ball#
J2.20	USB_HS2_DM	USB interface 2 data Negative line	N7
J2.22	USB_HS2_DP	USB interface 2 data Positive line	P6
J2.50	USB_HS_ID	USB interface ID line	R7
J2.48	USB_HS2_VBUS	USB interface 2 VBUS input line	N1

Table 2-10 USB2.0 port 2 signals (OTG compatible).

Pin#	Pin Name	Description	Ball#
J2.8	USB_SS_RX0_M	Super Speed USB interface RX Negative line	G7
J2.10	USB_SS_RX0_P	Super Speed USB interface RX Positive line	H6
J2.14	USB_SS_TX0_M	Super Speed USB interface TX Negative line	J7
J2.16	USB_SS_TX0_P	Super Speed USB interface TX Positive line	K6

Table 2-11 USB3.0 Super Speed port signals.

Pin#	Pin Name	Description	Ball#
J1.14	HSIC_DATA	HSIC interface data line	C9
J1.16	HSIC_STROBE	HSIC interface strobe line	F10

Table 2-12 HSIC bus signals.

2.2.4.1. *USB_VBUS_PROT pin description*

On the SOM the charger is disconnected from the USB port and it can be used in two ways: As a standalone charger or as a charger that is connected to USB1 port. The maximum allowable voltage of USB_HS1_VBUS pin is lower than maximum operating voltage of the charger. So the pin USB_HS1_VBUS pin should be protected from high voltages. The solution is to use USB_VBUS_PROT pin. There is overvoltage protection circuit on SOM, its input connected to USB_CHRGR_IN power and output is enabled only when the voltage on USB_CHRGR_IN pins is in acceptable for USB_HS1_VBUS. So in systems that are using OTG port for charging the OTG connector Pin #1 should be connected to USB_CHRGR_IN pins and USB_VBUS_PROT pin should be connected to USB_HS1_VBUS pin of the SOM.

2.2.5. **SD Card port**

The SOM exposes one SD Card interface for connecting external memory device or SD card jack.

Pin#	Pin Name	Description	Ball#
J3.47	SDC2_CLK	External SD card clock output	T48
J3.51	SDC2_CMD	External SD card Command line	U45

Pin#	Pin Name	Description	Ball#
J3.59	SDC2_DATA_0	External SD card Data 0 line	T50
J3.57	SDC2_DATA_1	External SD card Data 1 line	V46
J3.55	SDC2_DATA_2	External SD card Data 2 line	P46
J3.53	SDC2_DATA_3	External SD card Data 3 line	R47
J3.43	SD_CARD_DET_N	SD card detect line active low	D38

Table 2-13 SD Card signals.

2.2.6. Audio Ports

The SOM has onboard Audio codec based on WCD9320 chip.
The following features are exposed:

- 2 analog pre-biased, single ended microphones.
Microphones support DC measurements (bypass Tx front-end)
Programmable input gain: 0, 6, 12, and 18 dB
Cap less (DC-coupled, legacy mode not supported); fixed Z regardless of gain
IEC ESD protection both inputs
- One single-ended input for multi-button headset control
- Four single-ended line outputs; 600 Ω ; ground referenced, 1 V_{rms} output
- Class-H differential earpiece output, 10.67 Ω to 32 Ω , 125 mW into 32 Ω ; 150 mW into 16 or 10.67 Ω
- Six Digital Microphones; three clock lines; nine supported frequencies

Pin#	Pin Name	Description	Ball#
J3.6	DMIC1_CLK	Digital microphone 1 clock output	WCD9320.11
J3.8	DMIC1_DATA	Digital microphone 1 data input	WCD9320.17
J3.10	DMIC2_CLK	Digital microphone 2 clock output	WCD9320.23
J3.12	DMIC2_DATA	Digital microphone 2 data input	WCD9320.30
J3.22	MBHC_HSDDET	Headset detect line	WCD9320.31
J3.2	DMIC0_CLK	Digital microphone 0 clock output	WCD9320.36
J3.4	DMIC0_DATA	Digital microphone 0 data input	WCD9320.42
J3.14	MIC2_INP	Mic2 input positive	WCD9320.50
J3.20	MIC4_INN	Mic4 input negative	WCD9320.56
J3.18	MIC4_INP	Mic4 input positive	WCD9320.62
J3.28	HPH_REF	Headset Reference ground (should be connected to DGND near headset connector)	WCD9320.65
J3.16	MIC2_INN	Mic2 input negative	WCD9320.68
J3.3	LINE_OUT2	Line out 2 output	WCD9320.69
J3.7	LINE_OUT4	Line out 4 output	WCD9320.70
J3.5	LINE_OUT3	Line out 3 output	WCD9320.75
J3.24	HPH_LP	Headset left positive	WCD9320.77
J3.1	LINE_OUT1	Line out 1 output	WCD9320.80
J3.26	HPH_RM	Headset right negative	WCD9320.82

Table 2-14 Audio signals.

2.2.7. PMIC GPIO ports

The SOM exposes 7 PMIC GPIO ports to use as GPIO/PWM/CLOCK sources.

Pin#	Pin Name	Description	Ball#
J2.39	PM8941_GPIO_13	PMIC GPIO 13	PM8941.157
J2.37	PM8941_GPIO_29	PMIC GPIO 29	PM8941.159
J2.35	PM8941_GPIO_17	PMIC GPIO 17	PM8941.165
J2.33	PM8941_GPIO_32	PMIC GPIO 32	PM8941.166
J2.65	KEY_VOLP_N	Volume UP key	PM8941.61
J2.41	PM8941_GPIO_08	PMIC GPIO 08	PM8941.94

Table 2-15 PMIC GPIO signals.

2.2.8. BLSP ports

The SOM exposes 8 BLSP ports each 4 bit width. Each bit can be configured to one of the following features:

Option	Configuration	BLSP bit 3	BLSP bit 2	BLSP bit 1	BLSP bit 0
	BLSP1 GPIO pins BLSP2 GPIO pins BLSP3 GPIO pins BLSP6 GPIO pins BLSP8 GPIO pins BLSP10 GPIO pins BLSP11 GPIO pins BLSP12 GPIO pins	GPIO_0 GPIO_4 GPIO_8 GPIO_27 GPIO_45 GPIO_53 GPIO_81 GPIO_85	GPIO_1 GPIO_5 GPIO_9 GPIO_28 GPIO_46 GPIO_54 GPIO_82 GPIO_86	GPIO_2 GPIO_6 GPIO_10 GPIO_29 GPIO_47 GPIO_55 GPIO_83 GPIO_87	GPIO_3 GPIO_7 GPIO_11 GPIO_30 GPIO_48 GPIO_56 GPIO_84 GPIO_88
1	4-pin UART	UART_TX DO 4-pin UART transmit data	UART_RX DI 4-pin UART receive data	UART_CTS_N DI 4-pin UART clear-to-send	UART_RFR_N DO 4-pin UART ready-for-recv
2	2-pin UART + 2-pin I2C	UART_TX DO 2-pin UART transmit data	UART_RX DI 2-pin UART receive data	I2C_SDA B I2C serial data	I2C_SCL B I2C serial clock
3	2-pin UART + 2-GPIOs	UART_TX DO 2-pin UART transmit data	UART_RX DI 2-pin UART receive data	GPIO_XX B Configurable I/O	GPIO_XX B Configurable I/O
4	4-pin SPI	SPI_DATA_MOSI B 4-pin SPI master out/slave in	SPI_DATA_MISO B 4-pin SPI master in/slave out	SPI_CS_N B 4-pin SPI chip select	SPI_CLK B 4-pin SPI clock
5	2-pin UIM + 2-pin I2C	UIM_DATA B UIM data	UIM_CLK DO UIM clock	I2C_SDA B I2C serial data	I2C_SCL B I2C serial clock
6	2-pin UIM + 2 GPIO	UIM_DATA B UIM data	UIM_CLK DO UIM clock	GPIO_XX B Configurable I/O	GPIO_XX B Configurable I/O
7	2-pin I2C + 2 GPIOs	GPIO_XX B Configurable I/O	GPIO_XX B Configurable I/O	I2C_SDA B I2C serial data	I2C_SCL B I2C serial clock
8	4 GPIOs	GPIO_XX B Configurable I/O	GPIO_XX B Configurable I/O	GPIO_XX B Configurable I/O	GPIO_XX B Configurable I/O

Pin#	Pin Name	Description	Ball#
J3.73	BLSP1_0	Low Speed Peripheral Interface 1 bit 0	BG13
J3.75	BLSP1_1	Low Speed Peripheral Interface 1 bit 1	BF12
J3.77	BLSP1_2	Low Speed Peripheral Interface 1 bit 2	BF14
J3.79	BLSP1_3	Low Speed Peripheral Interface 1 bit 3	BH12
J2.23	BLSP10_0	Low Speed Peripheral Interface 10 bit 0	A23
J2.25	BLSP10_1	Low Speed Peripheral Interface 10 bit 1	C23
J2.27	BLSP10_2	Low Speed Peripheral Interface 10 bit 2	D22
J2.29	BLSP10_3	Low Speed Peripheral Interface 10 bit 3	B22
J3.38	BLSP12_0	Low Speed Peripheral Interface 12 bit 0	H44
J3.36	BLSP12_1	Low Speed Peripheral Interface 12 bit 1	E47
J3.34	BLSP12_2	Low Speed Peripheral Interface 12 bit 2	D42
J3.32	BLSP12_3	Low Speed Peripheral Interface 12 bit 3	C41
J3.17	BLSP2_0	Low Speed Peripheral Interface 2 bit 0 (used for DEBUG UART)	E31
J3.15	BLSP2_1	Low Speed Peripheral Interface 2 bit 1 (used for DEBUG UART)	C31
J3.13	BLSP2_2	Low Speed Peripheral Interface 2 bit 2 (used for DEBUG UART)	D30
J3.11	BLSP2_3	Low Speed Peripheral Interface 2 bit 3 (used for DEBUG UART)	C29
J3.63	BLSP3_0	Low Speed Peripheral Interface 3 bit 0	BE11
J3.65	BLSP3_1	Low Speed Peripheral Interface 3 bit 1	BH10
J3.67	BLSP3_2	Low Speed Peripheral Interface 3 bit 2	BE13
J3.69	BLSP3_3	Low Speed Peripheral Interface 3 bit 3	BG11
J3.39	BLSP6_0	Low Speed Peripheral Interface 6 bit 0	G17
J3.37	BLSP6_1	Low Speed Peripheral Interface 6 bit 1	F16
J3.35	BLSP6_2	Low Speed Peripheral Interface 6 bit 2	E15
J3.33	BLSP6_3	Low Speed Peripheral Interface 6 bit 3	A11
J1.40	BLSP8_0	Low Speed Peripheral Interface 8 bit 0	C17
J1.42	BLSP8_1	Low Speed Peripheral Interface 8 bit 1	A15
J1.44	BLSP8_2	Low Speed Peripheral Interface 8 bit 2	B14
J1.46	BLSP8_3	Low Speed Peripheral Interface 8 bit 3	D16
J3.70	BLSP9_0	Low Speed Peripheral Interface 9 bit 0	AH50
J3.68	BLSP9_1	Low Speed Peripheral Interface 9 bit 1	AE47
J3.66	BLSP9_2	Low Speed Peripheral Interface 9 bit 2	AC49
J3.64	BLSP9_3	Low Speed Peripheral Interface 9 bit 3	AA49

Table 2-16 BLSP signals.

2.2.9. JTAG port

Pin#	Pin Name	Description	Ball#
J3.50	JTAG_SRST_N	JTAG interface SRST pin	AM44

Pin#	Pin Name	Description	Ball#
J3.42	JTAG_TCK	JTAG interface TCK pin	AG45
J3.44	JTAG_TDI	JTAG interface TDI pin	AL45
J3.52	JTAG_TDO	JTAG interface TDO pin	AP46
J3.48	JTAG_TMS	JTAG interface TMS pin	AK44
J3.46	JTAG_TRST_N	JTAG interface TRST pin	AJ45
J1.48	JTAG_PS_HOLD	JTAG PS hold signal input to the SOM	

Table 2-17 JTAG signals.

2.2.10. BOOT configuration

Normally the SOM gets its software code from on-SOM eMMC storage chip. The boot process consists of SBL > LK boot loader > Android kernel. The SBL part is preprogrammed by Variscite and customer does not have an access to burning software or source code. The SBL code is programmed via USB or JTAG. The programming mode is set by tying BOOT_USB pin to 1.8V. The customer can use this pin as GPO only, or assure that this pin will be 0V on reset.

The LK boot loader have two parts: one is fast boot SW to re-flash the board and the second is normal Android boot process. The board is preprogrammed with the running LK boot loader by Variscite. The customer can change the LK boot loader and reprogram it into the eMMC storage chip via fast boot. The fast boot mode is set by tying the PM_RESIN_N pin to 0V. The customer can change this behavior, but the initial programming should be done by tying PM_RESIN_N to 0V.

The pins BOOT_CFG0, BOOT_CFG1, BOOT_CFG2 are reserved to other boot modes and should be used as GPO only.

2.2.11. Power

The SOM exposes battery connection and USB compatible charger.

Charger features:

- Fully integrated up to +28 V (integrated OVP FET)
- Supported battery technologies Lithium-ion, lithium-ion polymer
- Supported charging modes: Trickle, constant current and constant voltage modes.
More automated for less software interaction
- Integrated Battery MOSFET
- Charging current up to 2500mA

Pin#	Pin Name	Description	Ball#
J1.4	DGND	Digital Ground	
J1.8	DGND	Digital Ground	
J1.12	DGND	Digital Ground	
J1.18	DGND	Digital Ground	
J1.24	DGND	Digital Ground	
J1.26	DGND	Digital Ground	
J1.28	DGND	Digital Ground	
J1.30	DGND	Digital Ground	
J1.32	DGND	Digital Ground	
J1.34	DGND	Digital Ground	
J1.36	DGND	Digital Ground	
J1.38	DGND	Digital Ground	
J1.57	DGND	Digital Ground	
J1.58	DGND	Digital Ground	
J1.63	DGND	Digital Ground	
J1.64	DGND	Digital Ground	
J2.6	DGND	Digital Ground	
J2.12	DGND	Digital Ground	
J2.18	DGND	Digital Ground	
J2.21	DGND	Digital Ground	
J2.24	DGND	Digital Ground	
J2.31	DGND	Digital Ground	
J2.43	DGND	Digital Ground	
J2.46	DGND	Digital Ground	
J2.49	DGND	Digital Ground	
J2.63	DGND	Digital Ground	
J2.69	DGND	Digital Ground	
J2.73	DGND	Digital Ground	
J2.80	DGND	Digital Ground	
J3.9	DGND	Digital Ground	

Pin#	Pin Name	Description	Ball#
J3.19	DGND	Digital Ground	
J3.30	DGND	Digital Ground	
J3.31	DGND	Digital Ground	
J3.40	DGND	Digital Ground	
J3.41	DGND	Digital Ground	
J3.45	DGND	Digital Ground	
J3.49	DGND	Digital Ground	
J3.54	DGND	Digital Ground	
J3.61	DGND	Digital Ground	
J3.71	DGND	Digital Ground	
J3.72	DGND	Digital Ground	
J1.23	USB_CHRGR_IN	Charger input power supply	PM8941.172
J1.25	USB_CHRGR_IN	Charger input power supply	PM8941.172
J1.27	USB_CHRGR_IN	Charger input power supply	PM8941.172
J1.29	USB_CHRGR_IN	Charger input power supply	PM8941.172
J1.31	USB_CHRGR_IN	Charger input power supply	PM8941.172
J1.33	USB_CHRGR_IN	Charger input power supply	PM8941.172
J1.35	USB_CHRGR_IN	Charger input power supply	PM8941.172
J1.37	USB_CHRGR_IN	Charger input power supply	PM8941.172
J1.39	USB_CHRGR_IN	Charger input power supply	PM8941.172
J1.21	USB_CHRGR_IN	Charger input power supply	PM8941.172
J1.23	USB_CHRGR_IN	Charger input power supply	PM8941.172
J1.25	USB_CHRGR_IN	Charger input power supply	PM8941.172
J1.27	USB_CHRGR_IN	Charger input power supply	PM8941.172
J1.29	USB_CHRGR_IN	Charger input power supply	PM8941.172
J1.31	USB_CHRGR_IN	Charger input power supply	PM8941.172
J1.33	USB_CHRGR_IN	Charger input power supply	PM8941.172
J1.35	USB_CHRGR_IN	Charger input power supply	PM8941.172
J1.37	USB_CHRGR_IN	Charger input power supply	PM8941.172
J1.39	USB_CHRGR_IN	Charger input power supply	PM8941.172
J1.1	VBAT	Main battery supply in (3.2V to 4.5V)	PM8941.214
J1.3	VBAT	Main battery supply in (3.2V to 4.5V)	PM8941.214
J1.5	VBAT	Main battery supply in (3.2V to 4.5V)	PM8941.214
J1.7	VBAT	Main battery supply in (3.2V to 4.5V)	PM8941.214
J1.9	VBAT	Main battery supply in (3.2V to 4.5V)	PM8941.214
J1.11	VBAT	Main battery supply in (3.2V to 4.5V)	PM8941.214
J1.13	VBAT	Main battery supply in (3.2V to 4.5V)	PM8941.214
J1.15	VBAT	Main battery supply in (3.2V to 4.5V)	PM8941.214
J1.17	VBAT	Main battery supply in (3.2V to 4.5V)	PM8941.214

Pin#	Pin Name	Description	Ball#
J1.19	VBAT	Main battery supply in (3.2V to 4.5V)	PM8941.214
J2.52	VCC_S1V8	1.8V power supply output	
J2.54	VCC_S1V8	1.8V power supply output	
J2.56	VCC_S1V8	1.8V power supply output	
J2.58	VCC_S1V8	1.8V power supply output	
J1.54	VREG_L17_2P85	2.80V power supply for CSI camera	PM8941.151
J1.56	VREG_L18_2P85	2.85V power supply for CSI camera	PM8941.6
J1.50	VREG_L21_2P95	2.95V SD card power supply	PM8941.89
J1.52	VREG_L21_2P95	2.95V SD card power supply	PM8941.89
J3.56	VCC_3V3	3.3V power supply output	
J3.58	VCC_3V3	3.3V power supply output	
J3.60	VCC_3V3	3.3V power supply output	
J3.62	VCC_3V3	3.3V power supply output	
J1.41	VREG_OTG	5V power supply output	PM8941.8
J1.43	VREG_OTG	5V power supply output	PM8941.8
J1.45	VREG_OTG	5V power supply output	PM8941.8
J1.47	VREG_OTG	5V power supply output	PM8941.8
J1.49	VPH_PWR	Peripheral power output. Battery voltage	PM8941.198
J1.51	VPH_PWR	Peripheral power output. Battery voltage	PM8941.198
J1.53	VPH_PWR	Peripheral power output. Battery voltage	PM8941.198
J1.55	VPH_PWR	Peripheral power output. Battery voltage	PM8941.198
J2.68	VRTC	RTC clock battery supply in	PM8941.63

Table 2-18 Power pins.

2.2.12. Wi-Fi & Bluetooth

The SOM include QCA6234 Integrated Dual-Band 802.11 a/b/g/n WLAN + Bluetooth 4.0, Class 1.5 Module optimized for low-power.

The QCA6234 integrates the complete transmit/receive RF paths including baluns, switches, and reference oscillator. The device is also pre-calibrated, eliminating the need for customer production calibration.

Near zero power consumption in idle and stand-by enables users to leave WLAN and BT "always on."

3. Electrical specifications

3.1. Absolute maximum ratings

Parameter	Min	Max	Unit	
VBAT	Battery supply input voltage	-0.5	6.0	V
VCHRG	Charger supply input voltage	-2	30	V
VPH_PWR	VPH supply input voltage	-0.5	6.0	V
VRTC	RTC supply input voltage	-0.5	3.5	V
USB_HS1_VBUS	USB1 VBUS input voltage	-0.5	6.0	V
USB_HS2_VBUS	USB2 VBUS input voltage	-0.5	6.0	V

Table 3-1 Absolute maximum ratings.

3.2. Operating conditions

Parameter	Min	Typ	Max	Unit	
VBAT	Battery supply input voltage	3.2	3.6	4.5	V
VCHRG	Charger supply input voltage	4.35	5.0	10	V
VPH_PWR	VPH supply input voltage	3.2	3.6	4.5	V
VRTC	RTC supply input voltage	2.0	3.0	3.3	V
USB_HS1_VBUS	USB1 VBUS input voltage	2.0	5.0	5.25	V
USB_HS2_VBUS	USB2 VBUS input voltage	2.0	5.0	5.25	V

Table 3-2 Operating conditions.

3.3. Power supplies output ratings

Parameter	Min	Typ	Max	Unit	
VPH_PWR	VPH supply output voltage Charger not connected	VBAT1	4.2	V	
VPH_PWR	VPH supply output voltage Charger not connected	VCHRG1	4.2	V	
VPH_PWR	VPH supply output current	–	1000	mA	
VCC_3V3	3.3V buck power supply voltage	VBAT1	3.3	V	
VCC_3V3	3.3V buck power supply current	–	500	mA	
VREG_OTG	5V boost power supply voltage	–	5.0	V	
VREG_OTG	5V boost power supply current	–	550	mA	
VREG_L17_2P85	2.80V L17 LDO voltage	2.7	2.80	3.3	V
VREG_L17_2P85	2.80V L17 LDO current	–	300	mA	

VREG_L18_2P85	2.85V L18 LDO voltage	2.4	2.85	3.3	V
VREG_L18_2P85	2.85V L18 LDO current	–	–	300	mA
VREG_L21_2P95	2.95V L21 LDO voltage	2.75	2.95	3.00	V
VREG_L21_2P95	2.95V L21 LDO current	–	–	600	mA
VCC_S1V8	1.8V buck power supply voltage	–	1.8	–	V
VCC_S1V8	1.8V buck power supply current	–	–	500	mA

Table 3-3 Power supplies output ratings.

3.4. Digital IO characteristics

Parameter	Comments	Min	Max	Unit	
V _{IH}	High-level input voltage	CMOS/Schmitt	1.17	2.1	V
V _{IL}	Low-level input voltage	CMOS/Schmitt	-0.3	0.63	V
V _{SHYS}	Schmitt hysteresis voltage		100	–	mV
I _{IH}	Input high leakage current	No pull-down	–	1	μA
I _{IL}	Input low leakage current	No pull-up	-1	–	μA
I _{IHPD}	Input high leakage current	With pull-down	5	30	μA
I _{ILPU}	Input low leakage current	With pull-up	-30	5	μA
V _{OH}	High-level output voltage	CMOS, at rated drive strength	2.25	1.8	V
V _{OL}	Low-level output voltage	CMOS, at rated drive strength	0	0.45	V
I _{OZH}	Tri-state leakage current	Logic high out, no pull-down	–	1	μA
I _{OZL}	Tri-state leakage current	Logic low out, no pull-up	-1	–	μA
I _{OZHPD}	Tri-state leakage current	Logic high out with pull-down	5 (390k)	30 (55k)	μA Ω
I _{OZLPU}	Tri-state leakage current	Logic low out with pull-up	-30 (55k)	-5 (390k)	μA Ω
I _{OZHKP}	Tri-state leakage current	Logic high out with keeper	-15 (30k)	-3 (150k)	μA Ω
I _{OZLKP}	Tri-state leakage current	Logic low out with keeper	3 (150k)	15 (30k)	μA Ω
C _{IN}	Input capacitance		–	2	pF

Table 3-4 Digital IO characteristics.

4. Mechanical

4.1. The SOM board mounting to the Carrier board

The SOM has 4 mounting holes for mounting it to the carrier board.
The holes plated inside and connected to GND.

4.2. Drawings of mounting the SOM board.

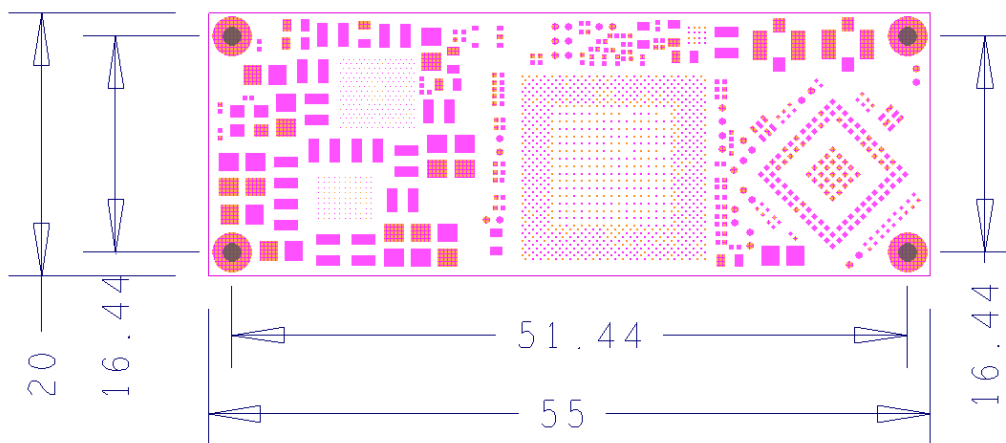


Figure 4-1 SOM Mechanical view