

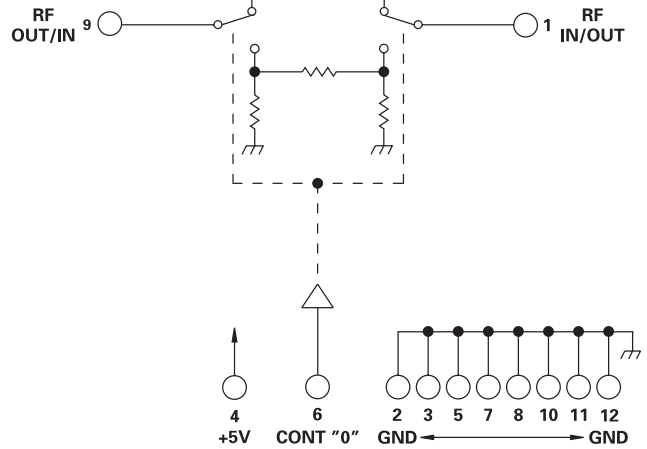
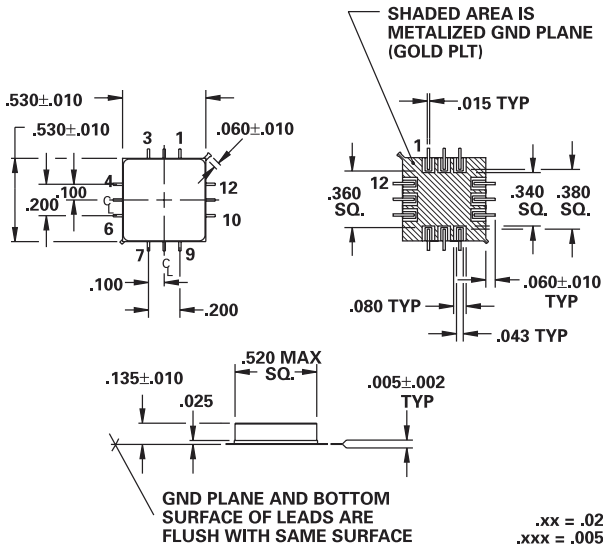
# MODEL NUMBER DAT15015

# GaAs 1 Section Attenuator

## FEATURES

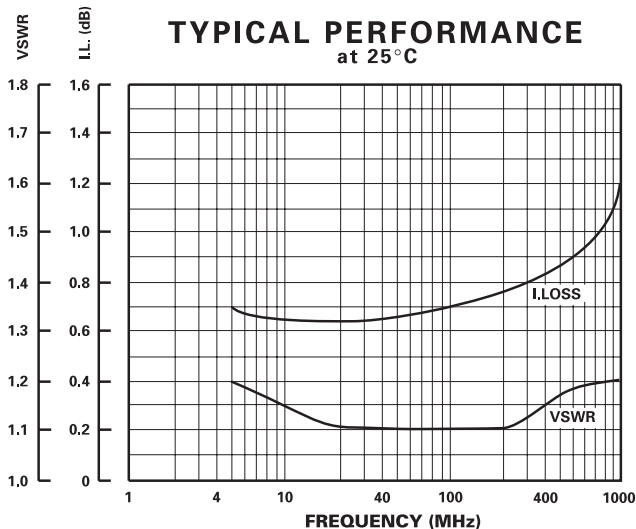
- 20-700 MHz
- 0.4 mA, +5 VDC
- 22nSec Switching Speed
- 10 nSec Rise Time
- 10, 20, or 30 dB Steps
- TTL Driver

## 1 BIT



## GUARANTEED PERFORMANCE

Parameter	Min	Typ	Max	Units	Conditions
Operating Frequency	20		700	MHz	
DC Current		0.2	1.0	mA	At +5 VDC Supply
Control Type		TTL			1 Line, Reverse Logic Available Logic "0" = Thru Logic "1" = Attenuation
Control Current		0	±20	μA	V <sub>IH</sub> = +3.0 V V <sub>IL</sub> = +0.5 V
		0	±20	μA	
Insertion Loss		1.0	1.5	dB	
Attenuation				dB	See Table
				dB	See Table
				dB	See Table
VSWR		1.1/1	1.25/1		
Impedance		50		OHMS	
Switching Speed		20	35	nSec	50% TTL to 90% / 10% RF
Transition (Rise/Fall) Time		10		nSec	90% / 10% or 10% / 90% RF
Switching (Video) Transients		45		mV	Peak Value
Intercept Points		+68		dBm	140 MHz / 200 MHz
		+35		dBm	140 MHz / 100 MHz
RF Power		+12	+10	dBm	0.1 dB Compression
		No Damage	+27	dBm	
Operating Temperature	-55	+25	+125	°C	TA



TABULATION CHART	
Part Number	Attenuation
DAT15015	10 dB ± .35 dB
DAT15016	20 dB ± .55 dB
DAT15017	30 dB ± .75 dB