

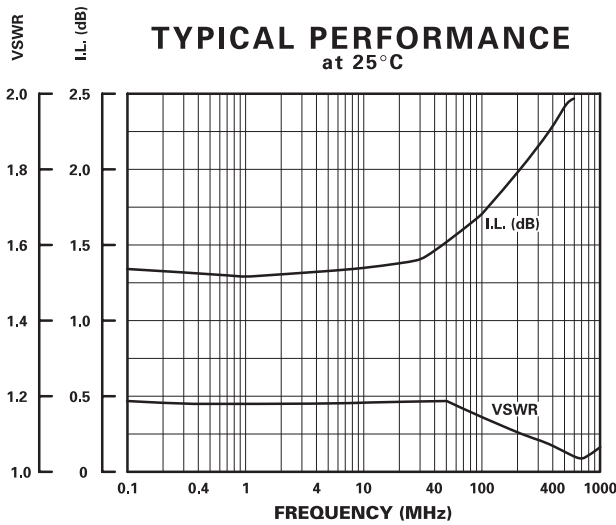
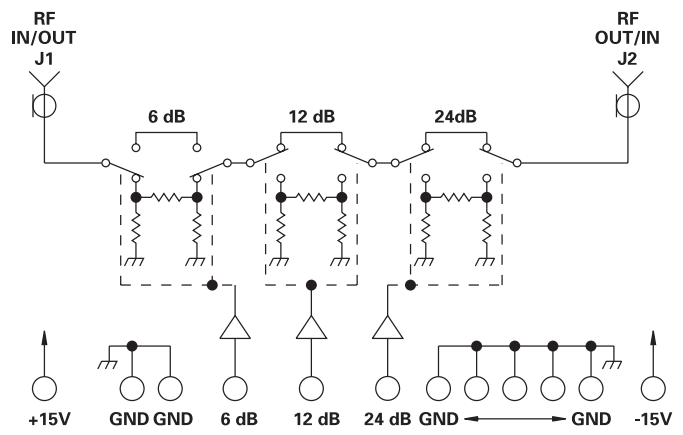
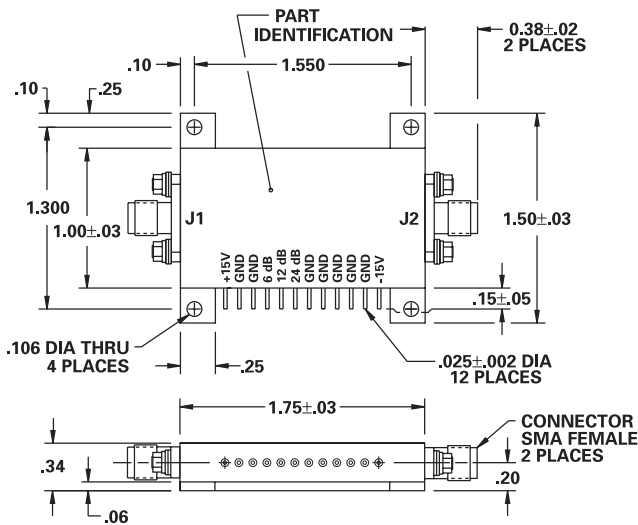
MODEL NUMBER DAT36217

Attenuator 3 Section

FEATURES

- 0.10-150 MHz
- High Intercept Points
- Stable Phase
- Fast Speed, 150 nSec

3 BIT



GUARANTEED PERFORMANCE

Parameter	Min	Typ	Max	Units	Conditions
Operating Frequency	0.10		150	MHz	
DC Current		3.5	10	mA	At +15 VDC Supply
		3.5	10	mA	At -15 VDC Supply
Control Type		TTL			3 Line Logic "1" = Attenuation
Control Current	High	±10	±100	µA	VIH = +2.7 Volts
	Low	±10	±100	µA	VIL = 0.5 Volts
Insertion Loss		1.90	3	dB	
	Flatness	0.60	2	dB	
Attenuation	LSB	6		dB	6, 12, 24 dB ± (0.25 dB +2% of Atten. Setting in dB)
	Range	42		dB	
	Accuracy			dB	
	VS Range	0.3	+1	DEG	
Phase Shift Vs. Attenuation		0.3	1	DEG	
VSWR		1.2/1	1.5/1		
Impedance		50		OHMS	
Switching Speed		150	300	nSec	50% TTL - 90% / 10% RF
Transition (Rise/Fall) Time		20		nSec	10% / 90% or 90% / 10% RF
Switching (Video) Transients		29		mV	Peak Value
Intercept Points	2nd	+75	+85	dBm	
	3rd	+35	+58	dBm	
RF Power	Operate		+25	dBm	1 dB Compression
	No Damage		+27	dBm	
Operating Temperature	-55	+25	+125	°C	TA