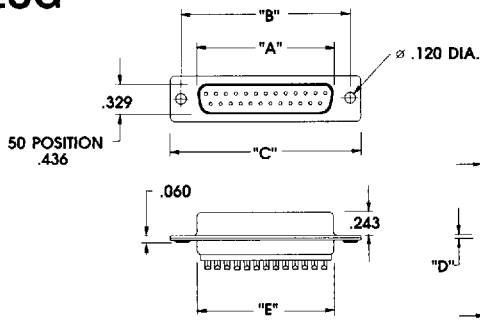


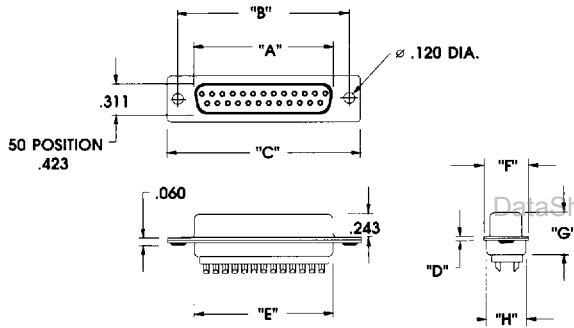


# STANDARD DENSITY SOLDERCUP D-CONNECTORS

## PLUG



## RECEPTACLES



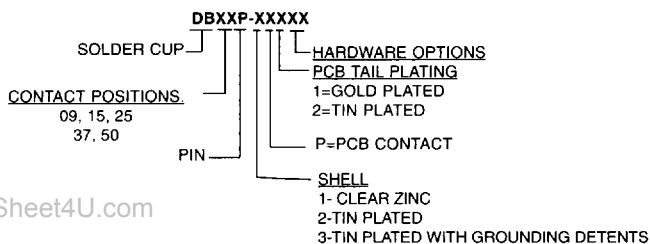
PLUGS

POS	A	B	C	D	E	F	G	H
09	.666	.984	1.213	.030	.759	.494	.422	
15	.994	1.312	1.541	.030	1.083	.494	.422	
25	1.534	1.852	2.088	.039	1.625	.494	.426	
37	2.182	2.500	2.729	.039	2.272	.494	.426	
50	2.079	2.406	2.635	.039	2.178	.605	.426	.534

RECEPTACLES

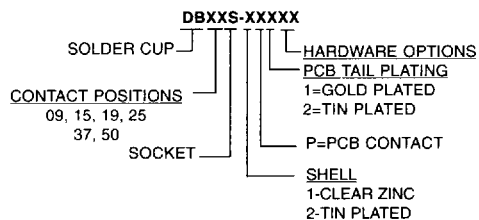
POS	A	B	C	D	E	F	G	H
09	.643	.984	1.213	.030	.759	.494	.422	
15	.971	1.312	1.541	.030	1.083	.494	.422	
25	1.511	1.852	2.088	.039	1.625	.494	.426	
37	2.159	2.500	2.729	.039	2.272	.494	.426	
50	2.064	2.406	2.635	.039	2.178	.605	.426	.534

### PART DESCRIPTION FORMAT



- NOTES:
1. INSERT-GLASS FILLED NYLON OR EQUIV. 94V-0, BLACK
  2. CONTACTS-BRASS, GOLD OVER NICKEL PLATED
  3. SHELL-STEEL

### PART DESCRIPTION FORMAT



- NOTES:
1. INSERT-GLASS FILLED NYLON OR EQUIV. 94V-0, BLACK
  2. CONTACT-PHOZ. BRONZE, GOLD PLATED OVER NICKEL
  3. SHELL-STEEL

## D-SUBMINIATURE CONNECTORS

### ELECTRICAL CHARACTERISTICS

#### Contact Current Rating:

- Crimp (with 20 AWG 0.5-0.6mm<sup>2</sup> wire)-7.5 Amperes
- Posted (.025 0.64 sq.)-5 Amperes

#### Termination Resistance

- Crimp-5 Milliohms max.
- Posted - 8 milliohms (max)

Dielectric Withstanding Voltage: 1000VAC (min.)

Insulation Resistance: 5000 Megohms

### MECHANICAL CHARACTERISTICS

Contact Engagement Force: 12 oz. (max.)

Contact Separation Force: .75 oz. (min.)

Contact Retention: Metal Shell-10lb. (min.)

#### Tensile Strength (crimp):

- With 20 AWG 0.5-0.6mm<sup>2</sup> Wire-20lb.
- With 22 AWG 0.3-0.4mm<sup>2</sup> Wire-12lb.
- With 24 AWG 0.2mm<sup>2</sup> Wire-8lb.
- With 26 AWG 0.12-0.15mm<sup>2</sup> Wire-4.5 lb.
- With 28 AWG 0.08-0.09mm<sup>2</sup> Wire-2.7 lb.

Contact Mating Force (per contact): 8oz. (max.)

## POWER D CONNECTORS

### ELECTRICAL CHARACTERISTICS

#### Contact Current Rating

- Crimp (with 12 AWG-3 mm wire) -23 Amperes

#### Termination Resistance:

- Crimp-12 Milliohms (max)

Dielectric Withstanding Voltage: 1000VAC (min.)

### MECHANICAL CHARACTERISTICS

Contact Engagement Force: 48 oz. (max.)

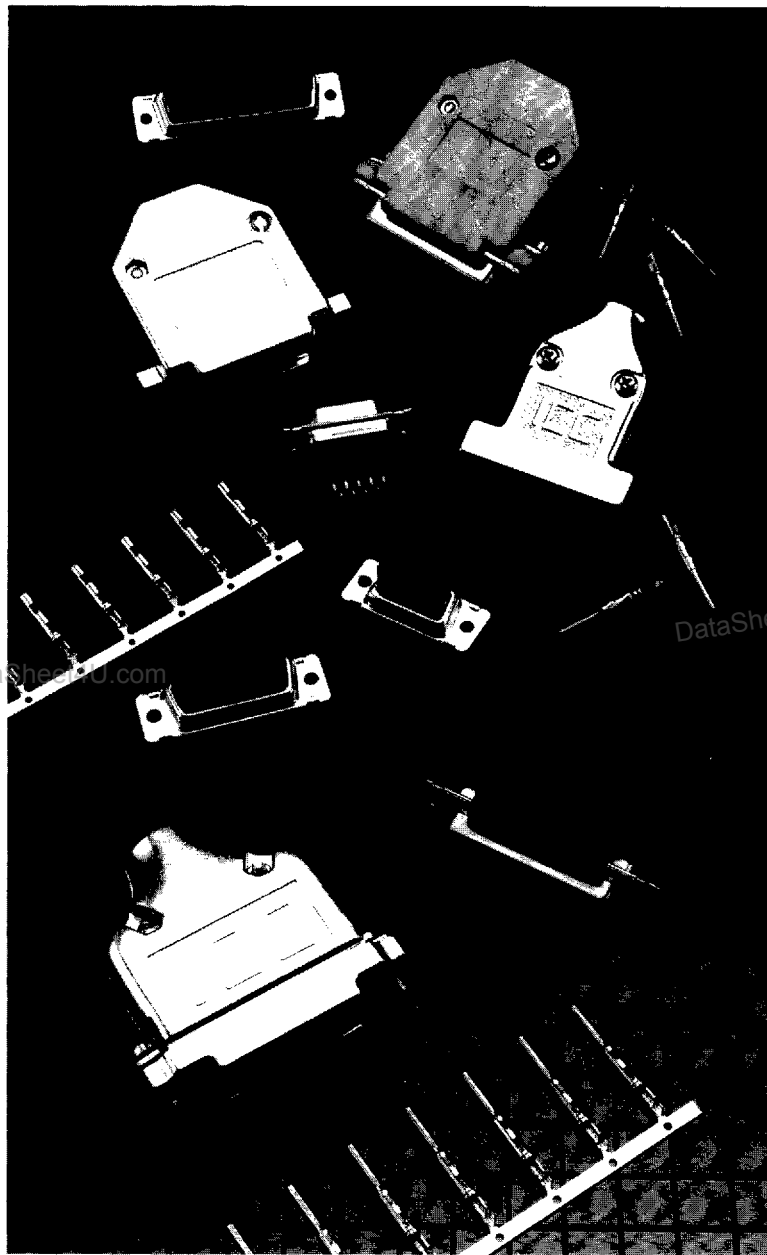
Contact Separation Force: 4 oz. (min.)

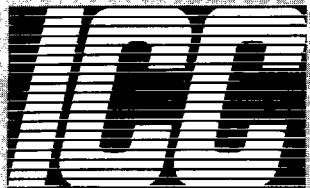
Contact Retention: 15 lb. (min.)

#### Tensile Strength (crimp):

- With 18 AWG 0.8mm Wire 38lb.
- With 16 AWG 1.4mm Wire 50lb.
- With 14 AWG 2.0mm Wire 70lb.
- With 12 AWG 3.0mm Wire 110lb.

**DIMENSIONING:** All dimensions are in inches and millimeters. Values in brackets are metric equivalents.





# STANDARD PACKAGING GUIDE

Listed below is our standard product packaging guide for you to utilize when ordering ICC, Inc. products. This should be utilized as a guide to aid you in the purchasing of our product only, and is subject to policy changes by the ICC, Inc. management.

Consult your ICC representative or the factory for the current standard packaging information.

## STANDARD PACKAGING GUIDE:

9, 15, & 25 POSITION CONNECTORS @ 500 PCS. PER BAG (MALE OR FEMALE)  
 37 POSITION CONNECTORS @ 100 PCS. PER BAG  
 50 POSITION CONNECTORS @ 100 PCS. PER BAG

10,000 PCS. PER REEL ON CONTACT (PINS OR SOCKETS)  
 5,000 PCS. PER BAG ON LOOSE PIECE CONTACTS  
 1,000 PCS. PER BAG ON LOOSE PIECE CONTACTS (UPON REQUEST)

SOLDER CUP CONNECTORS 9, 15, 25 POSITION 50 PCS PER TRAY  
 SOLDER CUP CONNECTORS 37, 50 POSITION 40 PCS PER TRAY

ALL DIP SOLDER CONNECTORS ARE PACKAGED 100 PCS. PER BOX  
 (Regardless of positions)

9 POSITION METAL CABLE CLAMPS @ 300 SETS PER BOX  
 15 & 25 POSITION METAL CABLE CLAMPS @ 250 SETS PER BOX  
 37 POSITION METAL CABLE CLAMPS @ 100 SETS PER BOX

15 POSITION ETHERNET BACKSHELLS @ 250 SETS PER BOX

9 POSITION 1 PIECE PLASTIC CABLE CLAMPS @ 500 PCS. PER BOX  
 15 POSITION 1 PIECE PLASTIC CABLE CLAMPS @ 500 PCS. PER BOX  
 25 POSITION 1 PIECE PLASTIC CABLE CLAMPS @ 500 PCS. PER BOX  
 37 POSITION 1 PIECE PLASTIC CABLE CLAMPS @ 100 PCS. PER BOX

ALL 2 PIECE PLASTIC CABLE CLAMPS PACKAGED AS ABOVE  
 (REGARDLESS OF POSITIONS)

MALE AND FEMALE SCREWLOCK ASSEMBLIES @ 500 SETS PER BAG  
 FEMALE BARREL ADAPTOR @ 100 PC INCREMENTS  
 LONG THUMB SCREWS @ 100 PC INCREMENTS

ALTERNATE PACKAGING CAN BE PROVIDED AT AN ADDITIONAL CHARGE

PLEASE USE THIS GUIDE FOR PLACING ALL YOUR NEW ORDERS IN THE ABOVE INCREMENTAL QUANTITIES.

DataSheet4U.com

**MINIMUM ORDER OF \$100.00 REQUIRED FOR FACTORY DIRECT PURCHASES. CONFIRMING PURCHASE ORDERS MUST BE SUBMITTED.**

