

# ADAM TECH

ADAM TECHNOLOGIES INC.

## INTRODUCTION:

Adam Tech Solder Cup D-Sub Connectors are ideal for assembled or molded cable assemblies. Their contact spacing is also compatible for edgeboard use with .062" thick PC boards. They are designed for I/O applications in computer peripheral, data processing, telecommunications and industrial control equipment. Their industry standard configuration provide reliable mating with a variety of options. Our design conforms to applicable specifications of MIL-C-24308 D, ISO 2110, EIA Standards RS232, RS442, RS449 and IEC 48-B-106 standards. Its low profile metal shell provides long term cycle life and EMI/ESD reductions which meet FCC Part 15, Subpart J emission limits.

## FEATURES:

- Industry compatible 9, 15, 25, 37 & 50 positions
- Dimples on male shell ensure continuity with receptacle while providing complete shielding
- Precision twin contact mating sections provide extended cycle life
- Multiple contact and shell plating options

## MATING OPTIONS:

Mates with Adam Tech D-Sub Series DSL, DPL, DPQ, DSQ, DSH, DPH. and all industry standard D-Subminiature connectors.

## SPECIFICATIONS:

### Material:

Shell: Steel, tin-plated

Optional finish: Yellow chromate over zinc

Insulator: Polybutylene Terephthalate (PBT), glass reinforced thermoplastic, rated UL 94V-0

Insulator color: Black

Optional insulator colors: White, Blue

Contacts: Pin - Brass, Socket - Phosphor Bronze

### Plating:

5  $\mu$ m gold nom. (optional 30  $\mu$ m) to MIL-G-45204, Type II, Grade C min on contact area over 50  $\mu$ m min nickel underplate to QQ-N-290, Class 2, Grade C, gold flash on solder cups.

### Electrical:

Operation voltage: 600 VDC max

Current rating: 5 Amps max

Contact resistance: 20 m $\Omega$  max

Insulation resistance: 5000 M $\Omega$  min @ 1000 VDC between adjacent contacts (75°F and 50% R.H.)

Dielectric withstanding voltage: 1000 VAC min rms (sea level)

Capacitance: 2 pF max between adjacent contacts

### Mechanical:

Insertion force: 10 ozs. max with .041" dia. pin

Withdrawal force: 7.1 ozs. min with .039" dia. pin

### Environmental:

Operating temperature: -65°C to +120°C

### ACCESSORIES:

Backshells, dustcovers, hardware, Page 69

### PACKAGING:

Anti-static plastic trays

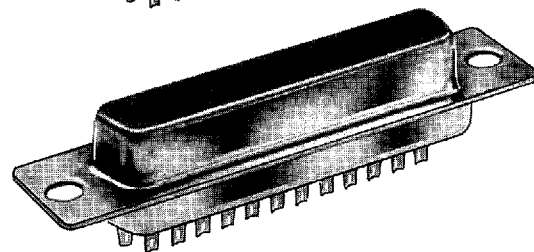
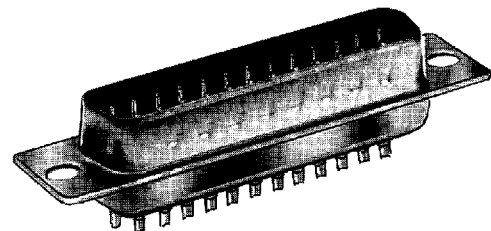
### APPROVALS AND CERTIFICATIONS:

Recognized under the component program of Underwriters Laboratories, Inc. No. E167232

Certified by Canadian Standards Association No. LR75112



# D-SUBMINIATURE SOLDER CUP DPD / DSD SERIES



## ORDERING INFORMATION

**DB25****PD****SL**

### SHELL SIZE/ POSITIONS

DE09= 9 Position

DA15= 15 Position

DB25= 25 Position

DC37= 37 Position

DD50= 50 Position

### MOUNTING OPTIONS

Blank = .120" Mounting Holes

SL = Riveted, #4-40 clinch nuts

JS = Riveted, #4-40 jack screws

### CONTACT TYPE

PD = Solder Cup, Plug

SD = Solder Cup, Socket

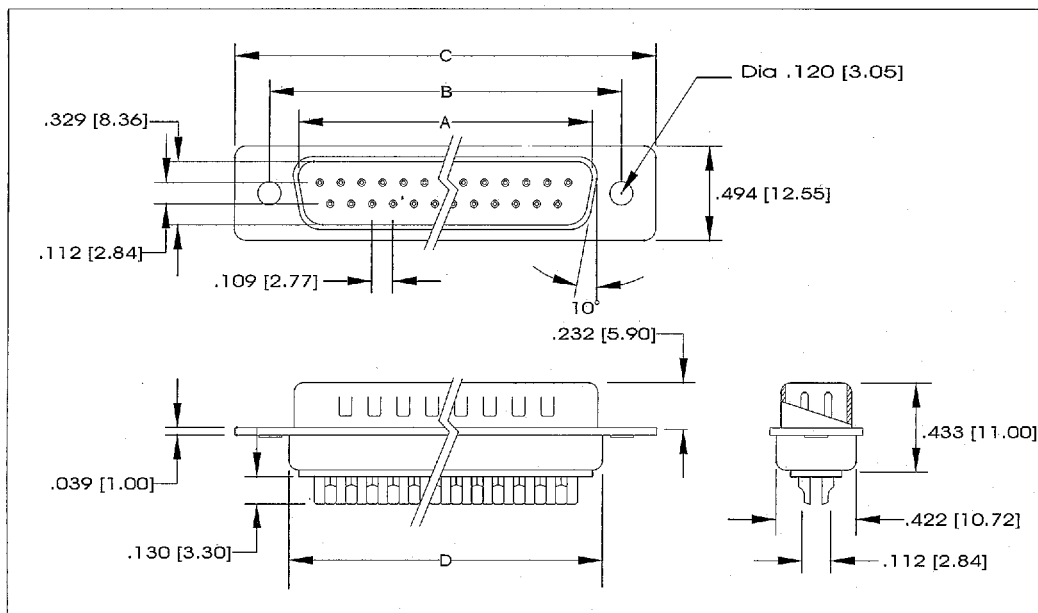
### OPTIONS:

Add as suffix to basic part number

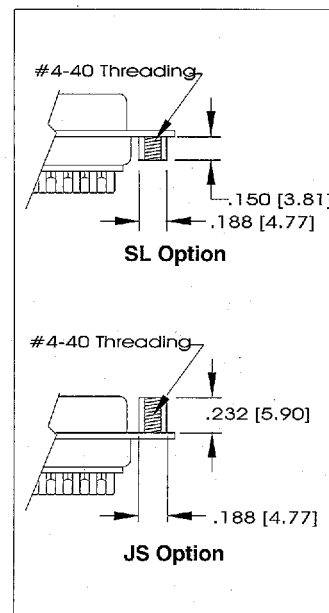
30 = 30  $\mu$ m gold plating in contact area

YW = Yellow chromate over zinc plated steel shell

### PLUG ASSEMBLY

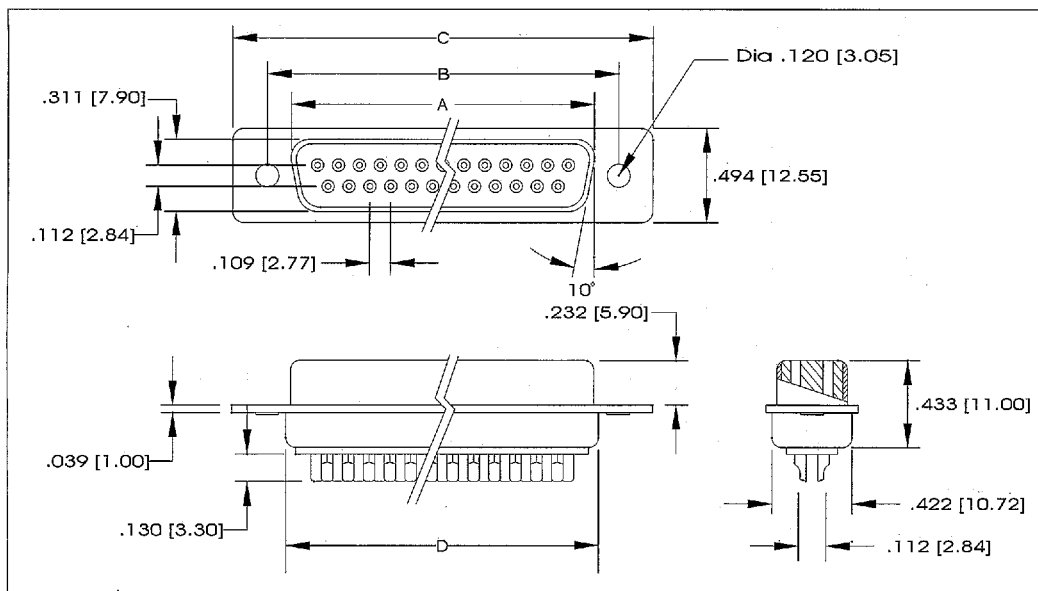


### MOUNTING OPTIONS



### SOCKET ASSEMBLY

DataSheet4U.com



Unit: Inch / mm

Dimensional: Socket Assembly					Dimensional: Plug Assembly				
CONTACTS	A	B	C	D	CONTACTS	A	B	C	D
9	.643 (16.33)	.984 (24.99)	1.213 (30.81)	.759 (19.28)	9	.666 (16.92)	.984 (24.99)	1.213 (30.81)	.759 (19.28)
15	.971 (24.66)	1.312 (33.32)	1.541 (39.14)	1.083 (27.51)	15	.994 (25.25)	1.312 (33.32)	1.541 (39.14)	1.083 (27.51)
25	1.511 (38.38)	1.852 (47.04)	2.088 (53.04)	1.625 (41.30)	25	1.534 (38.96)	1.852 (47.04)	2.088 (53.04)	1.625 (41.30)
37	2.159 (54.84)	2.500 (63.50)	2.729 (69.32)	2.272 (57.71)	37	2.182 (55.42)	2.500 (63.50)	2.729 (69.32)	2.272 (57.71)
50	2.064 (52.43)	2.406 (61.11)	2.635 (66.93)	2.178 (55.32)	50	2.079 (52.81)	2.406 (61.11)	2.635 (66.93)	2.178 (55.32)