



## CABLE SET FOR PROGRAMMING DEVICES WITH RS-232 PORT **DB9F/RJ-KPL**

db9frj\_en 08/08

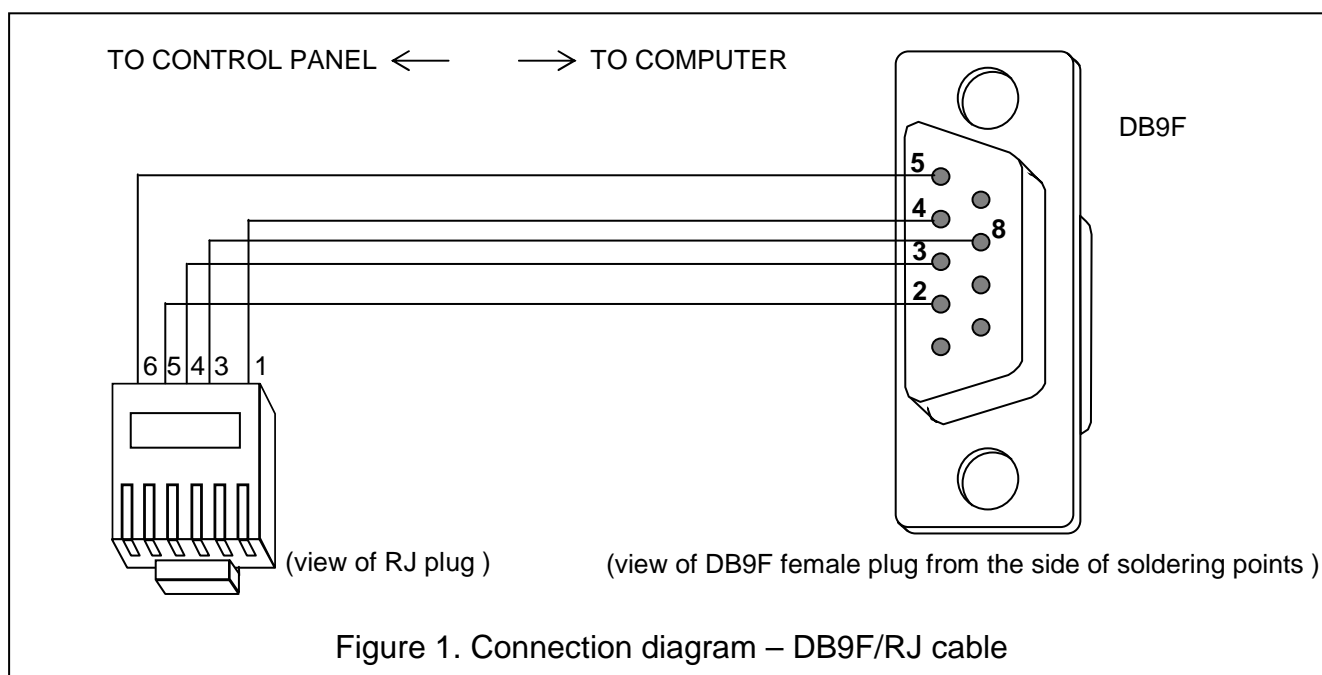
The DB9F/RJ-KPL cable set includes the DB9F/RJ main cable, RJ/PIN5-LCD adapter and connector with two RJ (6-pin) sockets. Both cables are marked by green cable flag labels with suitable symbol printed on them.

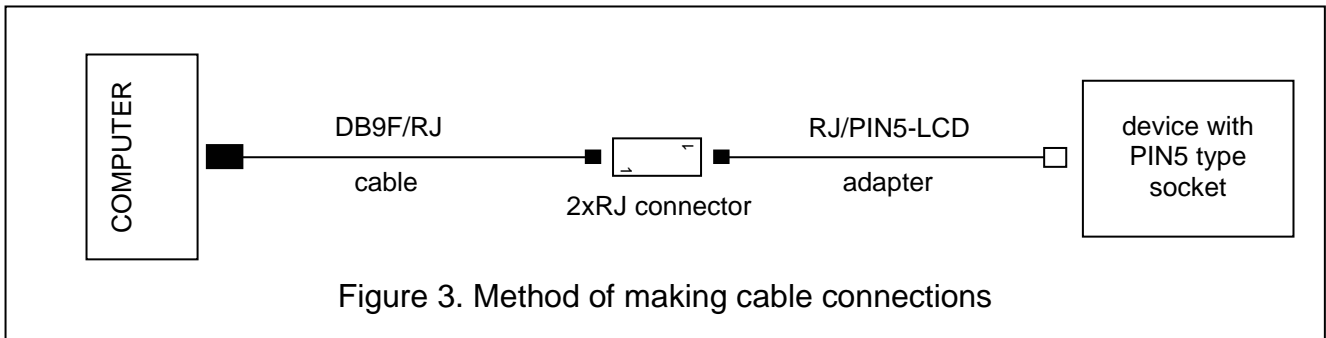
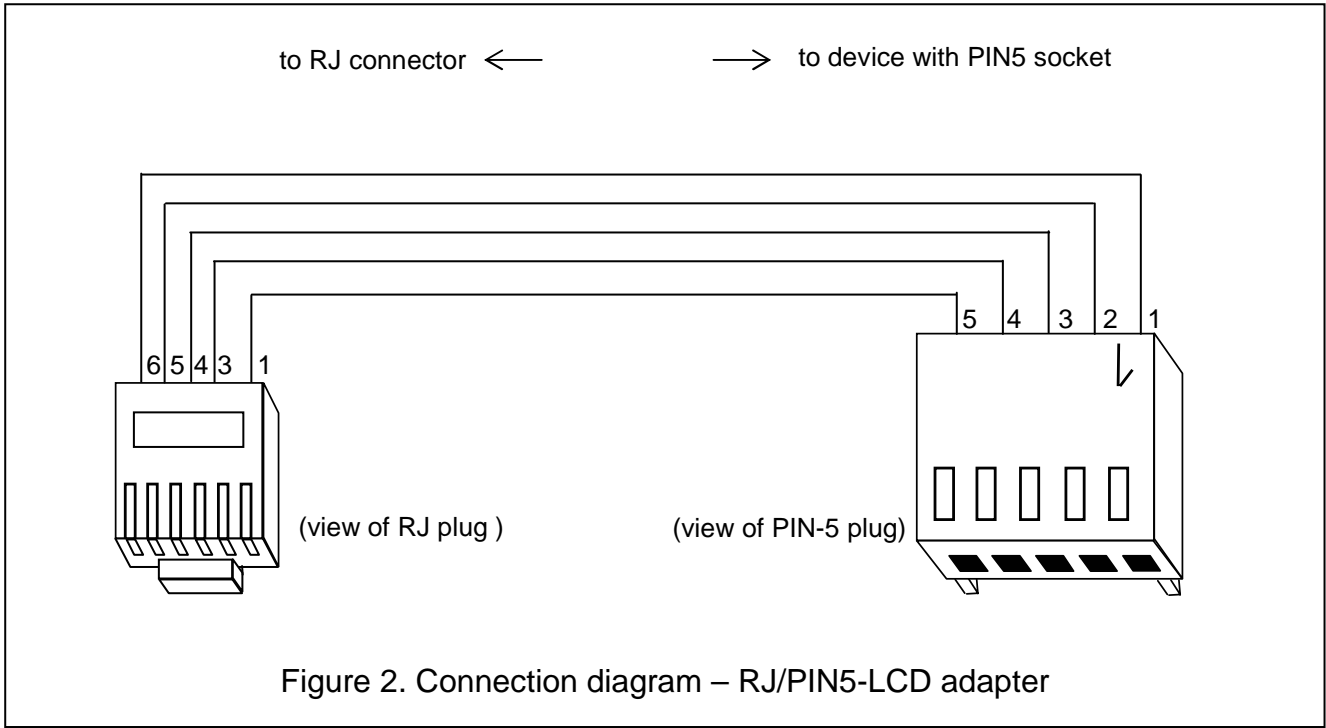
This set replaces the two cables manufactured earlier under the name of DB9F/PIN5 (or RS-CA64/CA10) and DB9F/RJ. It enables computer to be connected to devices with RS-232, port, irrespective of what type of socket is used in them (PIN-5 or RJ).

The set is designed for use with the following devices:

- INTEGRA, CA-64, CA-10 alarm control panels ;
- LCD keypads for INTEGRA, CA-64 and CA-10 control panels ;
- GSM-4S, GSM LT-2S, GSM LT-1S communication modules;
- ACU-100 controller for ABAX wireless system.

The figures below show connection diagrams.





SATEL sp. z o.o.  
ul. Schuberta 79  
80-172 Gdańsk  
POLAND  
tel. + 48 58 320 94 00  
info@satel.pl  
www.satel.pl