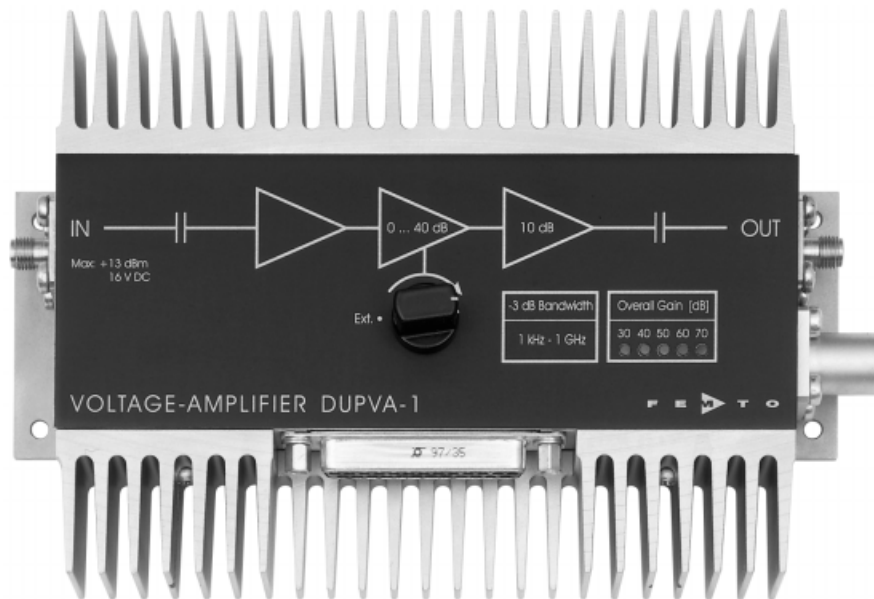


Variable-Gain Ultra-Wideband Voltage Amplifier

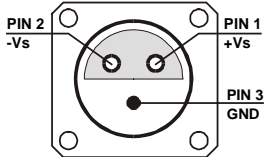


<p>Features</p>	<ul style="list-style-type: none"> • Variable Gain 20 to 60 dB, switchable in 10 dB Steps • Bandwidth 1 kHz ... 1.2 GHz • Bandwidth, Frequency- and Pulse Response independent of Gain Setting • Local and Remote Control • DC Monitor Output
<p>Applications</p>	<ul style="list-style-type: none"> • Oscilloscope and Transient-Recorder Preamplifier • Photomultiplier and Microchannel-Plate Amplifier • Signal-Booster for Optical Receivers and Current Amplifiers • Time-Resolved Pulse and Transient Measurements • Automated Measurement Systems
<p>Block Diagram</p>	<p style="text-align: right; font-size: small;">BS01-0640-13</p>

Variable-Gain Ultra-Wideband Voltage Amplifier

Specifications	<i>Test Conditions</i>	<i>V_s = ± 15 V, T_a = 25°C, System Impedance = 50 Ω</i>	
Gain	Gain Values	20, 30, 40, 50, 60 dB	
	Gain Accuracy	± 0.1 dB	(between Settings)
		± 1 dB	(Overall)
Frequency Response	Gain Flatness	± 0.15 dB	
	Lower Cut-Off Frequency	1 kHz	
	Upper Cut-Off Frequency	1.2 GHz	
Time Response	Upper Cut-Off Frequency Rolloff	40 dB/Oct.	
	Rise / Fall Time (10% - 90%)	380 ps	
Input	Group Delay	2.2 ns	
	Input Impedance AC	50 Ω	
Output	Input Impedance DC	100 kΩ	
	Input VSWR (@ 20 dB Gain)	1.12 : 1	(f < 1 GHz)
		1.7 : 1	(f < 2 GHz)
	Input VSWR (@ 30 – 60 dB Gain)	1.2 : 1	(f < 1 GHz)
		1.75 : 1	(f < 2 GHz)
	50 Ω Noise Figure	3.0 dB	(@ 60 dB Gain)
		3.5 dB	(@ 30 – 50 dB Gain)
	Equivalent Input Voltage Noise	450 pV/√Hz	(@ 60 dB Gain)
		500 pV/√Hz	(@ 30 – 50 dB Gain)
	1/f-Noise Corner	40 kHz	
Monitor Output	Output Impedance	50 Ω	
	Output Power P _{1dB}	13 dBm	(@ 100 MHz)
		10 dBm	(@ 500 MHz)
	Output Peak-Peak Voltage for linear Amplification	2 V	(@ 100 MHz)
		1.7 V	(@ 500 MHz)
	Output VSWR	1.77 : 1	(f < 1 GHz)
		2.0 : 1	(f < 2 GHz)
	Third Order Intercept Point IP ₃	21 dBm	
	Reverse Isolation	80 dB	
	Dynamic Range (w/o Average)	70 dB	(P _{1dB} – Min. Detectable Signal)
Digital Control	Monitor Output Gain	1	
	Monitor Output Voltage Range	± 10 V	
	Monitor Output Current	± 25 mA	
	Monitor Output Bandwidth	DC ... 100 kHz	
Power Supply	Control Input Voltage Range	Low: - 0.8 ... + 0.8 V High: + 1.8 ... + 12 V	
	Supply Voltage	± 15 V	
	Supply Current	+ 350 / -100 mA	
Case	Stabilized Power Supply Output	± 12 V / max. 100 mA, + 5V / max. 50 mA	
	Weight	510 gr. (1.2 lbs)	
Temperature Range	Material	AlMg4.5Mn, nickel-plated	
	Storage Temperature	-40 ... +100 °C	
	Operating Temperature	0 ... +60 °C	

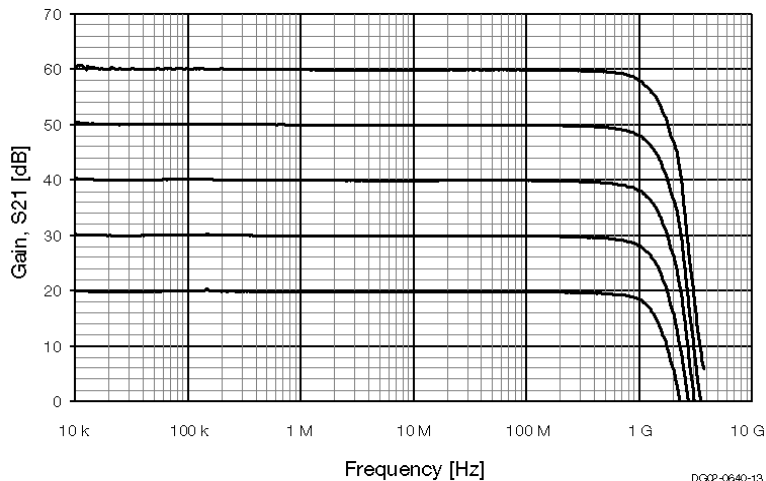
Variable-Gain Ultra-Wideband Voltage Amplifier

<p>Absolute Maximum Ratings</p>	<p>Signal Input Power + 13 dBm (f > 1 kHz) Signal Input DC Voltage ± 16 V Signal Output Reverse Power + 20 dBm Signal Output Reverse DC Voltage + 20 V / - 12 V Control Input Voltage + 16 V / - 5 V Power Supply Voltage ± 17 V</p>																														
<p>Connectors</p>	<p>Input SMA</p> <p>Output SMA</p> <p>Power Supply LEMO Series 1S, 3-pin fixed Socket Pin 1: + 15V Pin 2: - 15V Pin 3: GND</p> <div style="text-align: center;">  </div> <p>Control Port Sub-D 25-pin, female, Qual. Class 2 Pin 1: +12V (Stabilized Power Supply Output) Pin 2: -12V (Stabilized Power Supply Output) Pin 3: AGND (Analog Ground) Pin 4: +5V (Stabilized Power Supply Output) Pin 5: Monitor Output Pin 6 - 8: NC Pin 9: DGND (Ground f. Digital Control Pin 10 - 25) Pin 10 - 13: NC Pin 14: Digital Control Input: Gain, LSB Pin 15: Digital Control Input: Gain Pin 16: Digital Control Input: Gain, MSB Pin 17 - 25: NC</p>																														
<p>Remote Control Operation</p>	<p>General Remote Control Input Bits are opto-isolated and connected by logical OR to local switch setting. For remote control of the gain setting, set the local switch to "Ext." and select the wanted gain setting via a 3-bit-code at the corresponding digital inputs:</p> <table style="width: 100%; border-collapse: collapse; margin-top: 10px;"> <thead> <tr> <th style="text-align: left; border-bottom: 1px solid black;">Gain Setting - Corresponding Inputs</th> <th style="text-align: center; border-bottom: 1px solid black;">Gain</th> <th style="text-align: center; border-bottom: 1px solid black;">Pin 14</th> <th style="text-align: center; border-bottom: 1px solid black;">Pin 15</th> <th style="text-align: center; border-bottom: 1px solid black;">Pin 16</th> </tr> </thead> <tbody> <tr> <td>20 dB</td> <td style="text-align: center;">Low</td> <td style="text-align: center;">Low</td> <td style="text-align: center;">Low</td> <td style="text-align: center;">Low</td> </tr> <tr> <td>30 dB</td> <td style="text-align: center;">High</td> <td style="text-align: center;">Low</td> <td style="text-align: center;">Low</td> <td style="text-align: center;">Low</td> </tr> <tr> <td>40 dB</td> <td style="text-align: center;">Low</td> <td style="text-align: center;">High</td> <td style="text-align: center;">Low</td> <td style="text-align: center;">Low</td> </tr> <tr> <td>50 dB</td> <td style="text-align: center;">High</td> <td style="text-align: center;">High</td> <td style="text-align: center;">Low</td> <td style="text-align: center;">Low</td> </tr> <tr> <td>60 dB</td> <td style="text-align: center;">Low</td> <td style="text-align: center;">Low</td> <td style="text-align: center;">High</td> <td style="text-align: center;">High</td> </tr> </tbody> </table>	Gain Setting - Corresponding Inputs	Gain	Pin 14	Pin 15	Pin 16	20 dB	Low	Low	Low	Low	30 dB	High	Low	Low	Low	40 dB	Low	High	Low	Low	50 dB	High	High	Low	Low	60 dB	Low	Low	High	High
Gain Setting - Corresponding Inputs	Gain	Pin 14	Pin 15	Pin 16																											
20 dB	Low	Low	Low	Low																											
30 dB	High	Low	Low	Low																											
40 dB	Low	High	Low	Low																											
50 dB	High	High	Low	Low																											
60 dB	Low	Low	High	High																											

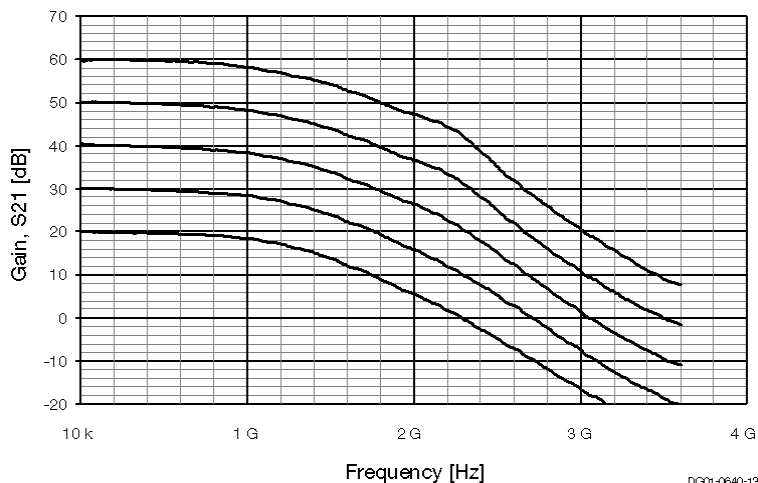
Variable-Gain Ultra-Wideband Voltage Amplifier

Typical Performance
Characteristics

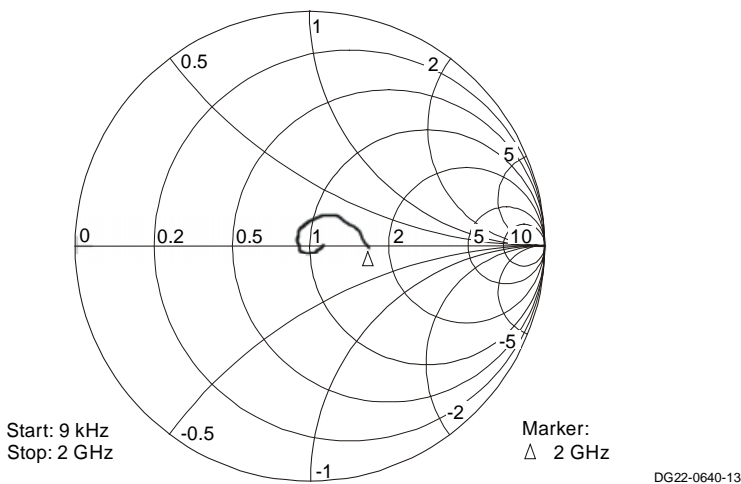
Frequency Response (Logarithmic)



Frequency Response (Linear)



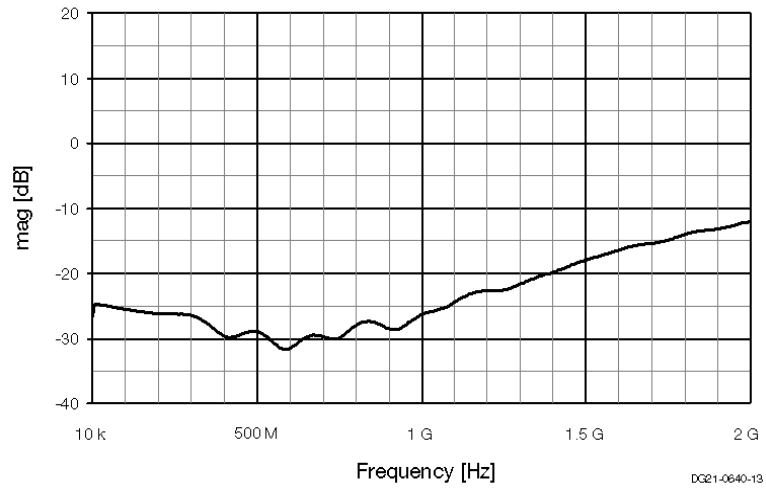
Input Reflection, S11



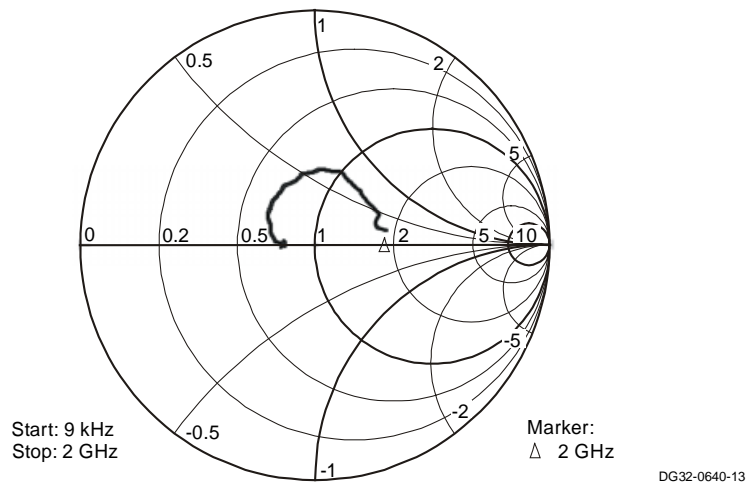
Variable-Gain Ultra-Wideband Voltage Amplifier

Typical Performance
Characteristics

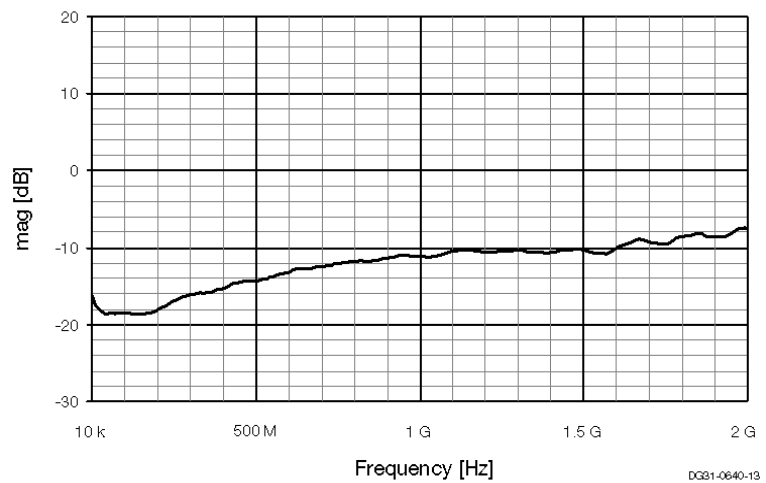
Input Return Loss, S11 (Linear Magnitude)



Output Reflection, S22

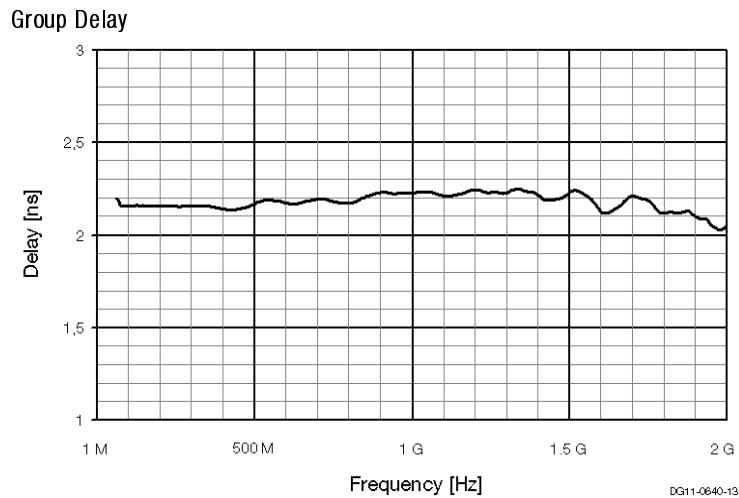


Output Return Loss, S22 (Linear Magnitude)

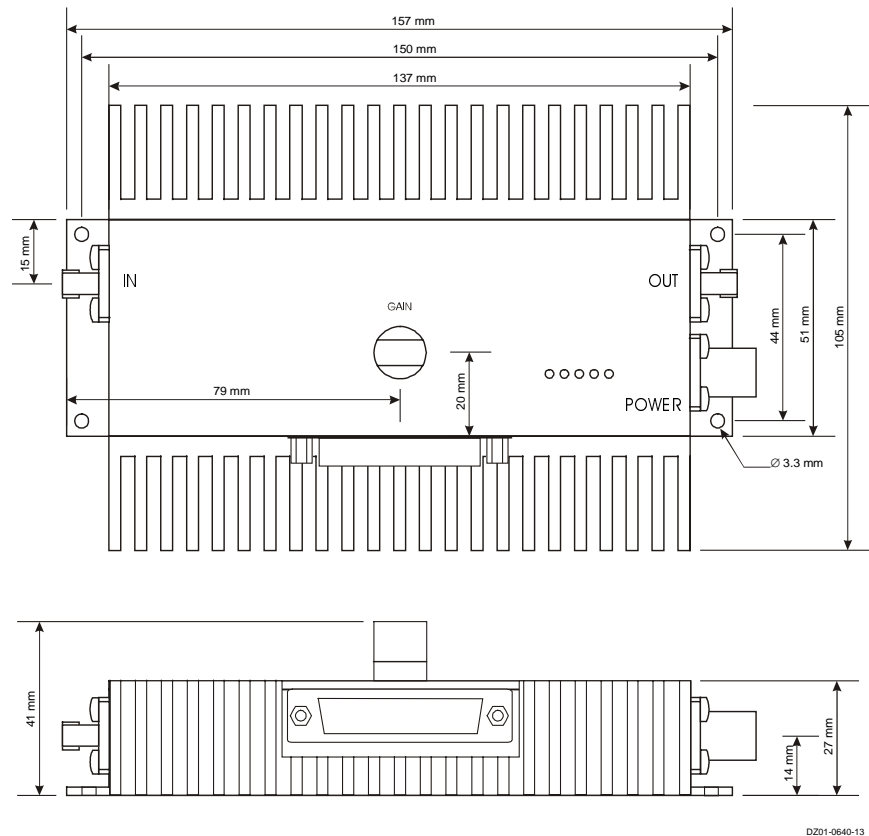


Variable-Gain Ultra-Wideband Voltage Amplifier

Typical Performance
Characteristics



Dimensions



Accessories

BNC-Adapterset

Model No.: ADAP-SMA-BNC-1
- Set of 2 SMA to BNC Adapters

Femto Messtechnik GmbH
Stargarder Str. 7
D-10437 Berlin · Germany
Tel.: +49 (0)30 – 4 46 93 86
Fax: +49 (0)30 – 4 46 93 88
e-mail: info@femto.de
http://www.femto.de

Specifications are subject to change without notice. Information furnished herein is believed to be accurate and reliable. However, no responsibility is assumed by Femto Messtechnik GmbH for its use, nor for any infringement of patents or other rights granted by implication or otherwise under any patent rights of Femto Messtechnik GmbH. Product names mentioned may also be trademarks used here for identification purposes only.
© by Femto Messtechnik GmbH
Printed in Germany