

DBF70A001

2.4GHz Wireless LAN & Bluetooth

Inquiry

Application

for 2.4GHz Wireless LAN & Bluetooth

Characteristics

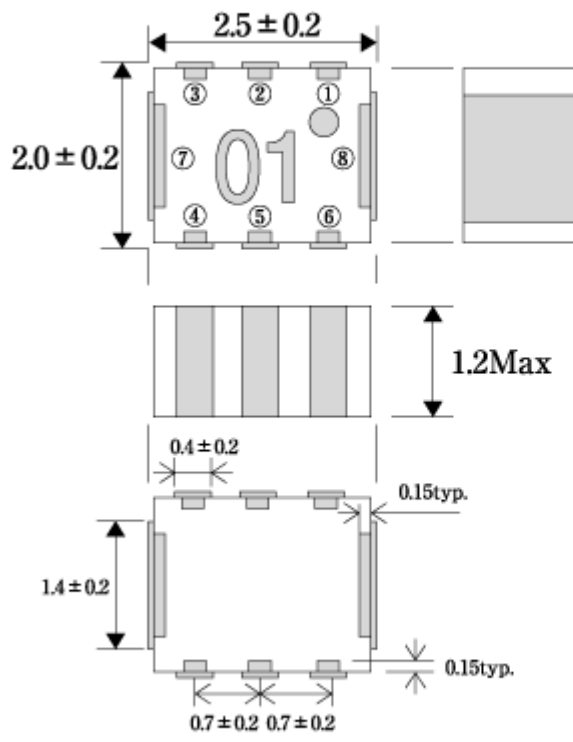
DBF70A001	
Unbalance impedance	50 ohm Nominal
Balance impedance	100 ohm Nominal
Center frequency	2450MHz
Pass band	2400-2500MHz
Insertion loss	2.0 dB max (2400-2500MHz at 25 Deg.C)
	2.3 dB max (2400-2500MHz at -40 up to +85 Deg.C)
Ripple	1.0 dB max (2400-2500MHz)
Unbalance port V.S.W.R	2.0 max (2400-2500MHz)
Attenuation	35 dB min (880-960MHz)
	30 dB min (1710-1910MHz)
	30 dB min (4800-5000MHz)
	30 dB min (7200-7500MHz) Reference
Amplitude balance	1.0 dB max (2400-2500MHz)
Phase differential	175-185 Deg. (2400-2500MHz at 25Deg.C)
	172.5-187.5 Deg. (2400-2500MHz at -40 up to +85 Deg.C)

Number of ordered pieces

2000pcs/Reel

Dimensions

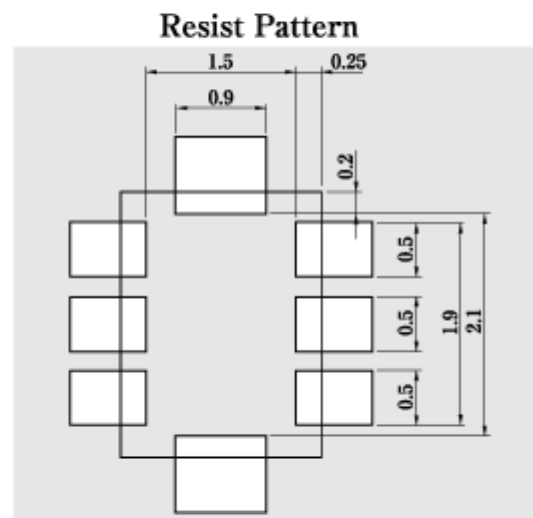
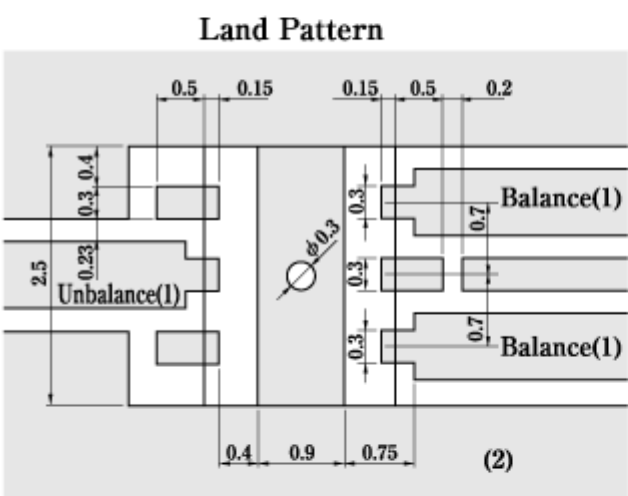
Dimensions (Unit : mm)



Terminal	
①	NC
②	Unbalance
③	NC
④	Balance
⑤	NC
⑥	Balance
⑦	GND
⑧	GND

Recommended Patterns

Balance Filter For Bluetooth & Wireless LAN
 TYPE No. : DBF70A001 (Without DC Terminal)
 Recommended Pattern (Unit : mm)



- (1) 50 ohm Impedance Line
- (2) Ground Plane

