

DBL 3842

MAXIMUM RATINGS($T_a=25^{\circ}\text{C}$)

Characteristics	Symbol	Rating	Unit
Supply Voltage	Vcc	30	V
Current Sense and Vfb Input	Vin	-0.3 to Vcc	V
Total Power Supply and Zener Current	Icc + Iz	30	mA
Output Sink of Source Current	Io	1	A
Error Amp Output Sink Current	Ieo	10	mA
Operating Ambient Temperature	Ta	0 to 70	$^{\circ}\text{C}$
Storage Temperature Range	Tstg	-65 to 150	$^{\circ}\text{C}$
Power Dissipation at $T_a \leq 50^{\circ}\text{C}$	Pd	1	W

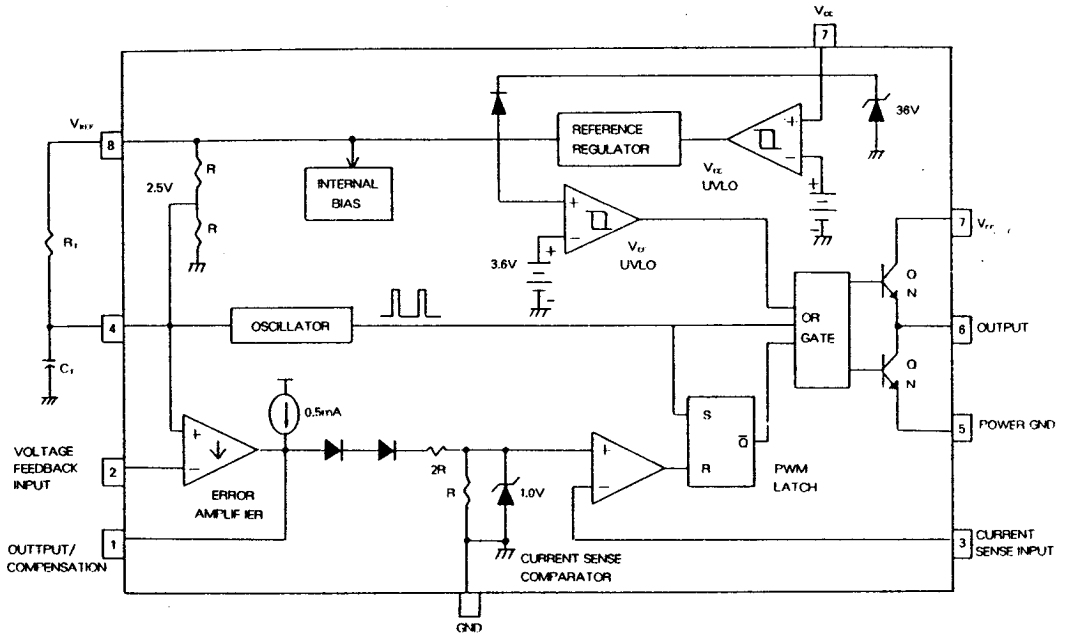
* note) All voltages are with respect to PIN5, and current are positive into the specified pin.

PIN DESCRIPTION

PIN NO	FUNCTION	DESCRIPTION
1	Compensation	Error amplifier output and is made available for loop compensation.
2	Voltage feedback	Inverting input of error amplifier, normally connected to the switching power supply output through a resistor driver.
3	Current sense	A voltage proportional to inductor current is connected to this input. The PWM uses this information to terminate the output.
4	Rt/Ct	The oscillator frequency and maximum output duty cycle are programmed by connecting resistor Rt to Vref and capacitor Ct to ground.
5	Ground	This pin is the combined control circuitry and power ground.
6	Output	This output directly drives the gate of a power MOSFET. Peak currents up to 1.0A are sourced and sunk by this pin.
7	Vcc	This pin is the positive supply of the control IC.
8	Vref	This is the reference output, it provides charging current for capacitor Ct through resistor Rt.

DBL 3842

□ BLOCK DIAGRAM



□ ELECTRICAL CHARACTERISTICS

(Unless otherwise stated, these specifications apply for $0 \leq T_a \leq 70^\circ\text{C}$; $V_{CC} = 15\text{V}$ (Note 4),

$R_1 = 10\text{K}\Omega$, $C_1 = 3.3\text{nF}$)

Characteristics	Symbol	Test Condition	Min.	Typ.	Max.	Unit
1. Reference Section						
Output Voltage	V_{ref}	$T_a = 25^\circ\text{C}$, $I_o = 1\text{mA}$	4.90	5.00	5.10	V
Line Regulation	ΔV_{ref}	$12\text{V} \leq V_{CC} \leq 25\text{V}$		6	20	mV
Load Regulation	ΔV_{ref}	$1 \leq I_o \leq 20\text{mA}$		6	25	mV
Temperature Stability	$\Delta V_{ref} / \Delta T$	(Note 1)		0.2	0.4	mV/°C
Output Noise Voltage	V_n	$10\text{Hz} \leq f \leq 10\text{KHz}$ $T_a = 25^\circ\text{C}$ (Note 1)		50		μV
Long Term Stability	S	$T_a = 125^\circ\text{C}$, 1000Hrs (Note 1)		5		mV
Output Short Circuit	I_{sc}		-30	-100	-180	mA

DBL 3842

□ ELECTRICAL CHARACTERISTICS(continued)

Characteristics	Symbol	Test Condition	Min.	Typ.	Max.	Unit
2. Oscillator Section						
Initial Accuracy	f_{sc}	$T_a=25^\circ\text{C}$	47	52	57	KHz
Voltage Stability	$\Delta f / \Delta V$	$12 \leq V_a \leq 25\text{V}$		0.2	1.0	%
Temperature Stability	$\Delta f / \Delta T$	$T_{min} \leq T_a \leq T_{max}$ (Note 1)		5		%
Amplitude	V_A	V_{pin4} Peak to Peak		1.7		V
3. Error Amp Section						
Input Voltage	V_2	$V_{pin1}=2.5\text{V}$	2.42	2.50	2.58	V
Input Bias Current	I_b			-0.3	-2.0	μA
Open loop Voltage Gain	A_{vol}	$2 \leq V_0 \leq 4\text{V}$	65	90		dB
Supply Voltage Rejection	SVR	$12 \leq V_a \leq 25\text{V}$	60	70		dB
Output Sink Current	I_o	$V_{pin2}=2.7\text{V}$, $V_{pin1}=1.1\text{V}$	2	6		mA
Output Source Current	I_o	$V_{pin2}=2.3\text{V}$, $V_{pin1}=5\text{V}$	-0.5	-0.8		mA
V_{out} High	V_{ch}	$V_{pin2}=2.3\text{V}$; $R_1=15\text{K}\Omega$ to Ground	5	6		V
V_{out} LOW	V_{cl}	$V_{pin2}=2.7\text{V}$; $R_1=15\text{K}\Omega$ to Pin8		0.7	1.1	V
4. Current Sense Section						
Gain	G_V	(Note 2 & 3)	2.8	3.0	3.2	V/V
Maximum Input Signal	V_3	$V_{pin1}=5\text{V}$ (Note 2)	0.9	3.0	1.1	V
Supply Volt Rejection	SVR	$12 \leq V_a \leq 25\text{V}$ (Note 2)		70		dB
Input Bias Current	I_b			-2	-10	μA
5. Output Section						
Output Low Level	V_{ol}	$I_{sink}=20\text{mA}$		0.1	0.4	V
		$I_{sink}=200\text{mA}$		1.5	2.2	V
Output High Level	V_{oh}	$I_{source}=20\text{mA}$	13.0	13.5		V
		$I_{source}=200\text{mA}$	12.0	13.5		V
Rise time	t_r	$T_a=25^\circ\text{C}$ $Cl=1\text{nF}$ (Note 1)		50	150	ns
Fall time	t_f	$T_a=25^\circ\text{C}$ $Cl=1\text{nF}$ (Note 1)		50	150	ns

DBL 3842

ELECTRICAL CHARACTERISTICS (continued)

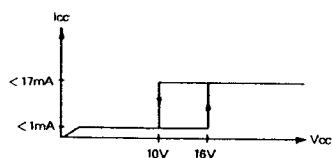
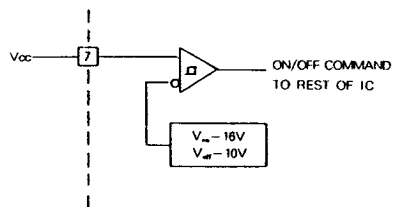
Characteristics	Symbol	Test Condition	Min	Typ.	Max	Unit
6. Under – Voltage Lockout Section						
Start Threshold	V _{th}	V _{pin7} where V _{pin8} ≥ 4.9V	14.5	16.0	17.5	V
Min. Operation Voltage After Turn – on	V _{cc(min)}	V _{pin7} where V _{pin8} ≤ 1V	8.5	10.0	11.5	V
7. PWM Section						
Maximum Duty Cycle	DC max		93	97	100	ns
8. Total Standby Section						
Start – up Current	I _{st}	V _{cc} = 14V after turn on		0.5	1.0	mA
Operating Supply Current	I _{cc}	V _{pin2} = V _{pin3} = 0V		11	20	mA
Zener Voltage	V _z	I _{cc} = 25mA		36		V

NOTE : 1. These parameters, although guaranteed, are not 100% tested in production

2. Parameter measured at trip point of latch with V_{pin2} = 0
3. Gain defined as : $A = \Delta V_{pin1} / \Delta V_{pin3}; 0 \leq V_{pin3} \leq 0.8V$
4. Adjust V_{cc} above the start threshold before setting at 15V

INFORMATION IN USING IC

1. UNDERVOLTAGE LOCKOUT

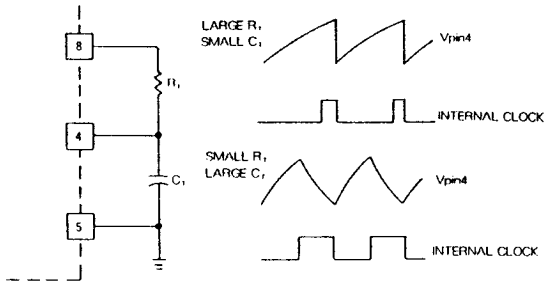


To prevent erratic output behavior which activating the power switch with extraneous leakage currents, during under voltage lock-out. Output (pin6) should be shunted to ground with a bleeder resistor.

The V_{cc} comparator upper and lower threshold are 16V/10V. The large hysteresis and low start up currents makes it ideally suited in off – line converter application where efficient bootstrap start – up techniques are required.

□ INFORMATION IN USING IC(continued)

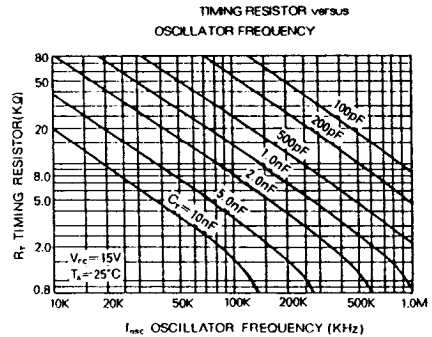
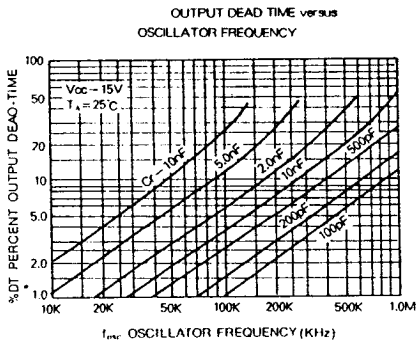
2. OSCILLATOR WAVEFORMS AND MAXIMUM DUTY CYCL



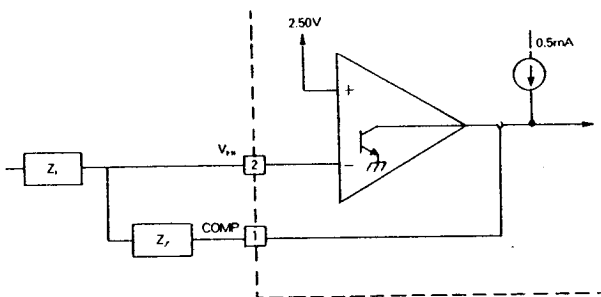
The oscillator frequency is programmed by the values selected for the timing components R_t and C_t . C_t is charged from 5V, V_{ref} , through resistor R_t to approximately 2.8V and discharged to 1.2V by an internal current sink.

During the discharge of C_t , the oscillator generates an internal blanking pulse and the center input NOR gate high.

This makes output to be in a low state and control the amount of output dead time.



3. ERROR AMP CONFIGURATION



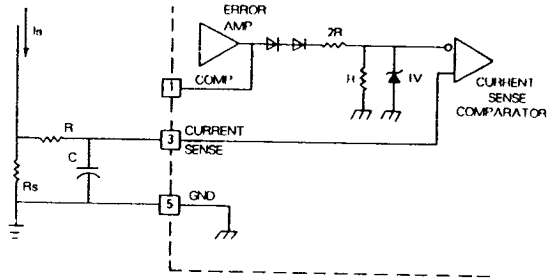
Error amp output(Pin1) is provided for external loop compensation and error amp can source or sink up to 0.5mA. The non-inverting input is internally biased at 2.5V and is not pinned out.

The converter output voltage is typically divided down and monitored by the inverting input (pin2).

□ INFORMATION IN USING IC(continued)

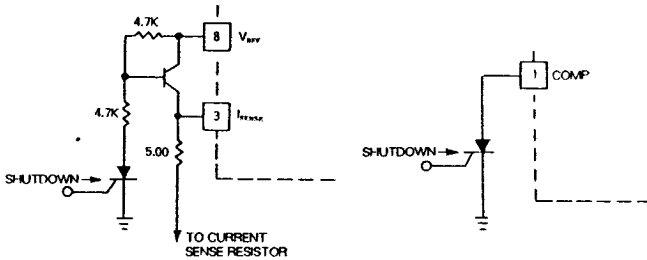
4. CURRENT SENSE CIRCUIT

$$I_{peak} = \frac{R(V_{pin1} - 2V_{be})}{3R \times R_s}$$



A normal operating conditions occurs when the power supply output is overloaded or if output voltage sensing is lost. Under these conditions, the current sense comparator threshold will be internally clamped to 1.0V. Therefore the maximum peak switch current is $I_{pk(max)} = 1.0V/R_s$, and under the normal operating conditions the peak inductor current controlled by the voltage at pin1.

5. SHUTDOWN TECHNIQUES



Shutdown of the DBL3842 can be accomplished by two methods; either raise pin3 above 1V or pull pin1 below a voltage two diodes drops above ground. Either method causes the output of the PWM comparator to be high(refer to

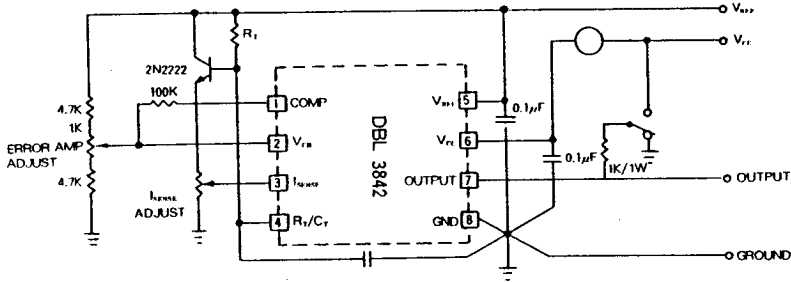
block diagram). The PWM latch is reset dominant so that the output will remain low until the next clock cycle after the shutdown condition at pins 1 and/or 3 is removed.

In one example, an externally latched shutdown may be accomplished by adding an SCR which turn off, allowing the SCR to reset.

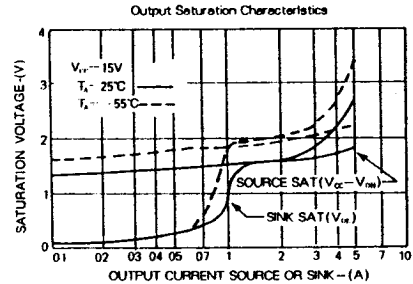
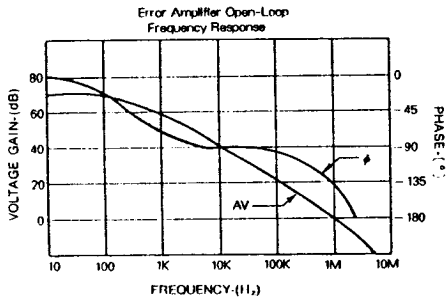
DBL 3842

□ INFORMATION IN USING IC(continued)

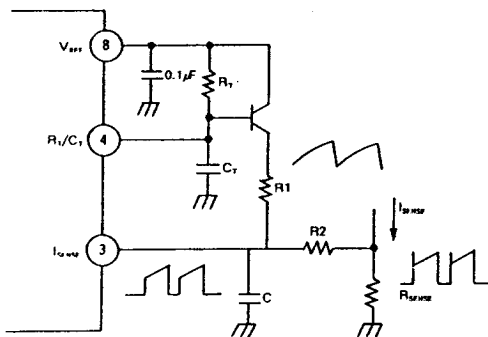
6. OPEN LOOP TEST



High peak currents associated with capacitive leads necessitate careful grounding techniques. Timing and bypass capacitors should be connected close to Pin 5 in a single point ground. The transistor and 5KΩ potentiometer are used to sample the oscillator waveform and apply an adjustable ramp to Pin 3.



7. SLOPE COMPENSATION



A fraction of the oscillator ramp can be resistively summed with the current sense signal to provide slope compensation for converters requiring duty cycle over 50%. Note that capacitor C, forms a filter with R2 to suppress the leading edge switch spikes.