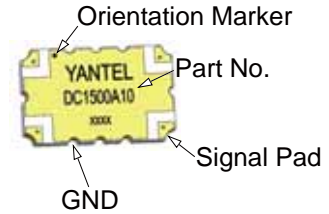


### Description

The DC1500A10 is a low profile, high performance 10dB directional coupler. It is designed for AMPS applications. This component is suitable for feed-forward amplifier and signal sampling circuits where low insertion loss, high directivity is required. It can be used in power applications up to 60 Watts.

Parts have been subjected to rigorous qualification testing and they are using materials with coefficients for thermal expansion(CTE) compatible with common substrates such as FR4, G-10, RF-35, RO4350B and polyimide.



### Features:

- 1000-2000 MHz
- AMPS
- Low Insertion Loss
- High Directivity
- Low VSWR
- Good Repeatability
- CTE compatible with FR4, G-10, RF-35, RO4350B and polyimide
- Immersion gold, prevent surface oxidation & scratch
- RoHS Compliant
- Tape & Reel Package available

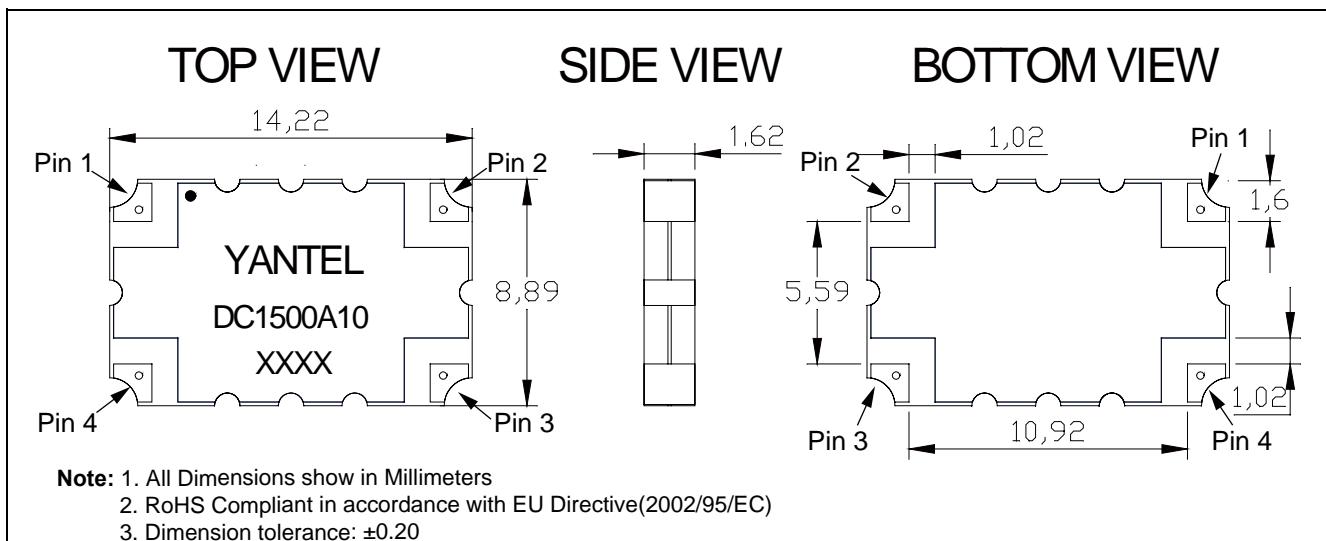
### Electrical Specifications

Frequency	Coupling	Directivity	VSWR
<i>MHz</i>	<i>dB</i>	<i>dB Min</i>	<i>Max : 1</i>
1000 - 2000	10±1.0	20	1.20
<b>Insertion Loss</b>	<b>Power</b>	<b>Operating Temp.</b>	
<i>dB Max</i>	<i>Avg. CW Watts</i>	<i>°C</i>	
0.15	60	-55 to +95	

Note:

1. All above test data resulting from specify demo board.
2. Insertion loss has removed the thru board loss.

### Mechanical Outline



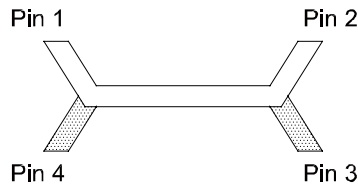
### Yantel Corporation

Add : 3rd Floor, Building 3, Southern District 2 Of Zhongguanhonghualing Industrial Park ,Xili, Nanshan, Shenzhen, China  
 Tel : 86-755-8355-1886 Fax : 86-755-8355-2533

For detailed performance specs & shopping online see Yantel web site : [www.yantel-corp.com](http://www.yantel-corp.com)

### Directional Coupler Pin Configuration

The DC1500A10 has an orientation marker to denote Pin 1. Once port one has been identified the other ports are known automatically. Please see the chart below for clarification:



Pin 1	Pin 2	Pin 3	Pin 4
Input	Transmission	Isolate	Coupling
Transmission	Input	Coupling	Isolate

### Typical Performance Data (@25 )

Frequency (MHz)	Coupling (dB)	Transmission (dB)	Insertion Loss (dB)	Directivity (dB)	Return Loss(dB)			
					S11	S22	S33	S44
1000	-10.86	-0.45	-0.07	-24.06	-23.40	-22.95	-24.63	-24.04
1050	-10.62	-0.46	-0.06	-25.41	-24.00	-23.89	-25.94	-28.43
1100	-10.45	-0.51	-0.09	-26.92	-26.31	-24.37	-27.57	-28.30
1150	-10.27	-0.51	-0.08	-28.61	-24.52	-26.34	-29.32	-28.18
1200	-10.13	-0.52	-0.07	-30.84	-27.17	-28.10	-31.87	-28.06
1250	-10.01	-0.54	-0.07	-32.94	-28.37	-28.81	-34.79	-27.95
1300	-9.94	-0.57	-0.10	-35.12	-38.55	-30.23	-39.00	-27.84
1350	-9.84	-0.56	-0.07	-36.26	-29.52	-34.44	-39.71	-27.73
1400	-9.81	-0.58	-0.09	-35.07	-36.19	-38.59	-43.44	-27.62
1450	-9.78	-0.57	-0.08	-33.09	-30.42	-35.64	-40.77	-27.52
1500	-9.77	-0.59	-0.10	-30.81	-38.14	-37.01	-39.92	-27.42
1550	-9.80	-0.58	-0.09	-29.28	-29.96	-30.87	-39.12	-27.33
1600	-9.85	-0.59	-0.10	-28.15	-45.84	-30.37	-37.04	-27.23
1650	-9.90	-0.58	-0.10	-27.27	-34.91	-33.41	-38.91	-27.14
1700	-9.96	-0.58	-0.11	-25.89	-45.38	-28.70	-37.37	-27.06
1750	-10.08	-0.56	-0.10	-24.84	-41.99	-33.25	-40.43	-26.97
1800	-10.15	-0.52	-0.07	-24.29	-41.67	-29.31	-37.65	-26.89
1850	-10.34	-0.53	-0.10	-23.51	-38.27	-30.78	-38.01	-26.81
1900	-10.48	-0.48	-0.07	-23.22	-31.35	-28.50	-35.67	-26.74
1950	-10.71	-0.49	-0.09	-23.47	-47.66	-33.83	-34.45	-26.67
2000	-10.92	-0.44	-0.06	-22.96	-30.49	-34.11	-35.70	-26.62

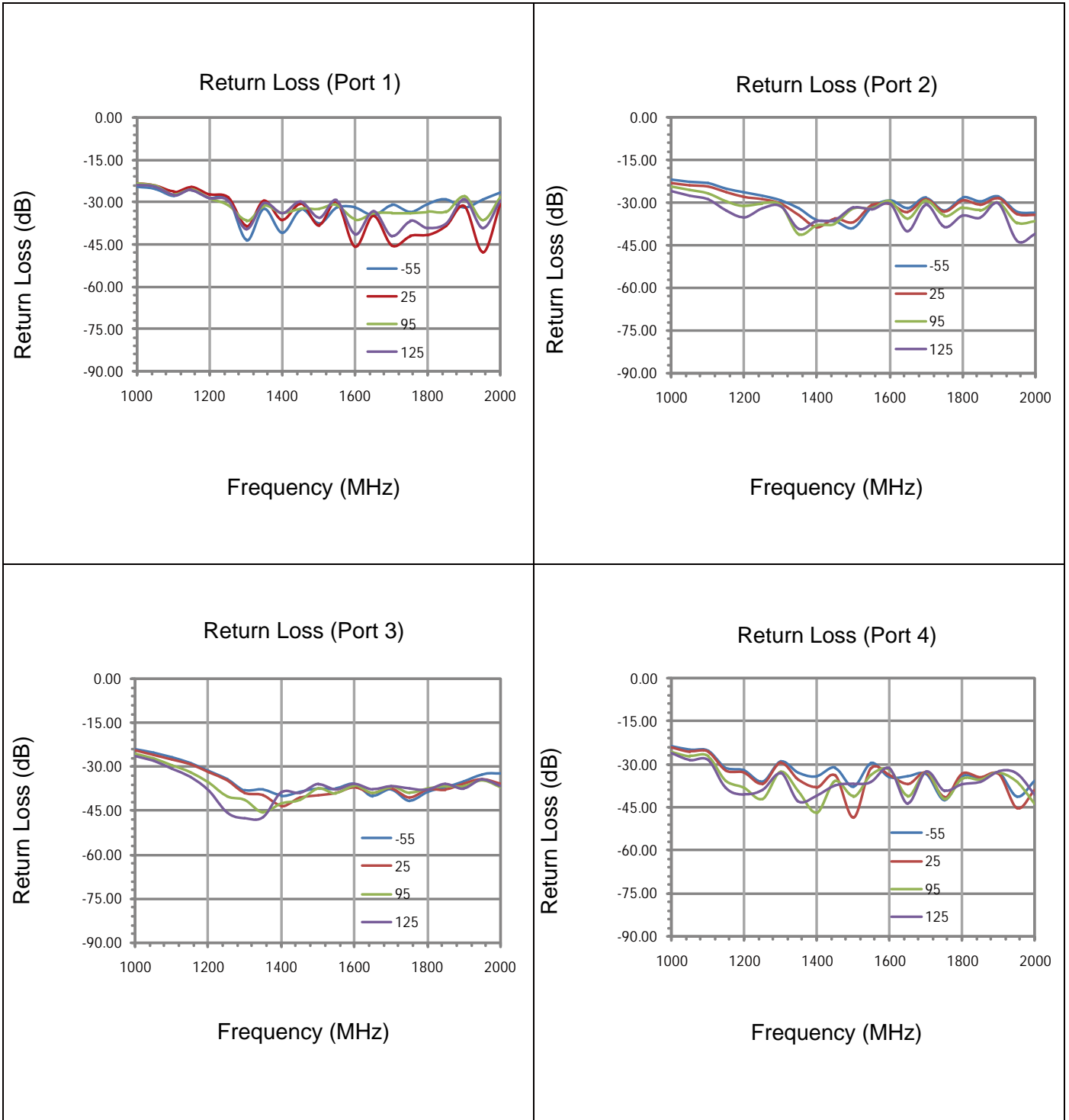
### Yantel Corporation

Add : 3rd Floor,Building3, Southern District 2 Of ZhongguanhonghualingIndustrial Park ,Xili, Nanshan,Shenzhen,China

Tel : 86-755-8355-1886 Fax : 86-755-8355-2533

For detailed performance specs & shopping online see Yantel web site : [www.yantel-corp.com](http://www.yantel-corp.com)

**Typical Performance (-55°C, 25°C, 95°C, 125°C: 1000-2000 MHz)**



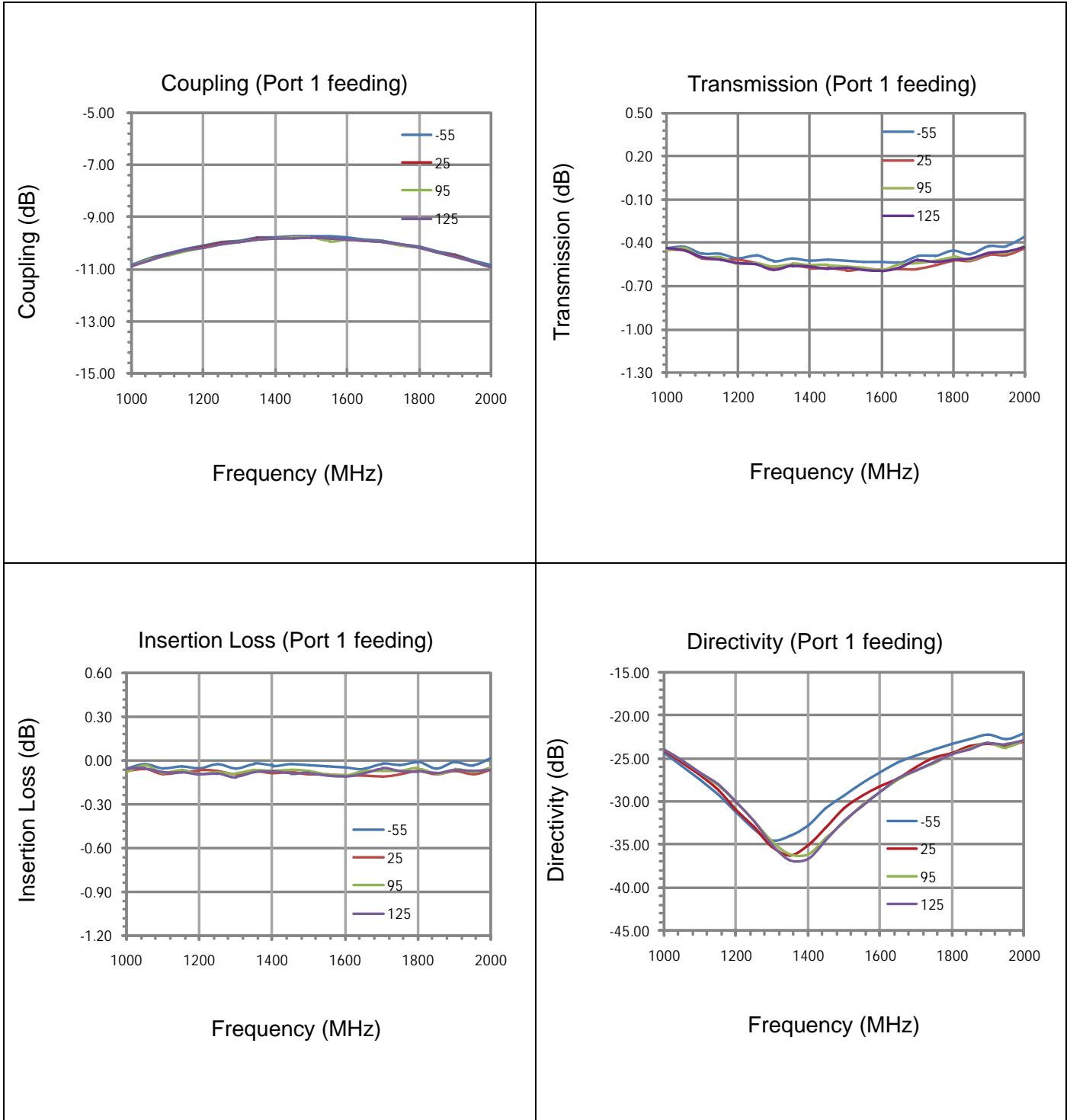
**Yantel Corporation**

Add : 3rd Floor,Building3, Southern District 2 Of ZhongguanhonghualingIndustrial Park ,Xili, Nanshan,Shenzhen,China

Tel : 86-755-8355-1886 Fax : 86-755-8355-2533

For detailed performance specs & shopping online see Yantel web site : [www.yantel-corp.com](http://www.yantel-corp.com)

**Typical Performance (-55°C, 25°C, 95°C, 125°C: 1000-2000 MHz)**



**Yantel Corporation**

Add : 3rd Floor, Building 3, Southern District 2 Of Zhongguan honghualing Industrial Park ,Xili, Nanshan, Shenzhen, China

Tel : 86-755-8355-1886 Fax : 86-755-8355-2533

For detailed performance specs & shopping online see Yantel web site : [www.yantel-corp.com](http://www.yantel-corp.com)

### Description of Measured Specifications

Parameter	Description
<b>VSWR</b>	Voltage standing wave ratio, the impedance match to 50 $\Omega$ , the ideal value is 1:1.
<b>Return Loss</b>	Loss of signal power resulting from the reflection caused by discontinuity of transmission line.
<b>Insertion Loss</b>	The input power divided by sum of power at the coupling port & transmission port.
<b>Coupling</b>	The input power divided by the power at coupling port.
<b>Transmission</b>	The input power divided by the power at transmission port.
<b>Directivity</b>	The power at the coupling port divided by the power at the isolated.

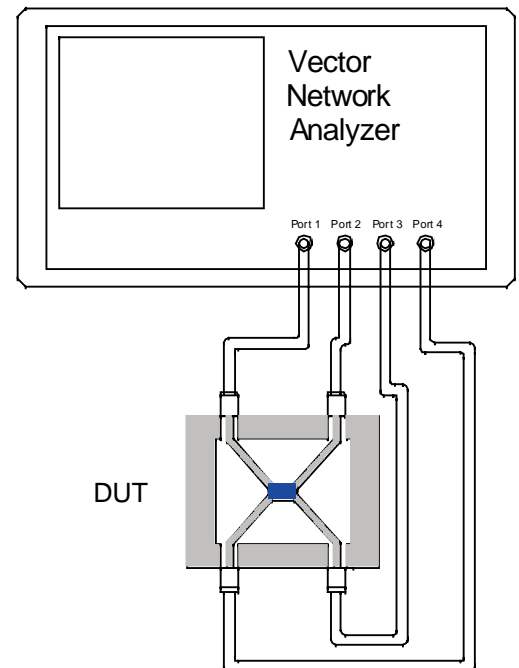
### Test Method

1. Calibrating your vector network analyzer.
2. Connect the VNA 4 Port to DUT respectively.
3. Measure the data of coupling through port 1 to port 4(S41).
4. Measure the data of transmission through port 1 to port 2(S21).
5. Measure the data of isolation through port 1 to port 3(S31).
6. Measure the data of return loss port 1, port 2, port 3 & port 4.
7. According to the above data to calculate insertion loss, directivity.

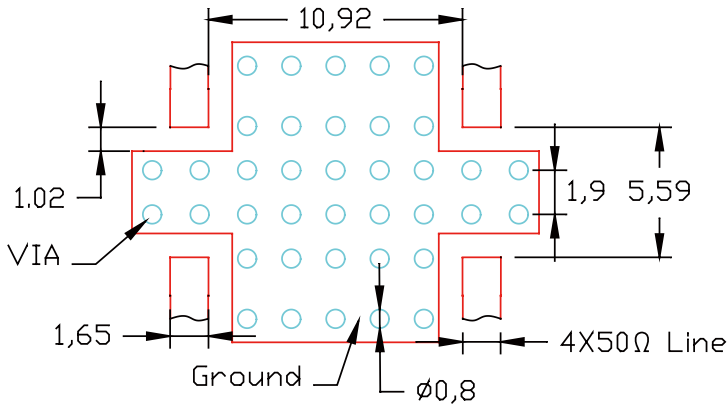
Note:

1. When calculating insertion loss at room temperature, coupling & transmission data both need remove demo board loss. Please see demo board loss data below the table :

Frequency Range(MHz)	Demo Board Loss (dB) @25
<b>470-860</b>	0.06~0.10
<b>800-1000</b>	0.10~0.15
<b>1200-1700</b>	0.15~0.20
<b>1700-2000</b>	0.20~0.25
<b>2000-2300</b>	0.20~0.25
<b>2300-2700</b>	0.25~0.30



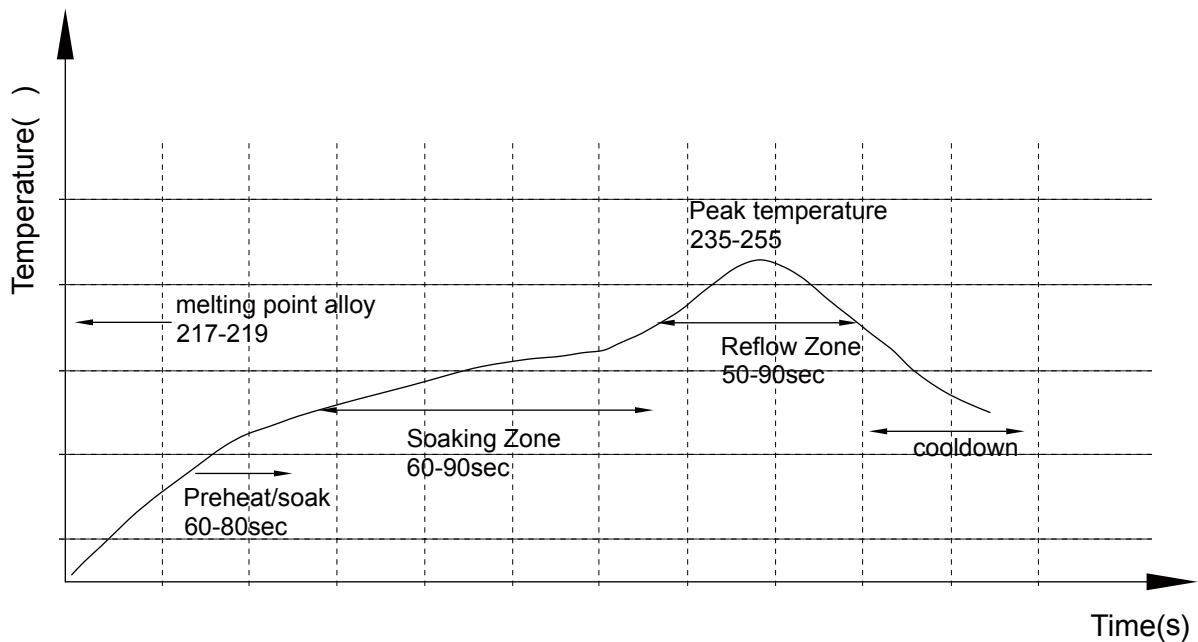
### Recommended PCB Layout



#### NOTE:

1. 50Ω line width is shown above designing from RO4350B dielectric thickness 0.762mm; copper 1 OZ
2. Bottom side of the PCB is continuous ground plane.
3. All dimensions shown in mm.

### Reflow Profile



### Yantel Corporation

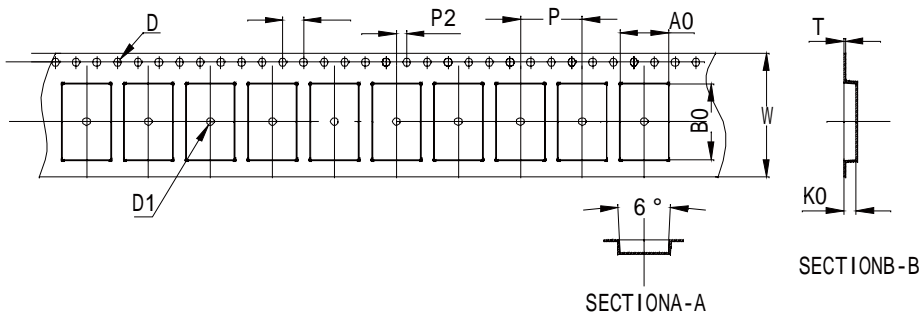
Add : 3rd Floor, Building 3, Southern District 2 Of Zhongguanhonghualing Industrial Park ,Xili, Nanshan, Shenzhen, China

Tel : 86-755-8355-1886 Fax : 86-755-8355-2533

For detailed performance specs & shopping online see Yantel web site : [www.yantel-corp.com](http://www.yantel-corp.com)

### Tape and Reel Drawing

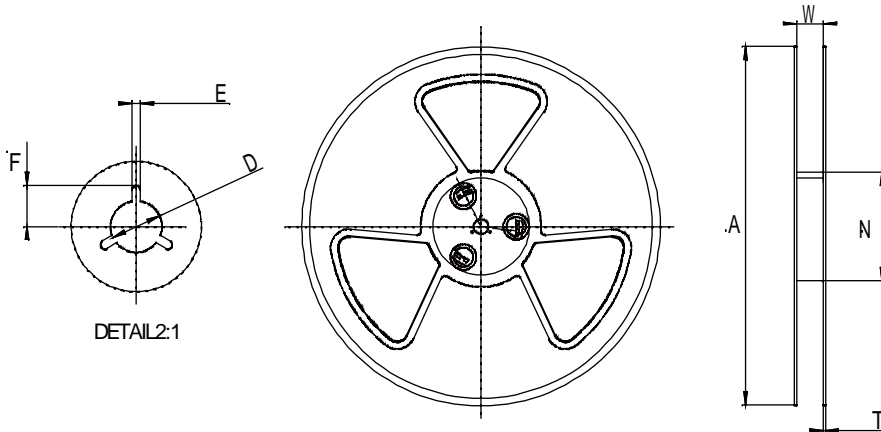
 Feeding Direction
   



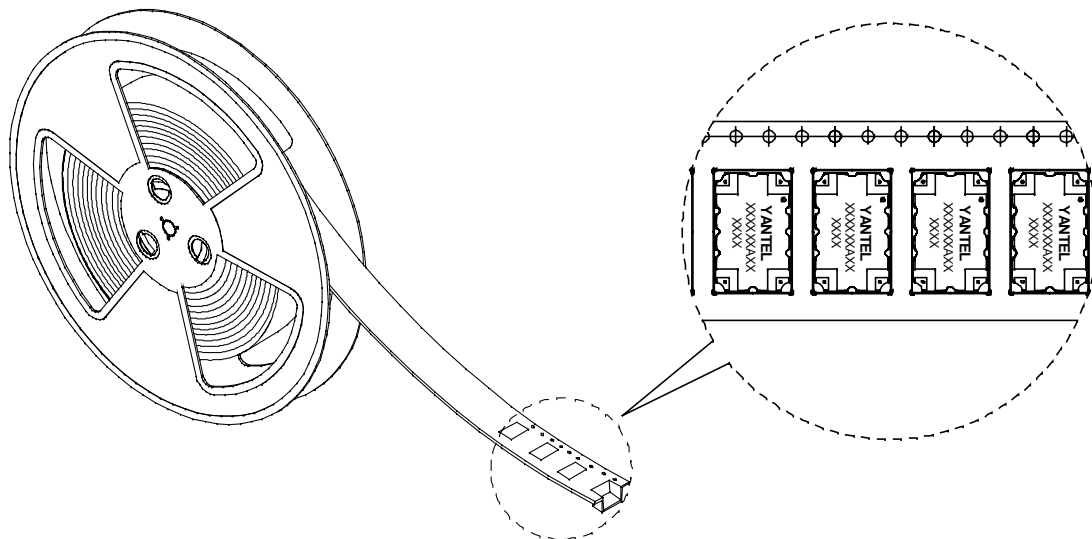
Notice:

- A. 10 Sprocket hole pitch cumulative tolerance is 0.2mm.
- B. Carrier camber shall be not more than 1mm per 100mm through a length of 250mm.
- C. All dimensions meet EIA-418-B requirements.
- D. A0 & B0 measured as indicated.
- E. K0 measured from a place on the inside bottom of the pocket to top surface of carrier.
- F. Material: PE 100
- G. Thickness:  $0.30 \pm 0.05$ mm
- H. 2000 units (maximum) / T&R

ITEM	W	A0	B0	K0	P	F	E	D	D1	P0	P2	T	13"	
DIM(mm)	24.00	9.30	14.70	2.40	12.00	11.50	1.75	1.50	1.50	4.00	2.00	0.30	M/R	P/R
TOLE	+0.30 -0.30	+0.10 -0.10	+0.10 -0.10	+0.10 -0.10	+0.10 -0.10	+0.10 -0.10	+0.10 -0.10	+0.10 -0.00	+0.10 -0.00	+0.10 -0.10	+0.10 -0.10	+0.05 -0.05	25.2M/R	2000pcs



Symbol	Dimensions(mm)
W	$24.5 \pm 0.4$
A	$330 \pm 0.5$
N	$100 \pm 0.3$
T	$1.8 \pm 0.2$
E	$2.1 \pm 0.3$
F	$10.75 \pm 0.3$
D	$13.5 + 0.5 / - 0.2$



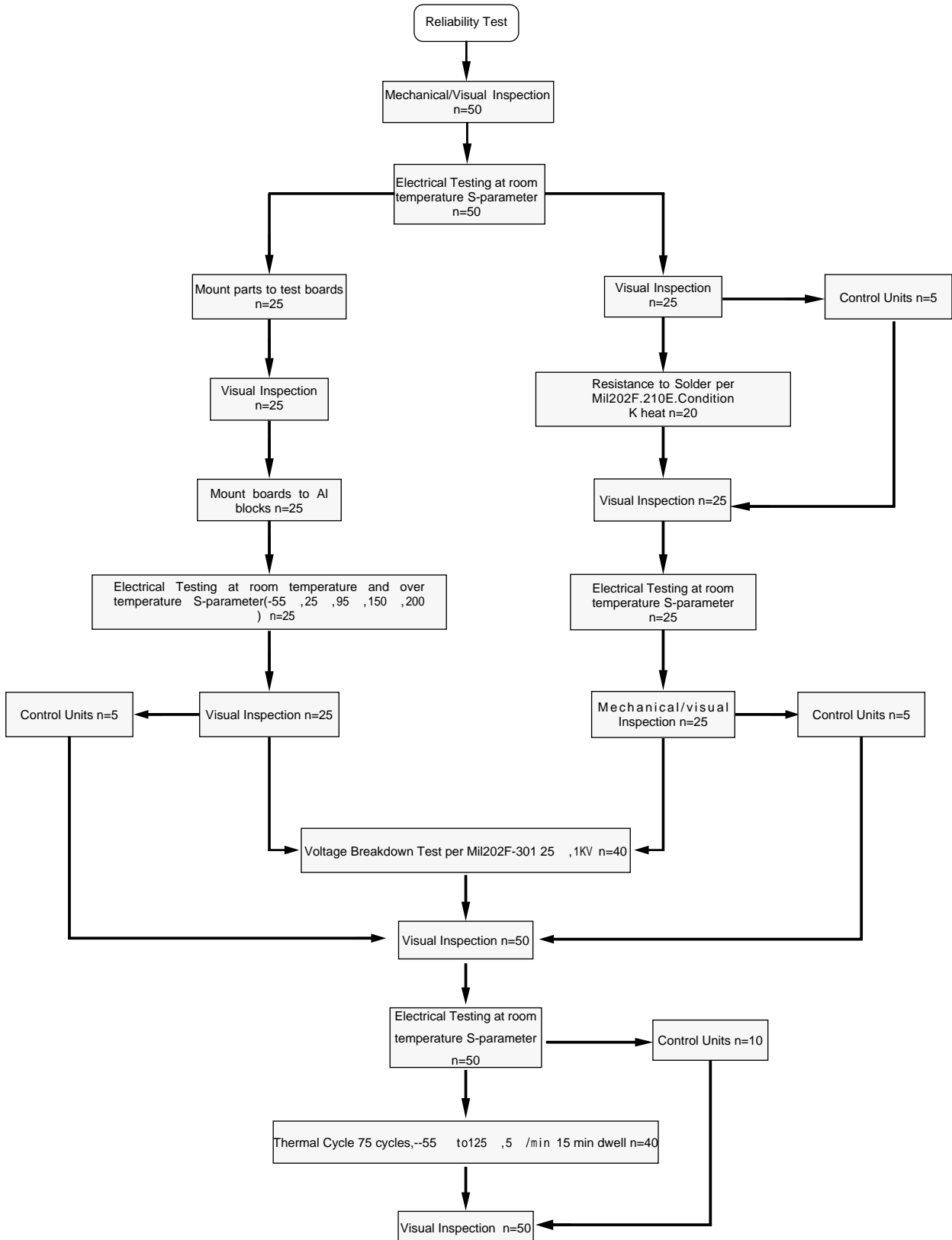
### Yantel Corporation

Add : 3rd Floor, Building 3, Southern District 2 Of Zhongguanhonghualing Industrial Park ,Xili, Nanshan, Shenzhen, China

Tel : 86-755-8355-1886 Fax : 86-755-8355-2533

 For detailed performance specs & shopping online see Yantel web site : [www.yantel-corp.com](http://www.yantel-corp.com)

### Reliability Test Flow





### Reliability Test Flow

