

VOLTAGE CONTROLLED OSCILLATOR

SURFACE MOUNT MODEL: DCO490517-5

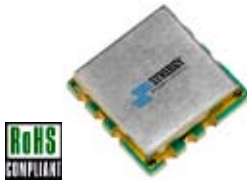
www.DataSheet4U.com

OPTIMIZED BANDWIDTH

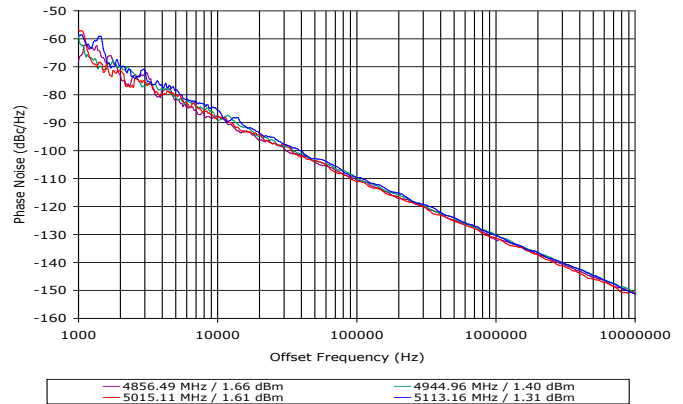
4900 - 5175 MHz

FEATURES:

- ▶ Exceptional Phase Noise Performance
- ▶ Fast Tuning
- ▶ Small Size, Surface Mount
- ▶ Lead Free REL-PRO® Technology



Phase Noise

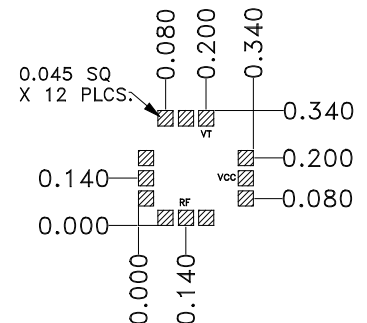
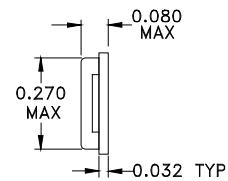
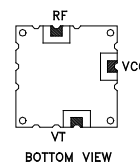
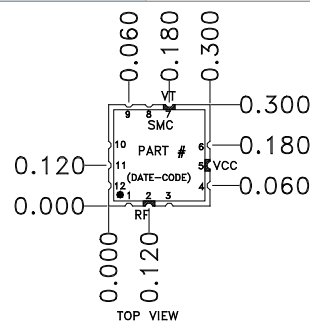


SPECIFICATIONS

Frequency	4900 - 5175 MHz	
Tuning Voltage	See table below.	
Bias Voltage	+5 VDC @ 22 mA (Max.)	
Output Power	-1 dBm (Min.)	
Tuning Sensitivity	60 - 125 MHz/V (Typ.)	
Output Impedance	50 Ohms (Nom.)	
Harmonic Suppression	25 dB (Typ.)	
Frequency Pulling	10 MHz (Typ. @ 1.75:1 VSWR)	
Frequency Pushing	10 MHz/V (Typ.)	
Tuning Port Capacitance	10 pF (Typ.)	
Typical Phase Noise	Offset	dBc/Hz
	10 kHz	-88
	100 kHz	-110
Operating Temperature Range	-40 to +85 °C	

Preliminary

Package # 343



DIMENSIONS ARE IN INCHES.

TOLERANCES ON THREE DECIMAL PLACES = ± 0.015

ALL UNLABELED PINS TO BE GROUND.

Guaranteed Tuning Specifications

Tuning Voltage (V)	Frequency (MHz)
0.5	4900 (Max.)
5	5175 (Min.)

Absolute Maximum Ratings

Storage Temp. Range	-55 to +125 °C
Bias Voltage	+5.5 V
Tuning Voltage	+20 V
DC Voltage Applied to RF Out	± 25 V

This product is manufactured under one or more of the following patents: Approved: 5,183,810; 5,122,621; 5,390,346; 5,416,446; 5,630,754; 5,805,431; 6,325,623; 6,856,573; 7,088,189; 7,180,381; 7,185,591; 7,282,670; 7,283,642; 7,292,113
 Pending: 65/483,075; 60/501,371 & 65/581,796; 60/527,957 & 65/536,675; 60/263,481; 60/564,173; 60/580,083; 60/601,822; 60/605,791; EV31268034;
 11/258,768; 60/622,485 & 65/710,119; 10/607,325 & 60/736,901; 60/732,787

Copyright © 2006 Synergy Microwave Corporation

301 Melan Boulevard • Paterson, New Jersey 07504 • Tel: (973) 881-8800 • Fax: (973) 881-8361
 www.DataSheet4U.com Email: sales@synergymw.com • World Wide Web: http://www.synergymw.com



VOLTAGE CONTROLLED OSCILLATOR

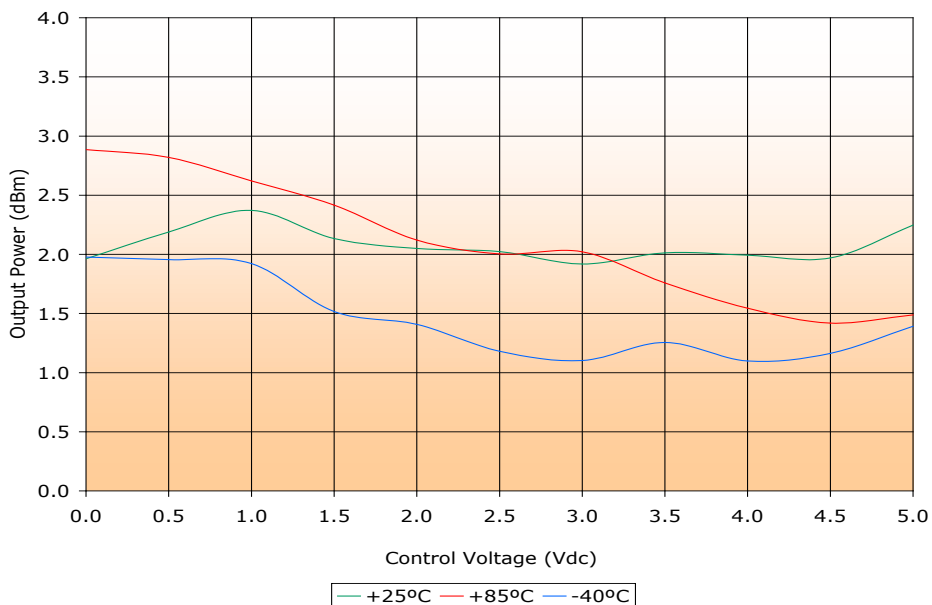
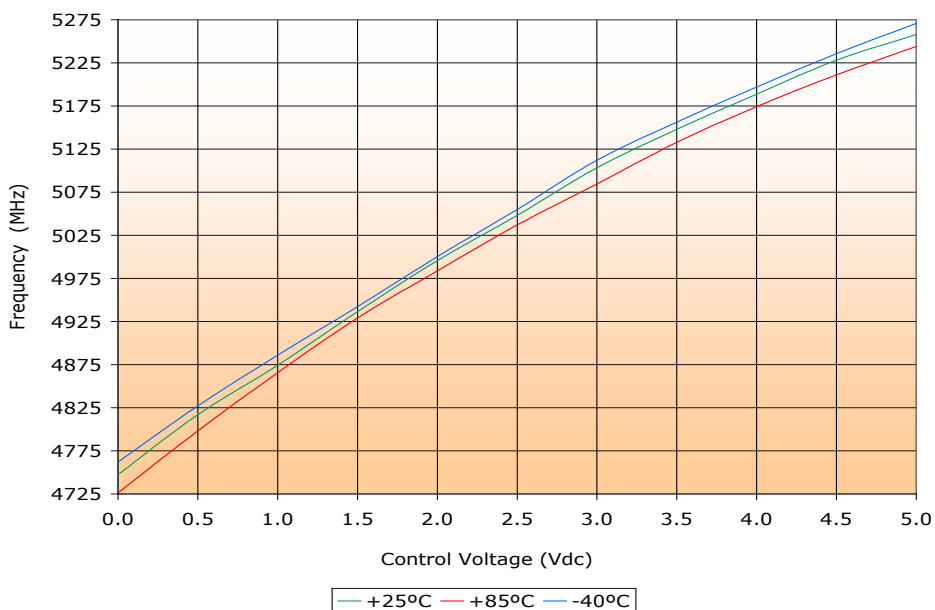
SURFACE MOUNT MODEL: DCO490517-5

www.DataSheet4U.com

OPTIMIZED BANDWIDTH

4900 - 5175 MHz

PERFORMANCE PLOTS



This product is manufactured under one or more of the following patents: Approved: 5,180,810; 5,122,621; 5,390,346; 5,416,446; 5,630,754; 5,805,431; 6,325,623; 6,856,573; 7,088,189; 7,180,381; 7,185,591; 7,262,670; 7,265,642; 7,292,113
 Pending: 6649,3075; 60501371 & 66561796; 60507957 & 66532675; 60263481; 60564173; 60580083; 60661822; 60605791; EV31268034; 11,258,768; 60622485 & 66710219; 1060732560736901; 60732787

Copyright © 2006 Synergy Microwave Corporation

301 Mullicaan Boulevard • Paterson, New Jersey 07504 • Tel: (973) 881-8800 • Fax: (973) 881-8361
 www.DataSheet4U.com Email: sales@synergymw.com • World Wide Web: http://www.synergymw.com



VOLTAGE CONTROLLED OSCILLATOR

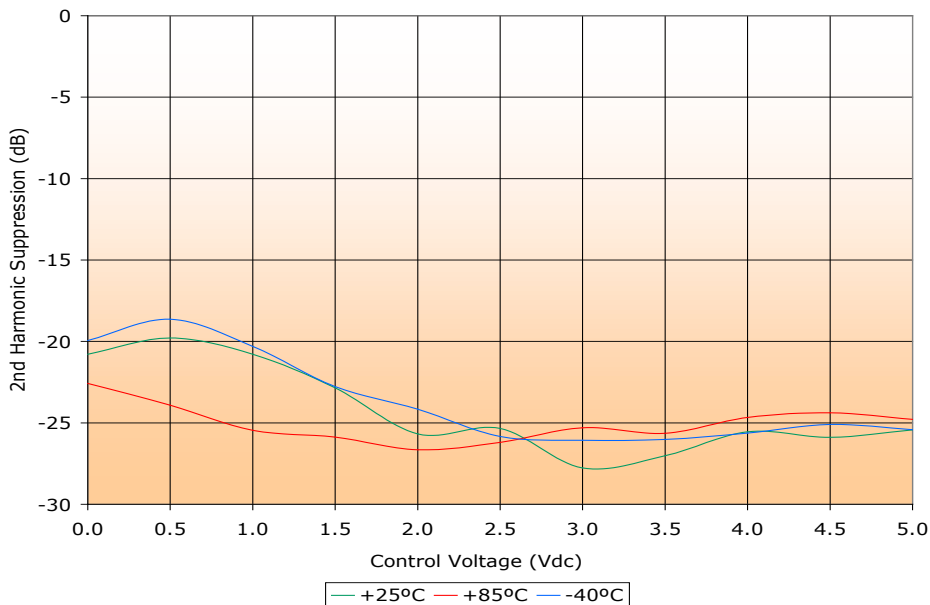
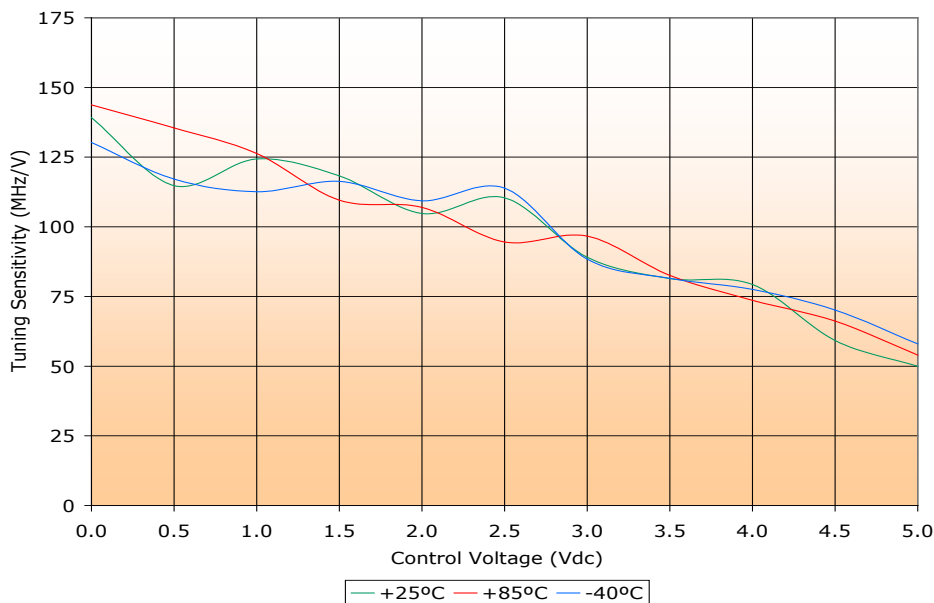
www.DataSheet4U.com

SURFACE MOUNT MODEL: DCO490517-5

OPTIMIZED BANDWIDTH

4900 - 5175 MHz

PERFORMANCE PLOTS



This product is manufactured under one or more of the following patents: Approved: 5,180,810; 5,122,621; 5,390,346; 5,416,446; 5,630,754; 5,805,431; 6,325,623; 6,856,573; 7,088,189; 7,180,381; 7,185,591; 7,262,670; 7,265,642; 7,292,113
 Pending: 6649,3075; 60501371 & 66561796; 60507957 & 66532675; 60263481; 60564173; 60580083; 60661822; 60605791; EV31268034; 11,258,768; 60622485 & 66710212; 1060732560736901; 60732737

Copyright © 2006 Synergy Microwave Corporation

301 McLean Boulevard • Paterson, New Jersey 07504 • Tel: (973) 881-8800 • Fax: (973) 881-8361
 www.DataSheet4U.com Email: sales@synergymw.com • World Wide Web: http://www.synergymw.com

