

## Features

- Smaller and lighter than DCLT Series
- Small-sized, large capacity
- Wide operating temperature range up to +85°C(-25~85°C)



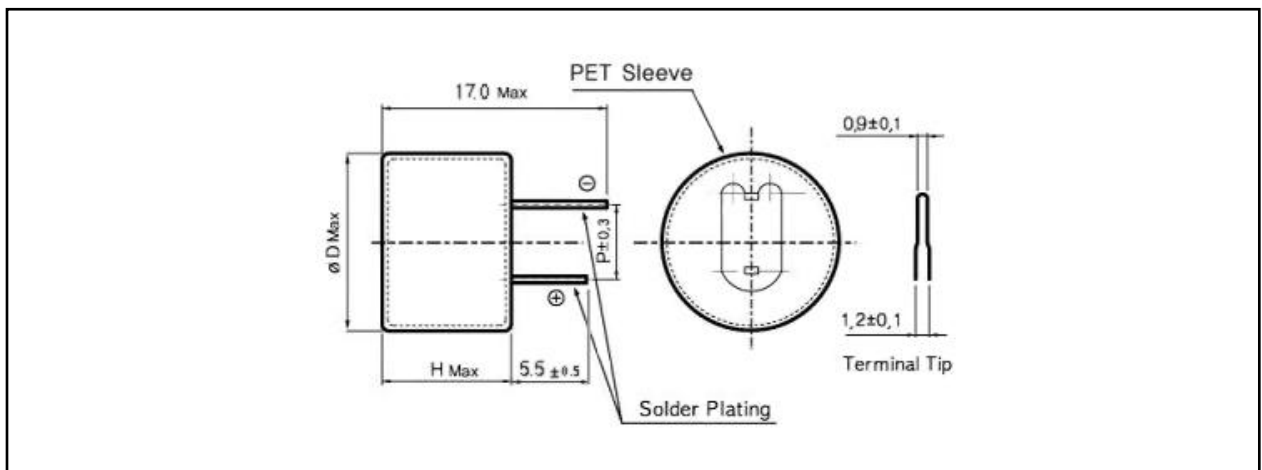
## Applications

- Memory back-up for Video, Audio, Cameras, CCTV, Printer, Camcorder, Telephones, Car stereo, E-meter, Toy, Computer, Notebook PC, Rice cooker, Home network etc

## Specifications

Items	Characteristics
Maximum operating voltage	5.5VDC
Operating temperature	-25 to +85°C
Nominal Cap. range	0.1 to 0.33F
Capacitance tolerance	-20% to +80%(at 25°C)
Characteristics at Low temperature(-25°C)	Capacitance change : $\leq 50\%$ of the initial value at +25°C Internal resistance : Less than five times of the initial value at +25°C
Endurance	After 1,000hours application of rated DC working voltage at +85°C, the capacitor shall meet the following limits. <ul style="list-style-type: none"> <li>• Capacitance change : <math>\pm 30\%</math> of the initial value</li> <li>• Internal resistance : Less than four times of the initial value</li> </ul>
Shelf life	After 1,000hours storage at +85°C without load, the capacitor shall meet the specified limit for "Endurance"

## Dimensions in mm(not to scale)



## Standard products

Part Number	Operating Voltage (V)	Capacitance (F)	ESR ( $\Omega$ , @1kHz)	$\Phi D \times H \times P$ (mm)
DCST 5R5 104	5.5	0.10	$\leq 120$	$\Phi 13.5 \times 9.5 \times 5.0$
DCST 5R5 224		0.22	$\leq 75$	$\Phi 13.5 \times 9.5 \times 5.0$
DCST 5R5 334		0.33	$\leq 75$	$\Phi 13.5 \times 9.5 \times 5.0$

**Note : It is not allowed to go through reflow (IR, Atmosphere heating methods etc.) process**