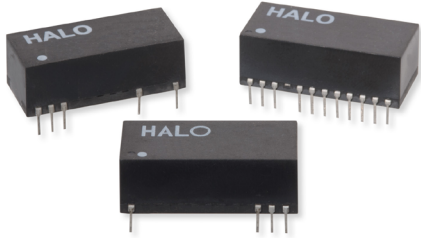


# 2W DC/DC Converters

DIL 2W DC/DC Converters for 10BASE2 and 10BASE5 Applications



## Product Features:

- 2 Watt DC/DC Converter
- 10BASE2 and 10BASE5
- 100% Compliance Testing
- With and Without Enable Feature

Part Number	Schematic/ Package	Input (max) Voltage/Current	Output (max) Voltage/Current	Isolation Vrms	Enable Function	Temp. Range
DCU0-0509C	C	5Vdc @ 600mA	9Vdc @ 250mA	500	-	0 to 70°C
DCU0-0509D	D	5Vdc @ 600mA	9Vdc @ 250mA	500	-	0 to 70°C
DCU0-0509E	E	5Vdc @ 600mA	9Vdc @ 250mA	500	Active Low	0 to 70°C
DCU0-0509E1	E1	5Vdc @ 600mA	9Vdc @ 250mA	500	Active High	0 to 70°C
DCU0-0509MD	MD	5Vdc @ 600mA	9Vdc @ 225mA	500	-	0 to 70°C
DCU0-0512C	C	5Vdc @ 600mA	12Vdc @ 185mA	500	-	0 to 70°C
DCU0-0512D	D	5Vdc @ 600mA	12Vdc @ 185mA	500	-	0 to 70°C
DCU0-0512MD	MD	5Vdc @ 600mA	12Vdc @ 180mA	500	-	0 to 70°C
DCU0-1209C	C	12Vdc @ 250mA	9Vdc @ 250mA	500	-	0 to 70°C
DCU0-1209D	D	12Vdc @ 250mA	9Vdc @ 250mA	500	-	0 to 70°C
DCU0-1209E	E	12Vdc @ 250mA	9Vdc @ 250mA	500	Active Low	0 to 70°C
DCU0-1209E1	E1	12Vddc @ 250mA	9Vdc @ 250mA	500	Active High	0 to 70°C
DCU2-0509E	E	5Vdc @ 600mA	9Vdc @ 250mA	2,000	Active Low	0 to 70°C
DCU2-1209E	E	12Vdc @ 250mA	9Vdc @ 250mA	2,000	Active Low	0 to 70°C

## Notes:

1. Please contact the factory or representative for individual datasheets or additional information

# HALO 2Watt DC/DC Converter

## Schematic C/D

## Schematic E

## Schematic E1

## Schematic MD

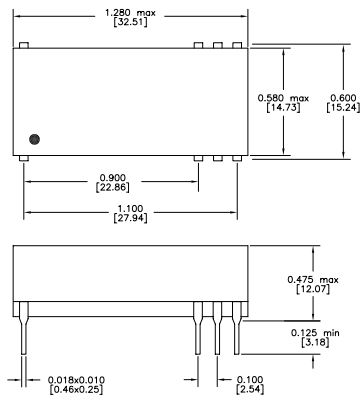
Pin Connections	Function
Input+	1, 24
Input-	12, 13
Output+	11, 14
Output-	10, 15

Pin Connections	Function
Input+	1, 2
Input-	23, 24
Enable	3
Output+	12
Output-	9
N/C	13

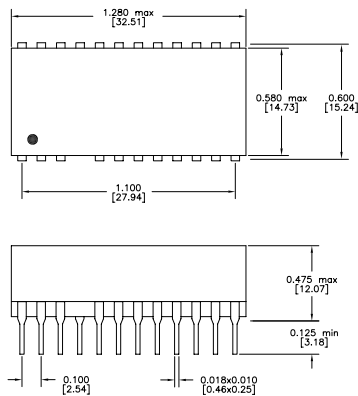
Pin Connections	Function
Input+	1, 24
Input-	12, 13
Output+	11, 14
Output-	10, 15
N/C	

Pin Connections	Function
Input+	1, 16
Input-	8, 9
Output+	7, 10
Output-	6, 11

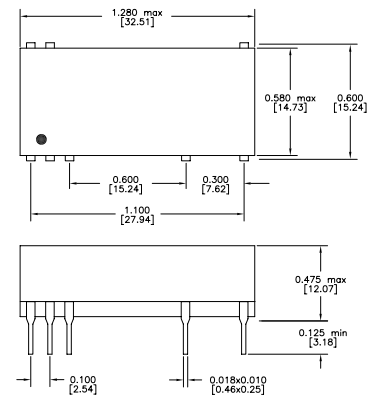
### Package C



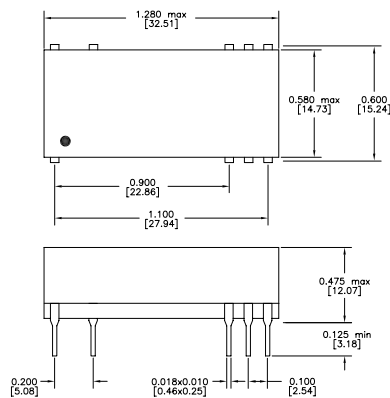
### Package D



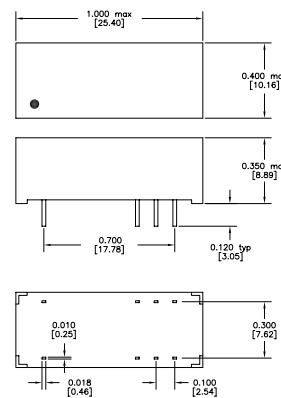
### Package E



### Package E1



### Package MD



Dimensions: inch [mm]  
Co-Planarity: 0.004 [0.10]



2880 Lakeside Drive #116  
Santa Clara, CA 95054  
(650) 903-3800  
[www.haloelectronics.com](http://www.haloelectronics.com)

HALO® Electronics is a leading supplier of high quality communication magnetics including signal transformers, filters, CMR chokes, PoE power transformers, DC/DC converters, and integrated Ethernet connectors. HALO's leading edge technology solutions are manufactured in ISO9001 and ISO14001 factories offering high quality products at a competitive price.