

---

# **19264 Graphic LCD Module Blue Backlight White Character User's Guide**

---

---

## Table of contents

---

---

<b>Chapter1. Overview .....</b>	<b>1</b>
<b>Chapter2.Contact Us.....</b>	<b>5</b>

## **19264 Graphic LCD Module Blue Backlight White Character**

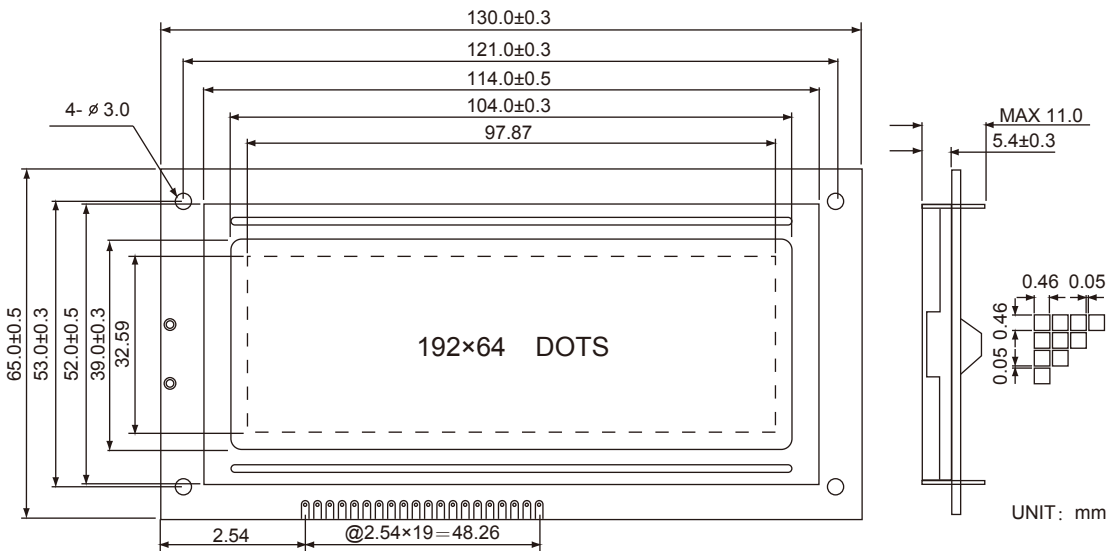
---

### **NOTES:**

**Product Version : Ver 1.0**

**Document Version : Ver 1.0**

## Chapter1. Overview



### ABSOLUTE MAXIMUM RATINGS

Item	Symbol	Min.	Max.	Unit
Supply Voltage(logic)	$V_{DD}$	0	7.0	V
Supply Voltage(LCD)	$V_o$	0	19.0	V
Input Voltage	$V_i$	0	$V_{DD}+0.3$	V
Operating Temp.	$T_{opr}$	-20	70	°C
Storage Temp.	$T_{stg}$	-30	80	°C

## Overview

### MECHANICAL DATA

Item	Nominal Dimensions	Unit
Module Size(W X H X T)	130.0×65.0×11.0	mm
Viewing Area(W X H)	104.0×39.0	mm
Dot Pitch(W X H)	0.51×0.51	mm
Dot Size(W X H)	0.46×0.46	mm

### ELECTRICAL CHARACTERISTICS(V<sub>DD</sub>=5V±0.25V)

Item	Symbol	Test Condition	Min.	Typ.	Max.	Unit
Input High Voltage	V <sub>IH</sub>	--	V <sub>DD</sub> -2.2	--	V <sub>DD</sub>	V
Input Low Voltage	V <sub>IL</sub>	--	-0.3	--	0.8	V
Output High Voltage	V <sub>OH</sub>	I <sub>OH</sub> =-0.2mA	2.4	--	V <sub>DD</sub>	V
Output Low Voltage	V <sub>OL</sub>	I <sub>OL</sub> =+1.6mA	0	--	0.4	V
Supply Current	I <sub>DD</sub>	V <sub>DD</sub> =5.0V	--	6.0	8.0	mA

### PIN CONNECTIONS

Pin	Symbol	Level	Function
1	V <sub>SS</sub>	--	GND(0V)
2	V <sub>DD</sub>	--	Supply Voltage for Logic(+5V)
3	V <sub>O</sub>	--	Supply Voltage for LCD
4	RS	H/L	H:Date L:Instruction Code
5	R/W	H/L	H:Read L:Write
6	E	H,H→L	Enable Signal
7	DB0	H/L	Date Bus Line
8	DB1	H/L	

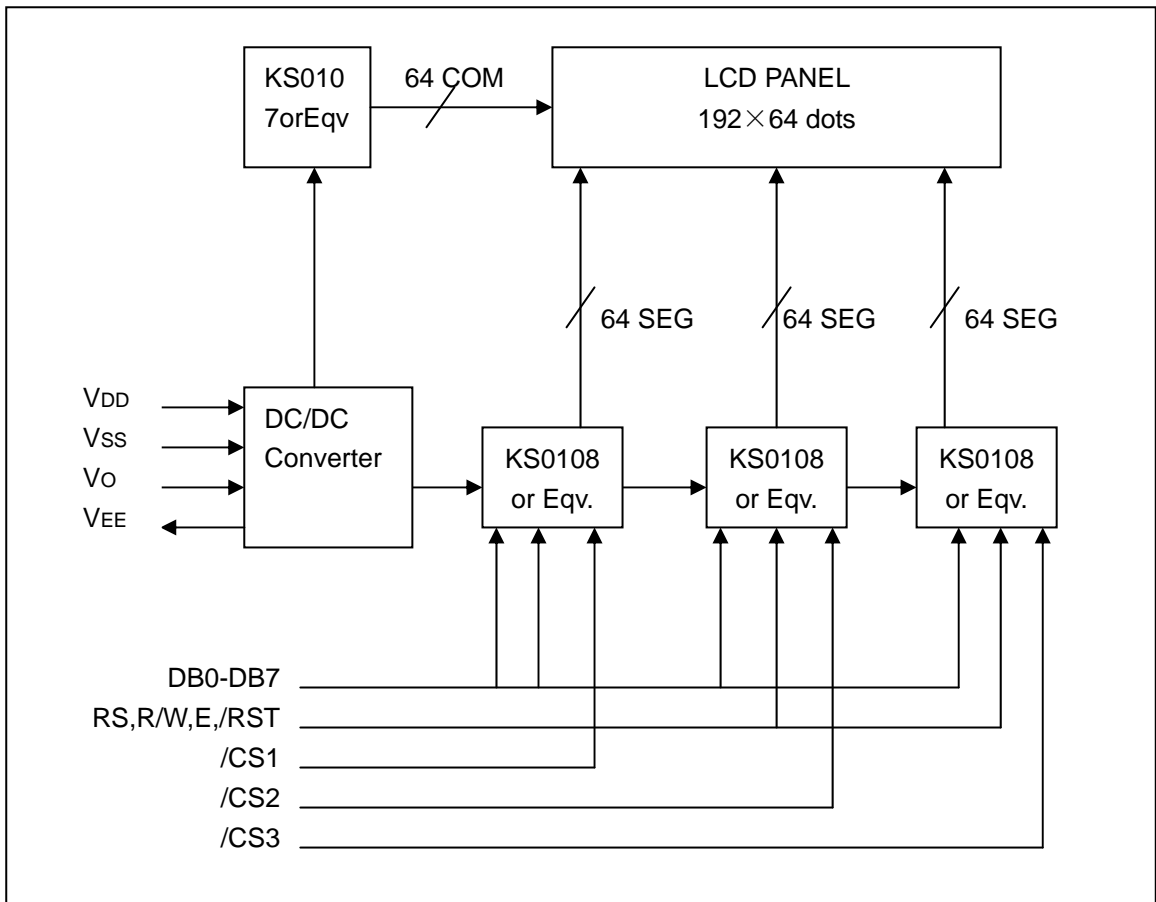
9	DB2	H/L	
10	DB3	H/L	
11	DB4	H/L	
12	DB5	H/L	
13	DB6	H/L	
14	DB7	H/L	
15	/CS1	L	Chip Selection for IC1
16	RESET	L	Reset Signal, Active Low
17	/CS2	L	Chip Selection for IC2
18	/CS3	L	Chip Selection for IC3
19	V <sub>EE</sub>	--	Negative Voltage Output
20	LEB+	--	LED B/L Power Supply

**LED BACKLIGHT SPECIFICATIONS (Ta=25°C)**

Item	Symbol	Typ.	Max.	Unit
Forward voltage	V <sub>f</sub>	4.1	4.3	V
Forward current	I <sub>f</sub>	200	--	mA
Emission wave length	λ <sub>p</sub>	568	--	nm

# Overview

## BLOCK DIAGRAM



---

---

## **Chapter2.Contact Us**

---

---

**Sure Electronics Co., Ltd.**

5F, Zone A,

Qinhui Technology Innovation Center

105-2 DaMing Rd (Zip Code : 210022)

Nanjing

PRC

Tel: +86-25-66606340 (English Service) GMT1am-10am

Fax: +86-25-66606346

Website: [www.sure-electronics.net](http://www.sure-electronics.net)  
[www.sureelectronics.net](http://www.sureelectronics.net)  
[www.sure-electronics.com](http://www.sure-electronics.com)