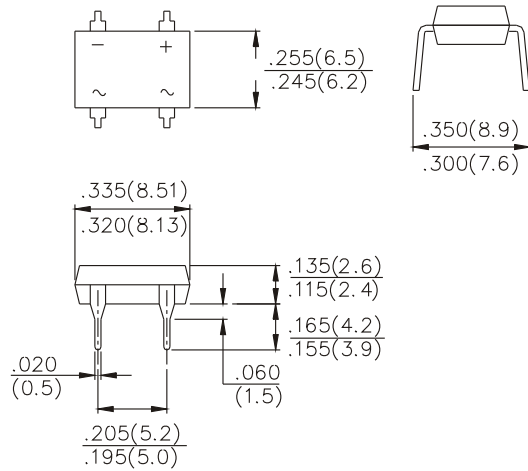
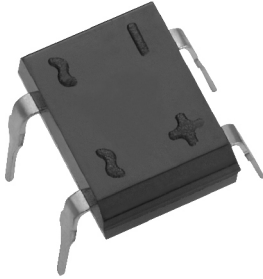


DF005 thru DF10

SINGLE-PHASE GLASS PASSIVATED BRIDGE RECTIFIERS

VOLTAGE - 50 TO 1000 VOLTS CURRENT - 1.0 AMPERES



FEATURES

- Glass passivated JUNCTION
- Surge overload rating to 50 amperes peak
- Ideal for printed circuit board applications
- Low Forward Voltage drop
- Reliable low cost construction utilizing molded Plastic technique
- Plastic package has Underwriters Laboratory Flammability Classification 94V-0
- High temperature soldering guaranteed : 260°C/10seconds at 5lbs. (2.3kg) tension

MECHANICAL DATA

Case : Molded plastic body over passivated junction
 Terminals : Plated lead, solderable per MIL-STD-202, Method 208
 Polarity : Polarity symbols marked on body
 Weight : 0.04 ounce, 1.0gram

MAXIMUM RATINGS AND ELECTRICAL CHARACTERISTICS

Ratings at 25°C ambient temp. unless otherwise specified
 Single phase, half sine wave, 60Hz, resistive or inductive load
 For capacitive load, derate current by 20%

	SYMBOL	DF005	DF01	DF02	DF04	DF06	DF08	DF10	UNITS
Maximum Repetitive Peak Reverse Voltage	V_{RRM}	50	100	200	400	600	800	1000	Volts
Maximum RMS Voltage	V_{RMS}	35	70	140	280	420	560	700	Volts
Maximum DC Blocking Voltage	V_{DC}	50	100	200	400	600	800	1000	Volts
Maximum Average Forward Rectified Current @ $T_A=40^\circ\text{C}$	$V_{(AV)}$	1.0							Amps
Peak Forward Surge Current, 8.3ms Single Half Sine-Wave Superimposed on Rated Load	I_{FSM}	50							Amps
Maximum Instantaneous Forward Voltage Drop per Bridge Element at 1.0A	V_F	1.1							Volts
Maximum DC Reverse @ $T_A=25^\circ\text{C}$ at rated DC Blocking Voltage @ $T_A=125^\circ\text{C}$	I_R	10 500							μA
Rating for fusing ($t < 8.3\text{ms}$)	$I^2 t$	10.4							A^2S
Typical Junction capacitance (Note 1)	C_J	25							pF
Typical Thermal resistance (Note 2)	$R_{\theta JC}$	74							$^\circ\text{C} / \text{W}$
Operating and Storage Temperature Range	T_J T_{STG}	-55 to +150							$^\circ\text{C}$

NOTES :

1. Measured at 1.0 MHz and applied reverse voltage of 4.0 volts
2. Thermal Resistance From Junction to Ambient mounted on P.C.B with 0.5 x 0.5" (13x13mm) copper pads

DF005 thru DF10

SINGLE-PHASE GLASS PASSIVATED BRIDGE RECTIFIERS

RATING AND CHARACTERISTICS CURVES DF005 THRU DF10

Fig. 1 - MAXIMUM FORWARD SURGE CURRENT

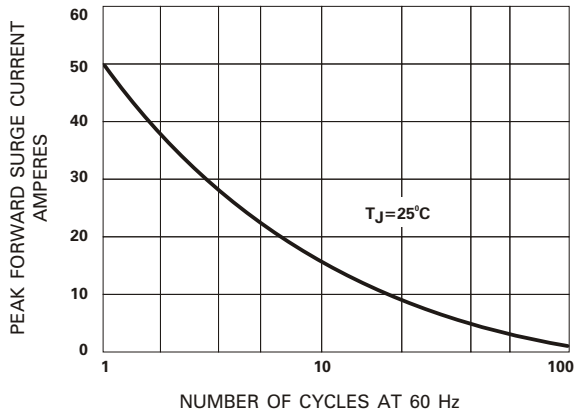


Fig. 2 - DERATING CURVE
OUTPUT RECTIFIED CURRENT

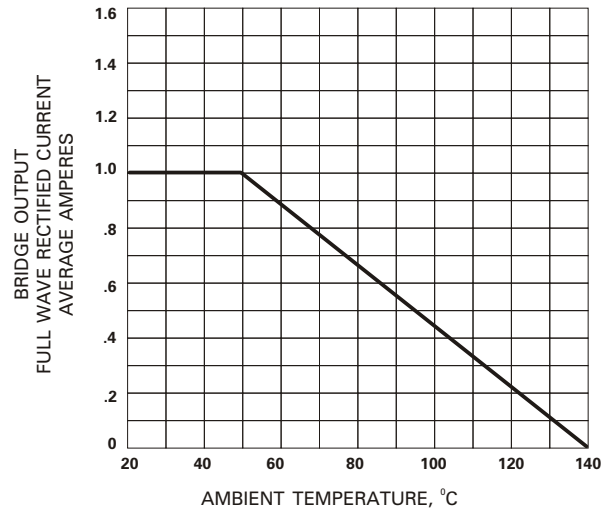


Fig. 3 - TYPICAL FORWARD CHARACTERISTICS

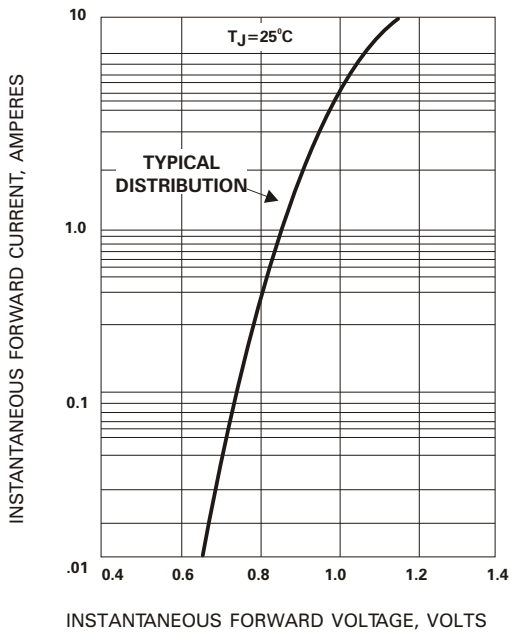


Fig. 4 - TYPICAL REVERSE CHARACTERISTICS

