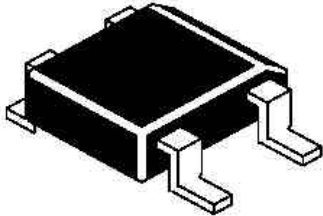


**SINGLE PHASE GLASS PASSIVATED SILICON SURFACE MOUNT BRIDGE RECTIFIER**

**DF005S - DF10S**

**DF-S  
Surface Mount Package**



**MAXIMUM RATINGS AND ELECTRICAL CHARACTERISTICS**

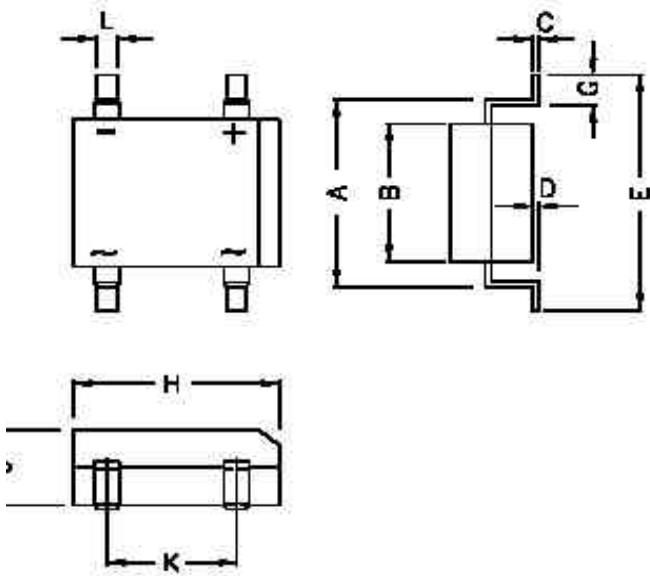
Rating at 25°C Ambient temperature unless specified otherwise. Single phase, half wave, 60Hz resistive or inductive load. For capacitive load, derate current by 20%

DESCRIPTION	SYMBOL	DF	DF	DF	DF	DF	DF	DF	UNIT
		005S	01S	02S	04S	06S	08S	10S	
Maximum Peak Repetitive Reverse Voltage	$V_{RRM}$	50	100	200	400	600	800	1000	V
Maximum RMS Voltage	$V_{RMS}$	35	70	140	280	420	560	700	V
Maximum DC Blocking Voltage	$V_{DC}$	50	100	200	400	600	800	1000	V
Maximum Average Forward Rectified Current at $T_a=40^\circ\text{C}$	** $I_{(AV)}$	1.0							A
Peak Forward Surge Current 8.3ms single half sine-wave superimposed on rated load	$I_{FSM}$	50							A
Maximum Forward Voltage at $I_F=1.0\text{A}$	$V_F$	1.1							V
Maximum DC Reverse Current at Rated DC Blocking Voltage $T_a=25^\circ\text{C}$ $T_a=125^\circ\text{C}$	$I_R$	5.0							$\mu\text{A}$
		500							$\mu\text{A}$
Typical Junction Capacitance	* $C_J$	25							pF
Typical Thermal Resistance Junction to Ambient	** $R_{th(j-a)}$	40							$^\circ\text{C/W}$
Typical Thermal Resistance Junction to Lead	** $R_{th(j-L)}$	15							$^\circ\text{C/W}$
Operating and Storage Junction Temperature Range	$T_j, T_{stg}$	- 55 to +150							$^\circ\text{C}$

\*Measured at 1MHz and applied reverse voltage of 4.0 V

\*\* Units mounted on PCB with 0.5 x 0.5" (13 x 13 mm) copper pad

DF005S\_10S Rev150905E

PACKAGE DF-S

DIM	MIN.	MAX.
A	7.40	7.90
B	6.20	6.50
C	0.22	0.30
D	0.076	0.33
E	—	10.40
G	1.02	1.53
H	8.13	8.51
J	2.40	2.60
K	5.00	5.20
L	1.00	1.20

ALL DIMENSIONS ARE mm

PACKING:— 1.0K / REEL

**Disclaimer**

The product information and the selection guides facilitate selection of the CDIL's Discrete Semiconductor Device(s) best suited for application in your product(s) as per your requirement. It is recommended that you completely review our Data Sheet(s) so as to confirm that the Device(s) meet functionality parameters for your application. The information furnished in the Data Sheet and on the CDIL Web Site/CD are believed to be accurate and reliable. CDIL however, does not assume responsibility for inaccuracies or incomplete information. Furthermore, CDIL does not assume liability whatsoever, arising out of the application or use of any CDIL product; neither does it convey any license under its patent rights nor rights of others. These products are not designed for use in life saving/support appliances or systems. CDIL customers selling these products (either as individual Discrete Semiconductor Devices or incorporated in their end products), in any life saving/support appliances or systems or applications do so at their own risk and CDIL will not be responsible for any damages resulting from such sale(s).

CDIL strives for continuous improvement and reserves the right to change the specifications of its products without prior notice.



CDIL is a registered Trademark of  
Continental Device India Limited

C-120 Naraina Industrial Area, New Delhi 110 028, India.

Telephone + 91-11-2579 6150, 5141 1112 Fax + 91-11-2579 5290, 5141 1119

email@cdil.com www.cdilsemi.com