

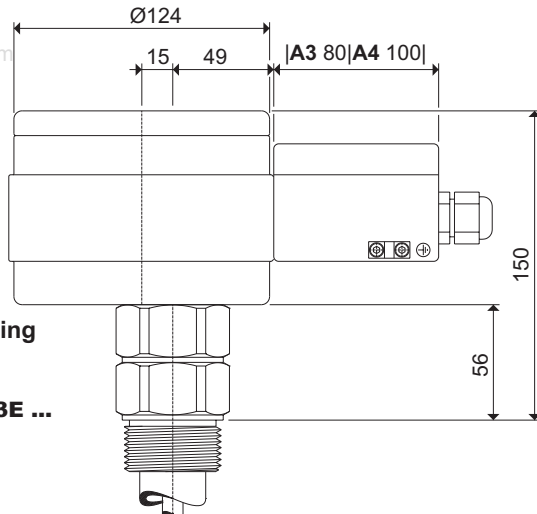
**Full, empty and demand indicator**  
with protecting tube for vertical mounting  
with KD for any mounting position  
(with bearing and seal ring at the end of the tube)

**Signal contact** 2 A / 250V AC potential-free  
**Type of protection** IP66 in accordance with DIN EN 60529  
**Maintenance** none

www.DataSheet4U.com

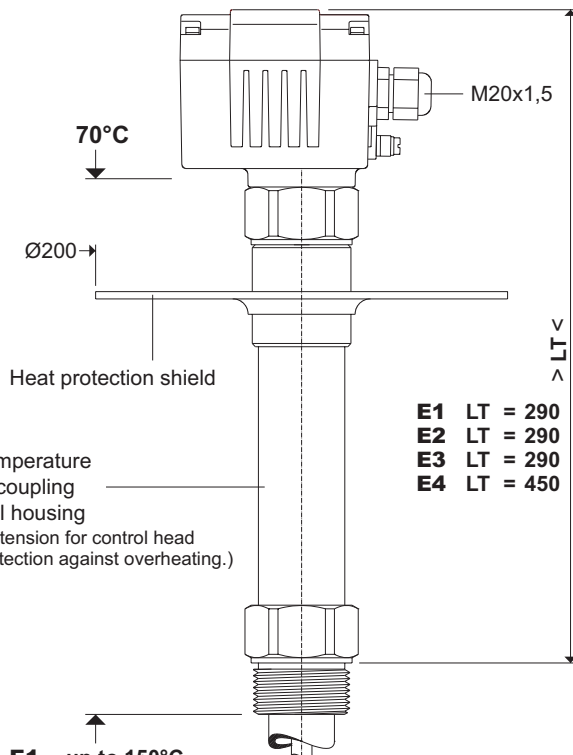
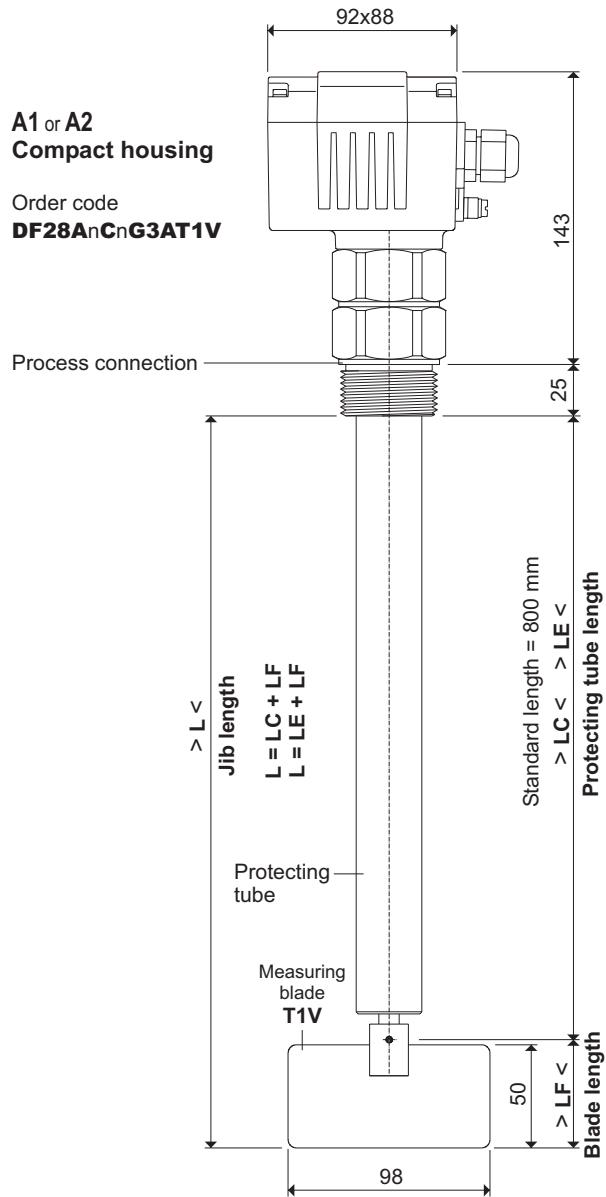
**A3 or A4**  
**Round housing**

Order code  
**DF28AnCnG3E ...**



**A1 or A2**  
**Compact housing**

Order code  
**DF28AnCnG3AT1V**



**E1** LT = 290  
**E2** LT = 290  
**E3** LT = 290  
**E4** LT = 450

**E1** up to 150°C  
**E2** up to 200°C  
**E3** up to 260°C  
**E4** up to 500°C

You will find further technical details  
under appliance information **DF-GI..**

# Rotary blade level indicators

Level limit switches for bulk goods

# DF28

4 housing versions to choice

### Choice of options

#### Certifications, certificates, approvals

- B0 Standard and ATEX II 3/3D T80°C IP66 **Dust**.....
- B1 ATEX Ⓜ II 1/2D T80°C IP66 **Dust** .....
- B2 ATEX Ⓜ II 1D T70°C IP66 **Dust D2)**.....
- B3 ATEX Ⓜ II 1/3D T80°C IP66 **Dust**.....
- B9 Further approvals ..... on request

#### Supply voltage

- C1 220...240V AC (50...60Hz).....
- C2 110...120V AC (50...60Hz).....
- C3 48V AC (50...60Hz).....
- C4 24V AC (50...60Hz).....
- C5 24V DC.....
- C9 Special voltages ..... on request

#### Self-monitoring

- D0 Without monitoring
- D1 Function monitoring .....
- D2 Voltage monitoring .....

#### Signal lamps<sup>1)</sup>

- H0 Standard = with function LEDs .....
- H1 Collar for function LEDs .....
- H2 Signal lamp, LED green .....
- H8 Large signal lamp, LED green.....

#### Bulk goods temperature

- E0 Standard = -25°C...+80°C<sup>2)</sup>....
- E1 -25°C...+150°C .....
- E2 -25°C...+200°C .....
- E3 -25°C...+260°C .....
- E4 -25°C...+500°C<sup>1)</sup> .....
- E7 Appliance heating 2,5 Watt<sup>1)</sup> ...
- E9 ...+1000°C<sup>1)</sup>..... on request

#### Container pressure

- P0 Standard = -0,5...5 bar<sup>3)</sup> .
- P1 -0.5 bar...10 bar .....
- P2 -0.1 bar...10 bar<sup>4)</sup> .....
- P5 -0.9 bar...1 bar<sup>4)</sup> .....
- P6 -0.9 bar...10 bar .....
- P7 -0.9 bar...10 bar<sup>4)</sup> .....

#### Process connection

- G2 Thread G1¼" DIN/ISO 228..... X X
- G3 Thread G1½" DIN/ISO 228..... X X
- G9 Other threads ..... on request
- F1 Flange F70 Ø110, 4xØ9/Ø90..... X X
- F2 Flange F100 150x150, 4xØ18/Ø170..... X X
- F5 Flange DN32 PN 10..... X X
- F6 Flange DN100 PN 6..... X X

#### Material of process connection

- A Aluminium.....
- E Stainless steel .....
- X Other materials ..... on request

#### Measuring blade

- M0 Without measuring blade .....
- S2 Socket blade 120x30 inclined.... X X
- M2 Socket blade 90x40 .....
- T0 Blade T220 68x220 .....
- T1 Blade T50 98x50 .....
- T2 Blade T100 98x100 .....
- T5 Blade T250 250x100 .....
- TG Blade GT 98x8 .....
- T8 Rubber blade<sup>1)</sup> 250x98 .....
- X1 Blade X50 98x50 .....
- X2 Blade X100 98x100 .....
- X3 Blade X200 180x100 .....
- K1 Hinged blade T230 200x30 .....
- M9 Other measuring blades.... on request

#### Blade reinforcement

- Without reinforcement.....
- V With reinforcement.....

#### Jib length and material, standard length LE or LC = 800 mm

- LE Protecting tube in stainless steel.....
- 0 0 0 0 enter required length in mm, last digit always 0
- min. 250 mm, max. 6000 mm

KD with bearing and seal ring at the end of the protecting tube .....

Housing selection

- A1 Compact aluminium housing .....
- A2 Stainless steel compact housing .....
- A3 Aluminium round housing .....
- A4 Stainless steel round housing .....

A4  
A3  
A2  
A1

### Supplies

- DF-SH Weather protection hood in PVC, RAL 7001 ....  
Certificated only for zone 22 and in non-hazardous areas
- DF-SM2 Hexagonal nut G1¼".....
- DF-SM3 Hexagonal nut G1½".....

#### Material of nuts

- A Aluminium
- E Stainless steel

- DF-KV1 Second cable union for standard version .....
- DF-KV2 Second cable union for ATEX version .....

- D2) delivery only together with D2 or D1
- 1) **not** available together with B1, B2, A3 and A4
- 2) max. bulk goods temperature at B2 = -20°C...+45°C
- 3) container pressure at B1, B2 and B3 = -0.08bar...+0.08bar (-80...+80mbar)
- 4) with pressure decoupling bell housing DF-P2, -P5 and -P7
- !!! usage for differences in pressure with B1, B3, A3 and A4 !!!

**CE** All devices are certified.

B0, D0, H0, E0, P0, R0 and M0 are **not needed** for order code

- Standard with**
- R0 NBR sealing ring, black .....
- suitable for the majority of bulk goods
- Options** only for special applications:
- R1 Sealing ring in Viton/Teflon/VA ..
- R2 Sealing ring in NBR, white FDA ...
- R5 Sealing ring in Teflon .....
- R9 Other sealing rings ...on request
- Rn add as suffix to selected connection e.g. G3ER2

- Measuring blade passes through tight hole of:**
- G2, G3 .....
- G3 .....
- F1, F2, F6, F7 .....
- F2, F6, F7
- F2, F6, F7
- F2, F6, F7
- F2, F6, F7
- F2, F6, F7
- G2, G3 .....

All larger dimensioned blades **cannot** be inserted through the tight holes and must be mounted from the inside.

DF28  ← Order code