

**OBSOLETE PRODUCT
POSSIBLE SUBSTITUTE PRODUCT
DG441, DG444**

CMOS Quad SPST Analog Switch

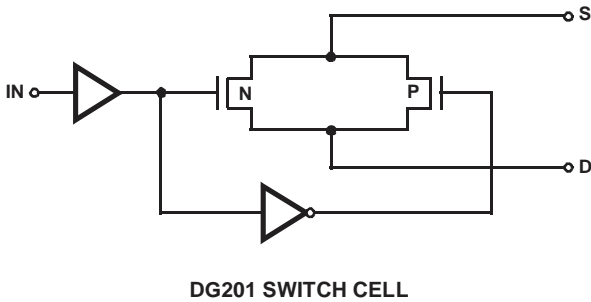
The DG201 solid state analog switch is designed using an improved, high voltage CMOS monolithic technology. It provides ease-of-use and performance advantages not previously available from solid state switches. Destructive latch-up of solid state analog gates have been eliminated by Intersil's CMOS technology.

The DG201 is completely specification and pinout compatible with the industry standard devices.

Part Number Information

PART NUMBER	TEMP. RANGE (°C)	PACKAGE	PKG. NO.
DG201CJ	0 to 70	16 Ld PDIP	E16.3

Functional Diagram



DG201 SWITCH CELL

TRUTH TABLE

LOGIC	DG201
0	ON
1	OFF

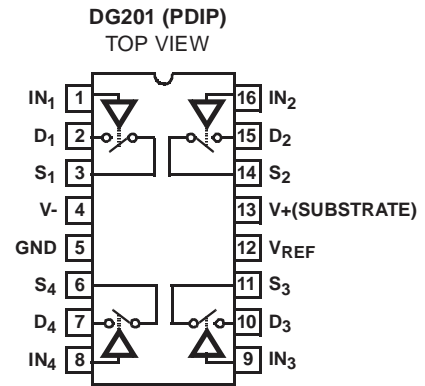
Features

- Switches Greater than 28V_{P-P} Signals with ±15V Supplies
- Break-Before-Make Switching
 - t_{OFF} 250ns
 - t_{ON} 700ns
- TTL, DTL, CMOS, PMOS Compatible
- Non-Latching with Supply Turn-Off
- Complete Monolithic Construction
- Industry Standard (DG201)

Applications

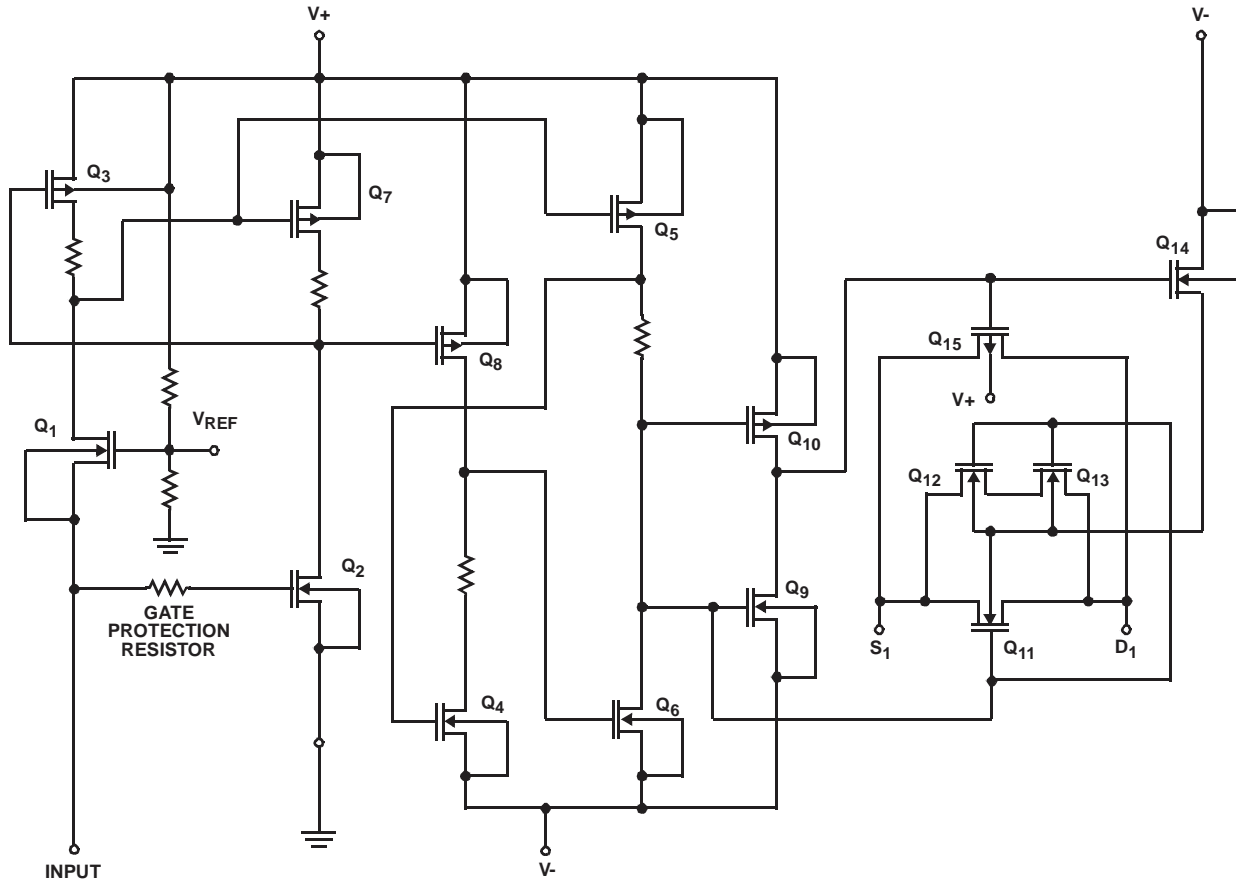
- Data Acquisition
- Sample and Hold Circuits
- Operational Amplifier Gain Switching Networks

Pinout



SWITCHES SHOWN FOR LOGIC "1" INPUT

Functional Diagram (1/4 DG201)



Pin Descriptions

PIN	SYMBOL	DESCRIPTION
1	IN ₁	Logic Control for Switch 1
2	D ₁	Drain (Output) Terminal for Switch 1
3	S ₁	Source (Input) Terminal for Switch 1
4	V-	Negative Power Supply Terminal
5	GND	Ground Terminal (Logic Common)
6	S ₄	Source (Input) Terminal for Switch 4
7	D ₄	Drain (Output) Terminal for Switch 4
8	IN ₄	Logic Control for Switch 4
9	IN ₃	Logic Control for Switch 3
10	D ₃	Drain (Output) Terminal for Switch 3
11	S ₃	Source (Input) Terminal for Switch 3
12	V _{REF}	Logic Reference Voltage
13	V+	Positive Power Supply Terminal (Substrate)
14	S ₂	Source (Input) Terminal for Switch 2
15	D ₂	Drain (Output) Terminal for Switch 2
16	IN ₂	Logic Control for Switch 2

Absolute Maximum Ratings

V+ to V-	36V
V+ to V _D	30V
V _D to V-	30V
V _D to V _S	28V
V _{REF} to V-	33V
V _{REF} to V _{IN}	30V
V _{REF} to GND	20V
V _{IN} to GND	20V
Current (Any Terminal)	30mA

Thermal Information

Thermal Resistance (Typical, Note 1)	θ_{JA} (°C/W)	θ_{JC} (°C/W)
PDIP Package	90	N/A
Maximum Junction Temperature		
Plastic Package	150°C	
Maximum Storage Temperature Range		
-65°C to 150°C		
Maximum Lead Temperature (Soldering 10s)		
300°C		

Operating Conditions

Temperature Range	
“C” Suffix	0°C to 70°C

CAUTION: Stresses above those listed in “Absolute Maximum Ratings” may cause permanent damage to the device. This is a stress only rating and operation of the device at these or any other conditions above those indicated in the operational sections of this specification is not implied.

NOTE:

1. θ_{JA} is measured with the component mounted on an evaluation PC board in free air.

Electrical Specifications $T_A = 25^\circ\text{C}$, $V_+ = +15\text{V}$, $V_- = -15\text{V}$

PARAMETER	TEST CONDITIONS	“C” SUFFIX			UNITS
		0°C	(NOTE 2) 25°C	70°C	
DYNAMIC CHARACTERISTICS					
Turn-ON Time (Note 3), t_{ON}	$R_L = 1\text{k}\Omega$, $V_{ANALOG} = -10\text{V to } +10\text{V}$ (Figure 1)	-	1.0	-	μs
Turn-OFF Time (Note 3), t_{OFF}	$R_L = 1\text{k}\Omega$, $V_{ANALOG} = -10\text{V to } +10\text{V}$ (Figure 1)	-	0.5	-	μs
Charge Injection, Q	Figure 2	-	20 (Typ)	-	mV
Off Isolation Rejection Ratio, OIRR	$f = 1\text{MHz}$, $R_L = 100\Omega$, $C_L \leq 5\text{pF}$, (Figure 3)	-	50 (Typ)	-	dB
Crosstalk (Channel-to-Channel), CCRR	One Channel Off	-	-50 (Typ)	-	dB
DIGITAL INPUT CHARACTERISTICS					
Input Logic Current, $I_{IN(ON)}$	$V_{IN} = 0.8\text{V}$ (Note 3)	± 1	± 1	± 10	μA
Input Logic Current, $I_{N(OFF)}$	$V_{IN} = 2.4\text{V}$ (Note 3)	± 1	± 1	± 10	μA
ANALOG SWITCH CHARACTERISTICS					
Analog Signal Range, V_{ANALOG}		-	± 15 (Typ)	-	V
Drain-Source ON Resistance, $r_{DS(ON)}$	$I_S = 10\text{mA}$, $V_{ANALOG} = \pm 10\text{V}$	100	100	125	Ω
Channel-to-Channel $r_{DS(ON)}$ Match, $r_{DS(ON)}$		-	30 (Typ)	-	Ω
Drain OFF Leakage Current, $I_{D(OFF)}$	$V_{ANALOG} = -14\text{V to } +14\text{V}$	-	± 5	100	nA
Source OFF Leakage Current, $I_{S(OFF)}$	$V_{ANALOG} = -14\text{V to } +14\text{V}$	-	± 5	100	nA
Channel ON Leakage Current, $I_{D(ON)} + I_{S(ON)}$	$V_D = V_S = -14\text{V to } +14\text{V}$	-	± 5	200	nA
POWER SUPPLY CHARACTERISTICS					
Supply Current, I+ Positive	$V_{IN} = 0\text{V}$ or $V_{IN} = 5\text{V}$	2000	1000	2000	μA
Supply Current, I- Negative		2000	1000	2000	μA

NOTES:

2. Typical values are for design aid only, not guaranteed and not subject to production testing.
3. All channels are turned off by high “1” logic inputs and all channels are turned on by low “0” inputs; however 0.8V to 2.4V describes the minimum range for switching properly. Peak input current required for transition is typically -120 μA .

Test Circuits

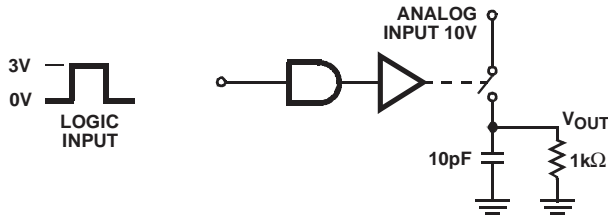


FIGURE 1. t_{ON} AND t_{OFF} TEST CIRCUIT

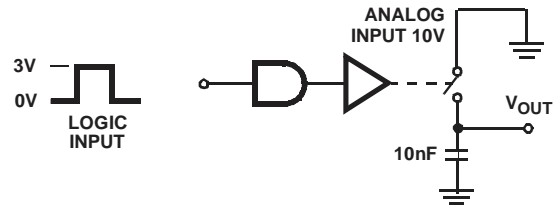


FIGURE 2. CHARGE INJECTION TEST CIRCUIT

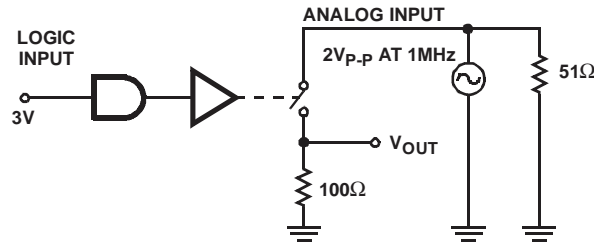


FIGURE 3. OFF ISOLATION TEST CIRCUIT

Typical Applications

Using the V_{REF} Terminal

The DG201 has an internal voltage divider setting the TTL threshold on the input control lines for $V+$ equal to +15V. The schematic shown in Figure 4 with nominal resistor values, gives approximately 2.4V on the V_{REF} pin. As the TTL input signal goes from +0.8V to +2.4V, Q_1 and Q_2 switch states to turn the switch ON and OFF. If the power supply voltage is less than +15V, then a resistor (R_{EXT}) must be added between $V+$ and the V_{REF} pin, to restore +2.4V at V_{REF} . The table shows the value of this resistor for various supply voltages, to maintain TTL compatibility. If CMOS logic levels with a +5V supply are being used, the threshold shifts are less critical, but a separate column of suitable values is given in the table. For logic swings of -5V to + 5V, no resistor is needed.

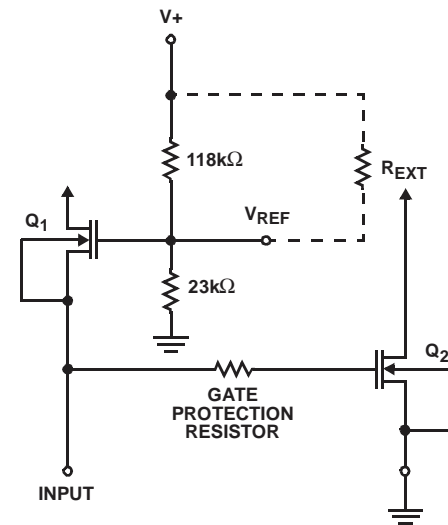


FIGURE 4.

In general, the “low” logic level should be <0.8V to prevent Q_1 and Q_2 from both being ON together (this will cause incorrect switch function).

TABLE 1.

$V+$ SUPPLY (V)	R_{EXT} FOR TTL LEVELS (kΩ)	R_{EXT} FOR CMOS LEVELS (kΩ)
+15	-	-
+12	420	-
+10	190	-
+9	136	136
+8	98	98
+7	70	70

Typical Performance Curves

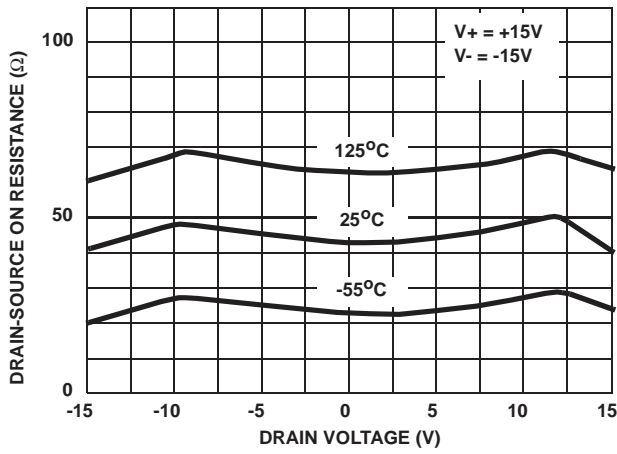


FIGURE 5. $r_{DS(ON)}$ vs V_D AND TEMPERATURE

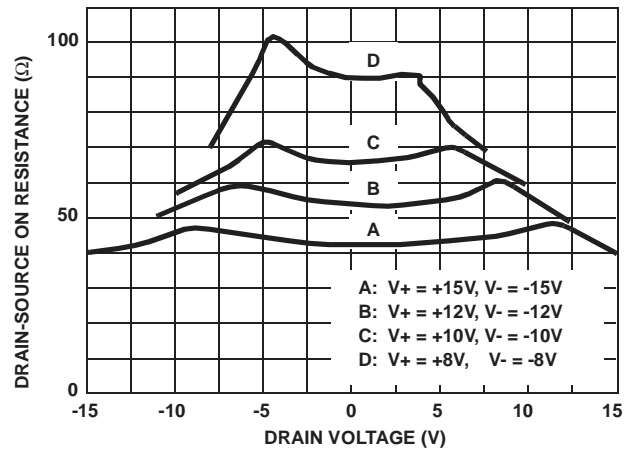


FIGURE 6. $r_{DS(ON)}$ vs V_D AND POWER SUPPLY VOLTAGE

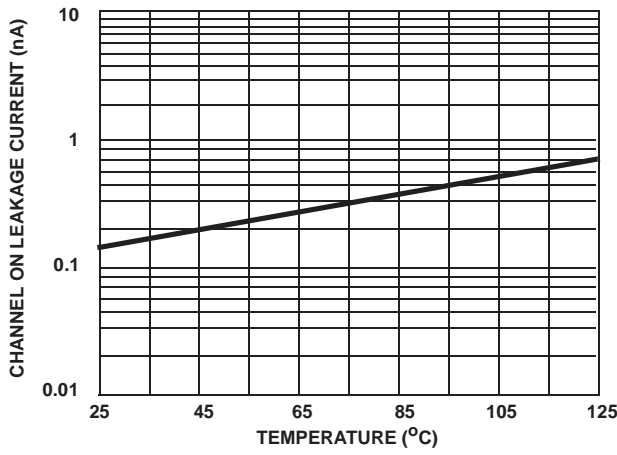


FIGURE 7. $I_{D(ON)}$ vs TEMPERATURE

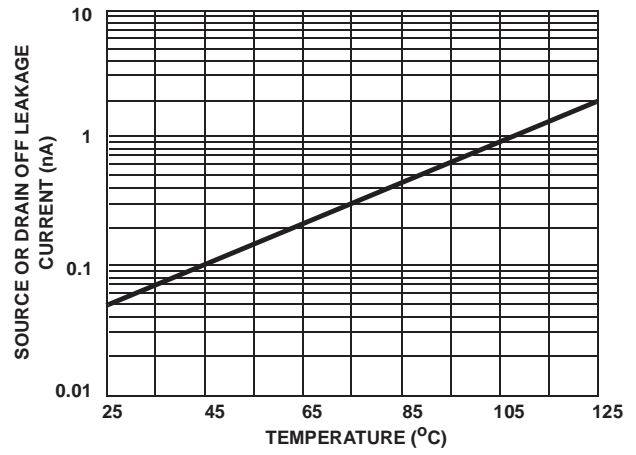


FIGURE 8. $I_{S(OFF)}$ OR $I_{D(OFF)}$ vs TEMPERATURE

Die Characteristics

DIE DIMENSIONS:

94 mils x 101 mils x 14 mils

METALLIZATION:

Type: Al
Thickness: 10kÅ

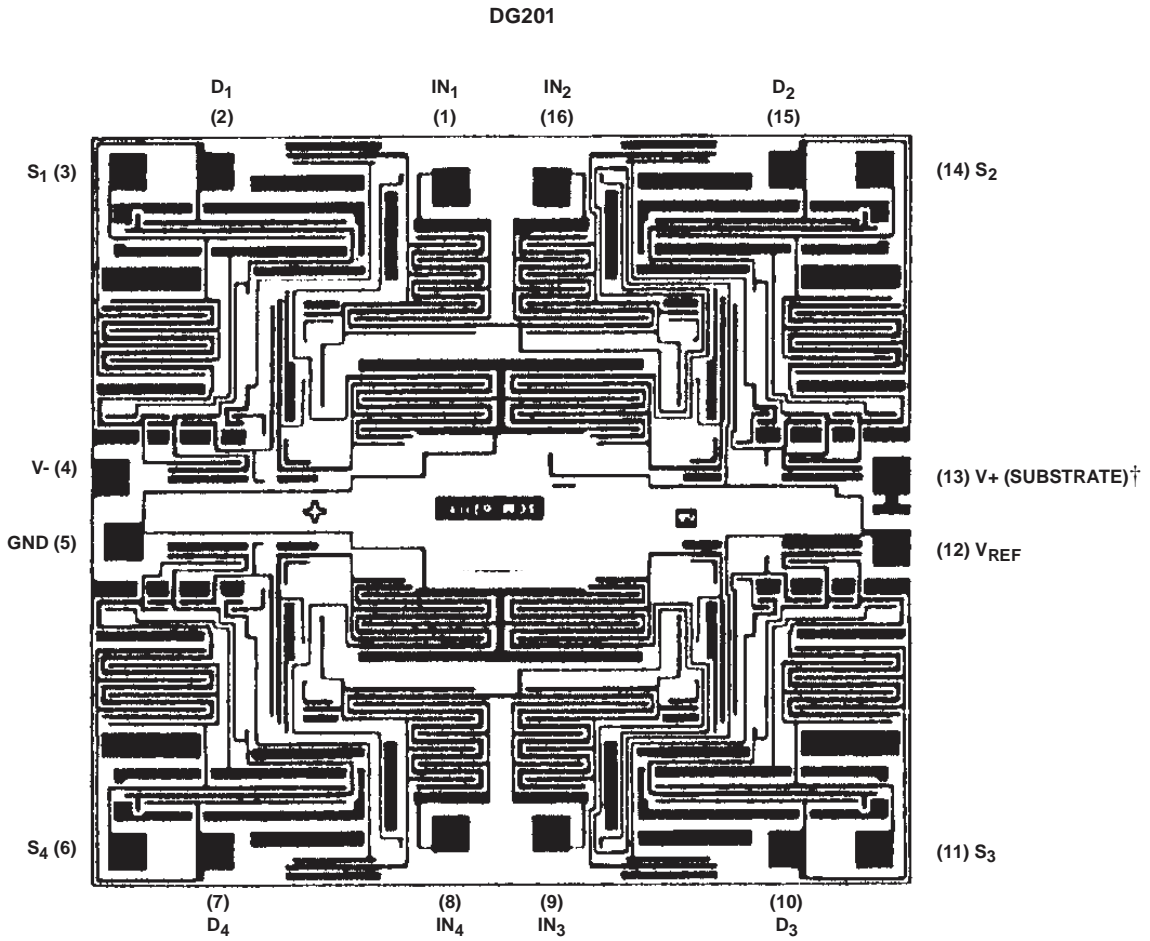
PASSIVATION:

Type: SiO₂/Si₃N₄
SiO₂ Thickness: 7kÅ
Si₃N₄ Thickness: 8kÅ

WORST CASE CURRENT DENSITY:

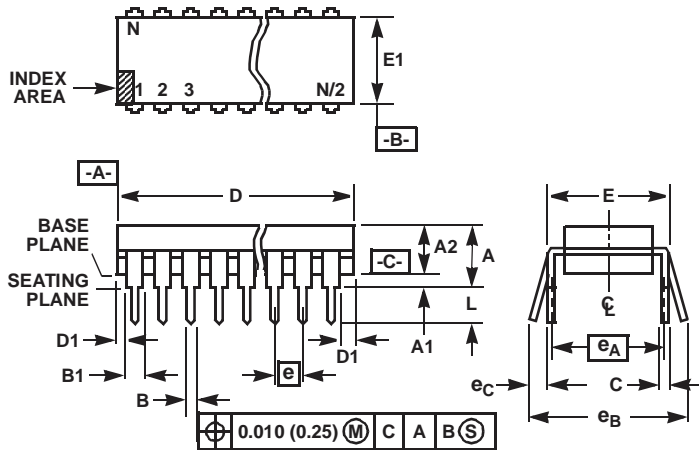
1 x 10⁵ A/cm²

Metallization Mask Layout



† BACKSIDE OF CHIP IS V+

Dual-In-Line Plastic Packages (PDIP)



NOTES:

- Controlling Dimensions: INCH. In case of conflict between English and Metric dimensions, the inch dimensions control.
- Dimensioning and tolerancing per ANSI Y14.5M-1982.
- Symbols are defined in the "MO Series Symbol List" in Section 2.2 of Publication No. 95.
- Dimensions A, A1 and L are measured with the package seated in JEDEC seating plane gauge GS-3.
- D, D1, and E1 dimensions do not include mold flash or protrusions. Mold flash or protrusions shall not exceed 0.010 inch (0.25mm).
- E and e_A are measured with the leads constrained to be perpendicular to datum $-C-$.
- e_B and e_C are measured at the lead tips with the leads unconstrained. e_C must be zero or greater.
- B1 maximum dimensions do not include dambar protrusions. Dambar protrusions shall not exceed 0.010 inch (0.25mm).
- N is the maximum number of terminal positions.
- Corner leads (1, N, N/2 and N/2 + 1) for E8.3, E16.3, E18.3, E28.3, E42.6 will have a B1 dimension of 0.030 - 0.045 inch (0.76 - 1.14mm).

E16.3 (JEDEC MS-001-BB ISSUE D)
16 LEAD DUAL-IN-LINE PLASTIC PACKAGE

SYMBOL	INCHES		MILLIMETERS		NOTES
	MIN	MAX	MIN	MAX	
A	-	0.210	-	5.33	4
A1	0.015	-	0.39	-	4
A2	0.115	0.195	2.93	4.95	-
B	0.014	0.022	0.356	0.558	-
B1	0.045	0.070	1.15	1.77	8, 10
C	0.008	0.014	0.204	0.355	-
D	0.735	0.775	18.66	19.68	5
D1	0.005	-	0.13	-	5
E	0.300	0.325	7.62	8.25	6
E1	0.240	0.280	6.10	7.11	5
e	0.100 BSC		2.54 BSC		-
e_A	0.300 BSC		7.62 BSC		6
e_B	-	0.430	-	10.92	7
L	0.115	0.150	2.93	3.81	4
N	16		16		9

Rev. 0 12/93

All Intersil products are manufactured, assembled and tested utilizing ISO9000 quality systems.

Intersil Corporation's quality certifications can be viewed at website www.intersil.com/design/quality/iso.asp

Intersil products are sold by description only. Intersil Corporation reserves the right to make changes in circuit design and/or specifications at any time without notice. Accordingly, the reader is cautioned to verify that data sheets are current before placing orders. Information furnished by Intersil is believed to be accurate and reliable. However, no responsibility is assumed by Intersil or its subsidiaries for its use; nor for any infringements of patents or other rights of third parties which may result from its use. No license is granted by implication or otherwise under any patent or patent rights of Intersil or its subsidiaries.

For information regarding Intersil Corporation and its products, see web site www.intersil.com

Sales Office Headquarters

NORTH AMERICA
Intersil Corporation
2401 Palm Bay Rd.
Palm Bay, FL 32905
TEL: (321) 724-7000
FAX: (321) 724-7240

EUROPE
Intersil SA
Mercure Center
100, Rue de la Fusee
1130 Brussels, Belgium
TEL: (32) 2.724.2111
FAX: (32) 2.724.22.05

ASIA
Intersil Ltd.
8F-2, 96, Sec. 1, Chien-kuo North,
Taipei, Taiwan 104
Republic of China
TEL: 886-2-2515-8508
FAX: 886-2-2515-8369