

## Powered-off Isolation, 0.86 Ω, 1.65 V to 5.5 V, SPDT Analog Switch (2:1 Multiplexer)

### DESCRIPTION

The DG4157E is a high performance single-pole, double-throw (SPDT) analog switch designed for 1.65 V to 5.5 V operation with a single power rail.

Fabricated with high density CMOS technology, the device achieves low on resistance of 0.86 Ω at a 4.5 V power supply, low power consumption, and fast switching speeds. The DG4157E can handle both analog and digital signals and permits signals with amplitudes of up to V+ to be transmitted in either direction. Its control logic inputs can go over V+ up to 5.5 V. The control logic input high threshold is guaranteed as low as 1.8 V over the power supply range up to 5.5 V. It features break before make switching performance. Its -3 dB bandwidth is typically 152 MHz.

A powered-off protection circuit is built into the switch to prevent an abnormal current flow from COM pin to V+ during the power-down condition. Each output pin can withstand greater than 7 kV (human body model).

Operation temperature is specified from -40 °C to +85 °C. The DG4157E is available in the ultra compact μDFN-6L and SC-70-6 packages.

### FEATURES

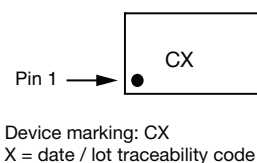
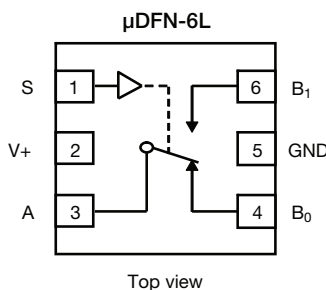
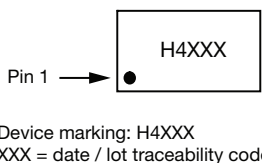
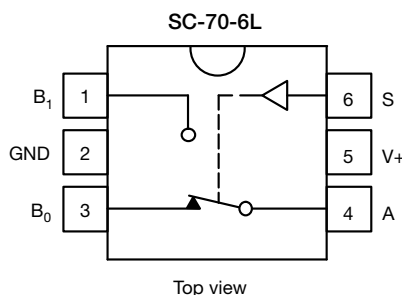
- Low switch on-resistance (0.86 Ω)
- 1.65 V to 5.5 V single supply operation
- Isolation in powered-off mode
- Guaranteed 1.8 V logic high
- Control logic inputs can go over V+
- Low charge injection (5 pC)
- Low total harmonic distortion
- Break before make switching
- Latch-up performance exceeds 300 mA per JESD 78
- ESD tested
  - 7000 V human body model (JS-001)
  - 1000 V charge device model (JS-002)
- Ultra compact μDFN-6L 1 mm x 1 mm x 0.35 mm package
- Material categorization: for definitions of compliance please see [www.vishay.com/doc?99912](http://www.vishay.com/doc?99912)



### APPLICATIONS

- Smartphones and tablets
- Consumer and computing
- Portable instrumentation
- Medical equipment

### FUNCTIONAL BLOCK DIAGRAM AND PIN CONFIGURATION



TRUTH TABLE	
LOGIC INPUT (S)	FUNCTION
0	B <sub>0</sub> connected to A
1	B <sub>1</sub> connected to A

ORDERING INFORMATION		
TEMP. RANGE	PACKAGE	PART NUMBER
-40 °C to +85 °C	SC-70-6L	DG4157EDL-T1-GE3
	μDFN-6L	DG4157EDN-T1-GE4



ABSOLUTE MAXIMUM RATINGS			
PARAMETER		LIMIT	UNIT
V+, A, B <sub>0</sub> , B <sub>1</sub> , S reference to GND		-0.3 to 6	V
Continuous current (any terminal)		± 200	mA
Peak current (pulsed at 1 ms, 10 % duty cycle)		± 400	
Thermal resistance <sup>a</sup>		407	°C/W
ESD / HBM	JS-001	7000	V
ESD / CDM	JS-002	1000	
Latch up	JESD78	300	mA
Operating temperature		-40 to +85	°C
Max. operating junction temperature		150	
Operating junction temperature		125	
Storage temperature		-65 to +150	

**Note**

a. Measured on an 1" x 1" inch FR4 board, using 0.39" by 1", 2 oz. copper trace without air flow

Stresses beyond those listed under "Absolute Maximum Ratings" may cause permanent damage to the device. These are stress ratings only, and functional operation of the device at these or any other conditions beyond those indicated in the operational sections of the specifications is not implied. Exposure to absolute maximum rating conditions for extended periods may affect device reliability.

SPECIFICATIONS							
PARAMETER	SYMBOL	TEST CONDITIONS UNLESS OTHERWISE SPECIFIED V+ = 3 V, V <sub>S</sub> = 0 V or V+ <sup>e</sup>	TEMP. <sup>a</sup>	LIMITS -40 °C to +85 °C			UNIT
				MIN. <sup>b</sup>	TYP. <sup>c</sup>	MAX. <sup>b</sup>	
<b>DC Characteristics</b>							
On resistance	R <sub>ON</sub>	V+ = 2.7 V, B <sub>0</sub> or B <sub>1</sub> = 1.5 V, I <sub>O</sub> = 100 mA	Room	-	1.6	2	Ω
			Full	-	-	3	
		V+ = 4.5 V, B <sub>0</sub> or B <sub>1</sub> = 3.5 V, I <sub>O</sub> = 100 mA	Room	-	0.86	1.2	
			Full	-	-	1.5	
On resistance flatness	R <sub>FLATNESS</sub>	V+ = 2.7 V, B <sub>0</sub> or B <sub>1</sub> = 0.75 V, 1.5 V, I <sub>O</sub> = 100 mA	Room	-	0.2	-	
			Full	-	-	-	
		V+ = 4.5 V, B <sub>0</sub> or B <sub>1</sub> = 1 V, 3.5 V, I <sub>O</sub> = 100 mA	Room	-	0.05	0.3	
			Full	-	-	0.4	
On resistance match	ΔR <sub>ON</sub>	V+ = 2.7 V, B <sub>0</sub> or B <sub>1</sub> = 1.5 V, I <sub>O</sub> = 100 mA	Room	-	0.003	-	
			Full	-	-	-	
		V+ = 4.5 V, B <sub>0</sub> or B <sub>1</sub> = 3.5 V, I <sub>O</sub> = 100 mA	Room	-	0.004	0.12	
			Full	-	-	0.15	
Switch off leakage current	I <sub>OFF</sub>	V+ = 5.5 V, A = 1 V, 4.5 V B <sub>0</sub> or B <sub>1</sub> = 4.5 V, 1 V or floating	Room	-3	1.36	3	nA
Switch on leakage current	I <sub>ON</sub>		Full	-20	-	20	
			Room	-4	1.4	4	
Full	-40		-	40			
Power down leakage	I <sub>A(DP)</sub>	V+ = 0 V, V <sub>A</sub> = 4.5 V, V <sub>S</sub> = GND	Full	-1	-	1	μA
<b>Digital Control</b>							
Input, high voltage	V <sub>INH</sub>	V+ = 2.7 V to 5.5 V	Full	1.8	-	-	V
Input, low voltage	V <sub>INL</sub>		Full	-	-	0.6	
Input current	I <sub>INH</sub> , I <sub>INL</sub>	V <sub>S</sub> = 0 or V+	Full	-1	-	1	μA

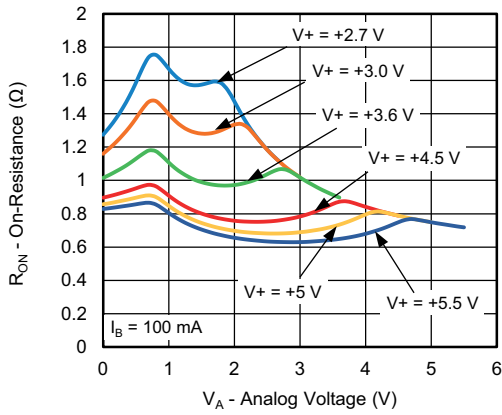


SPECIFICATIONS							
PARAMETER	SYMBOL	TEST CONDITIONS UNLESS OTHERWISE SPECIFIED $V_+ = 3\text{ V}$ , $V_S = 0\text{ V}$ or $V_+^e$	TEMP. <sup>a</sup>	LIMITS -40 °C to +85 °C			UNIT
				MIN. <sup>b</sup>	TYP. <sup>c</sup>	MAX. <sup>b</sup>	
<b>AC Characteristics</b>							
Turn-on time <sup>d</sup>	$t_{ON}$	$V_+ = 2.7\text{ V}$ , $B_0$ or $B_1 = 1.5\text{ V}$ , $R_L = 50\ \Omega$ , $C_L = 35\text{ pF}$	Room	-	27	42	ns
			Full	-	-	47	
		$V_+ = 4.5\text{ V}$ , $B_0$ or $B_1 = 1.5\text{ V}$ , $R_L = 50\ \Omega$ , $C_L = 35\text{ pF}$	Room	-	17	32	
			Full	-	-	35	
Turn-off time <sup>d</sup>	$t_{OFF}$	$V_+ = 2.7\text{ V}$ , $B_0$ or $B_1 = 1.5\text{ V}$ , $R_L = 50\ \Omega$ , $C_L = 35\text{ pF}$	Room	-	16	32	
			Full	-	-	35	
		$V_+ = 4.5\text{ V}$ , $B_0$ or $B_1 = 1.5\text{ V}$ , $R_L = 50\ \Omega$ , $C_L = 35\text{ pF}$	Room	-	11	28	
			Full	-	-	30	
Break-before-make time <sup>d</sup>	$t_{BBM}$	$V_+ = 2.7\text{ V}$ , $B_0 = B_1 = 1.5\text{ V}$ , $R_L = 50\ \Omega$ , $C_L = 35\text{ pF}$	Room	1	13	-	
				$V_+ = 4.5\text{ V}$ , $B_0 = B_1 = 1.5\text{ V}$ , $R_L = 50\ \Omega$ , $C_L = 35\text{ pF}$	1	8	-
Charge injection <sup>d</sup>	Q	$C_L = 1\text{ nF}$ , $R_{GEN} = 0\ \Omega$ , $V_{GEN} = 0\text{ V}$	Room	-	-5	-	pC
Off isolation <sup>d</sup>	OIRR	$R_L = 50\ \Omega$ , $f = 1\text{ MHz}$	Room	-	-64	-	dB
		$R_L = 50\ \Omega$ , $f = 10\text{ MHz}$		-	-41	-	
Crosstalk <sup>d</sup>	$X_{TALK}$	$R_L = 50\ \Omega$ , $C_L = 5\text{ pF}$ , $f = 1\text{ MHz}$	Room	-	-64	-	
		$R_L = 50\ \Omega$ , $C_L = 5\text{ pF}$ , $f = 10\text{ MHz}$		-	-41	-	
Bandwidth <sup>d</sup>	BW	$R_L = 50\ \Omega$	Room	-	152	-	MHz
Total harmonic distortion <sup>d</sup>	THD	$R_L = 600\ \Omega$ , $V_{SIGNAL} = 0.5\text{ V}$ , $f = 20\text{ Hz}$ to $20\text{ kHz}$	Room	-	0.0055	-	%
<b>Capacitance</b>							
BX port off capacitance <sup>d</sup>	$C_{B(OFF)}$	$R_L = 50\ \Omega$ , $C_L = 5\text{ pF}$ , $f = 1\text{ MHz}$	Room	-	13	-	pF
A port on capacitance <sup>d</sup>	$C_{A(ON)}$			-	52	-	
Control pin capacitance <sup>d</sup>	$C_{IN}$			-	1	-	
<b>Power Supply</b>							
Quiescent supply current	I+	$V_+ = 5.5\text{ V}$ , $V_S = 0\text{ V}$ , $5.5\text{ V}$	Room	-	0.0004	0.8	$\mu\text{A}$
			Full	-	-	1	

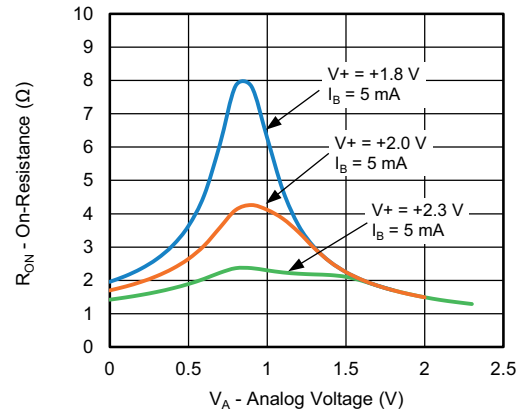
**Notes**

- a. Room = 25 °C, full = as determined by the operating suffix
- b. The algebraic convention whereby the most negative value is a minimum and the most positive a maximum, is used in this datasheet
- c. Typical values are for design aid only, not guaranteed nor subject to production testing
- d. Guarantee by design, nor subjected to production test
- e.  $V_S$  = input voltage to perform proper function

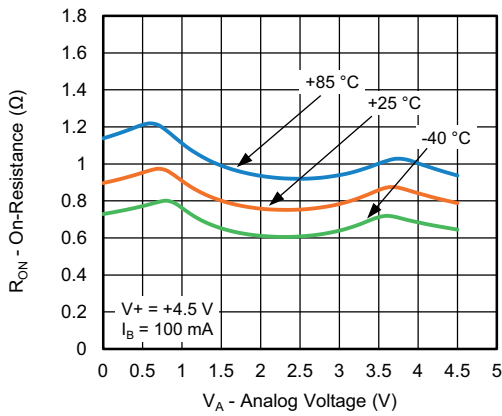
**TYPICAL CHARACTERISTICS** ( $T_A = 25\text{ }^\circ\text{C}$ , unless otherwise noted)



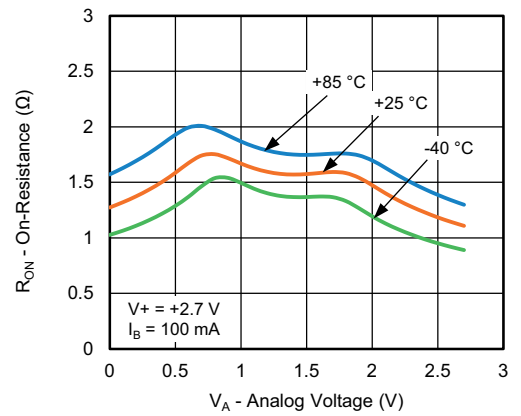
**RON vs. VA and Supply Voltage**



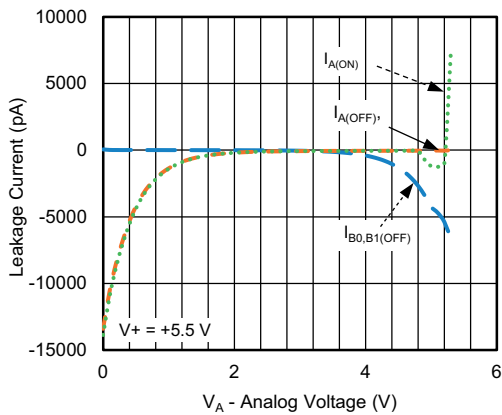
**RON vs. VA and Supply Voltage**



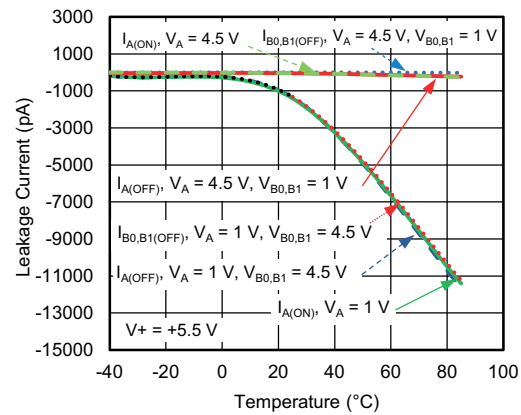
**RON vs. VA and Temperature**



**RON vs. VA and Temperature**



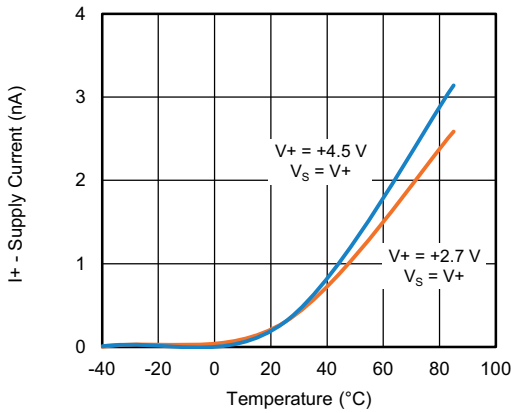
**Leakage Current vs. Analog Voltage**



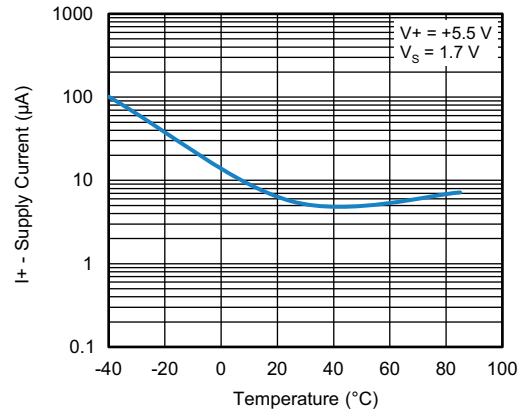
**Leakage Current vs. Temperature**



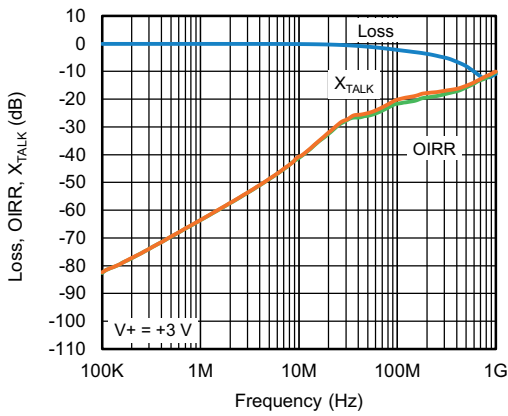
**TYPICAL CHARACTERISTICS** ( $T_A = 25\text{ }^\circ\text{C}$ , unless otherwise noted)



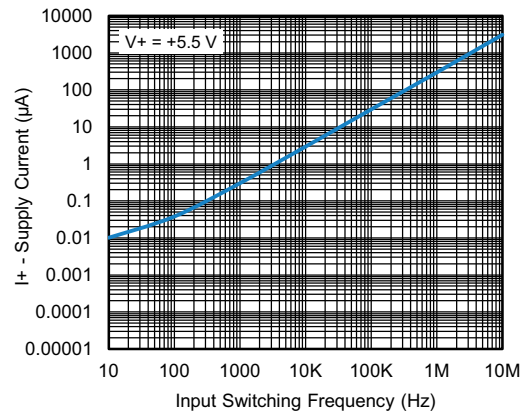
**Supply Current vs. Temperature**



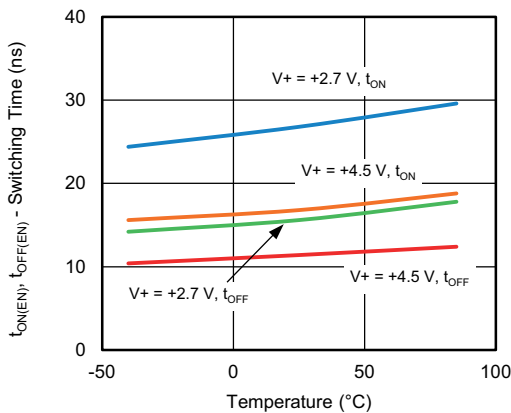
**Supply Current vs. Temperature**



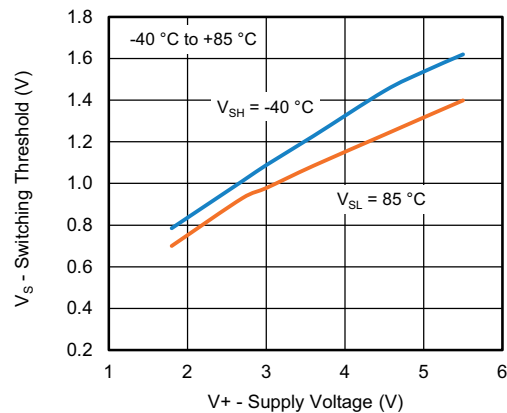
**Insertion Loss, Off-Isolation, Crosstalk vs. Frequency**



**Supply Current vs. Switching Frequency**

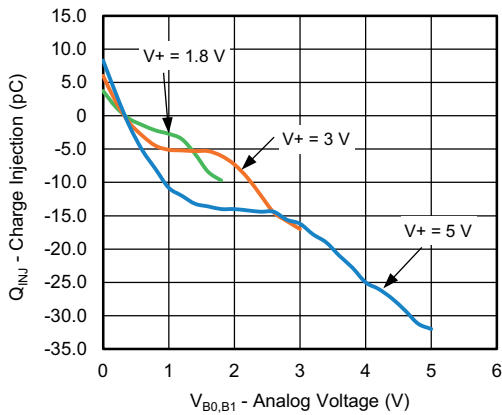


**Switching Time vs. Temperature**

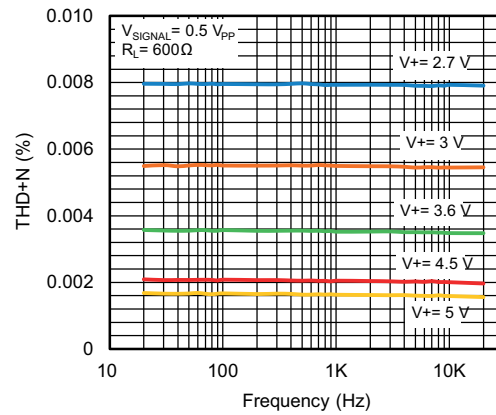


**Switching Threshold vs. Supply Voltage**

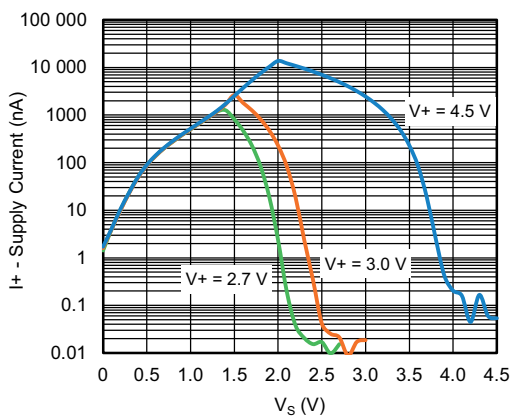
**TYPICAL CHARACTERISTICS** ( $T_A = 25\text{ }^\circ\text{C}$ , unless otherwise noted)



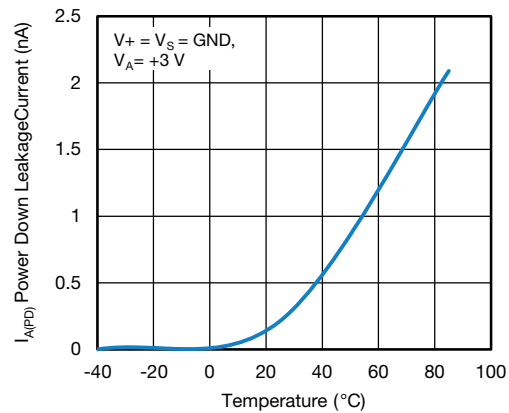
**Charge Injection vs. Source Voltage**



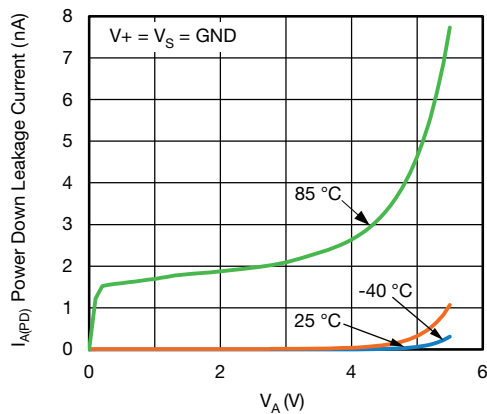
**THD+N vs. Frequency**



**Supply Current vs. Logic Voltage**

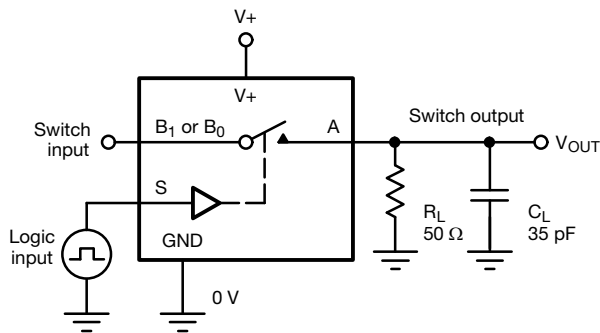


**Power Down Leakage Current vs. Temperature**



**Power Down Leakage Current vs.  $V_A$**

TEST CIRCUITS



$C_L$  (includes fixture and stray capacitance)

$$V_{OUT} = V_A \left( \frac{R_L}{R_L + R_{ON}} \right)$$

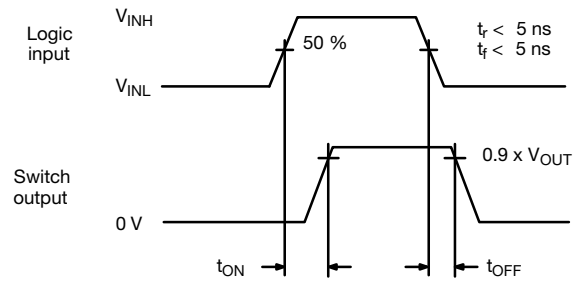
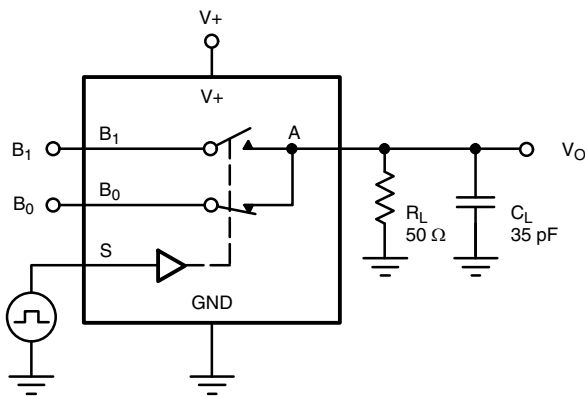


Fig. 1 - Switching Time



$C_L$  (includes fixture and stray capacitance)

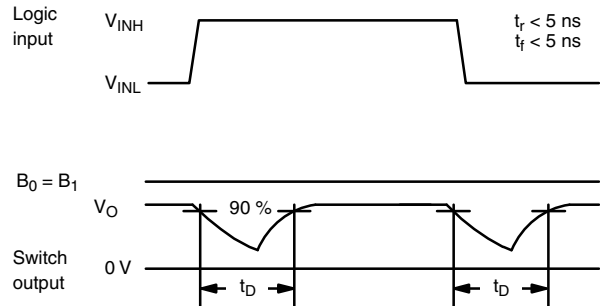
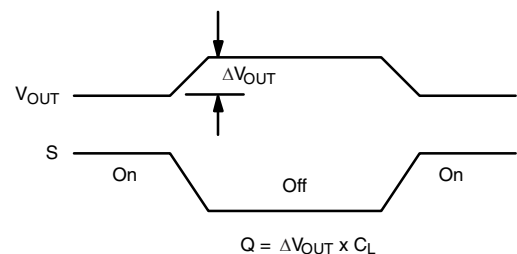
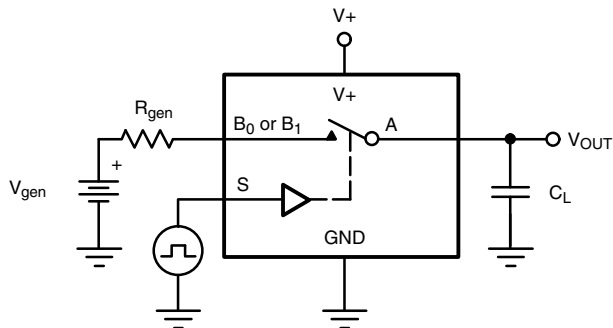


Fig. 2 - Break-Before-Make Interval



S depends on switch configuration: input polarity determined by sense of switch.

Fig. 3 - Charge Injection

TEST CIRCUITS

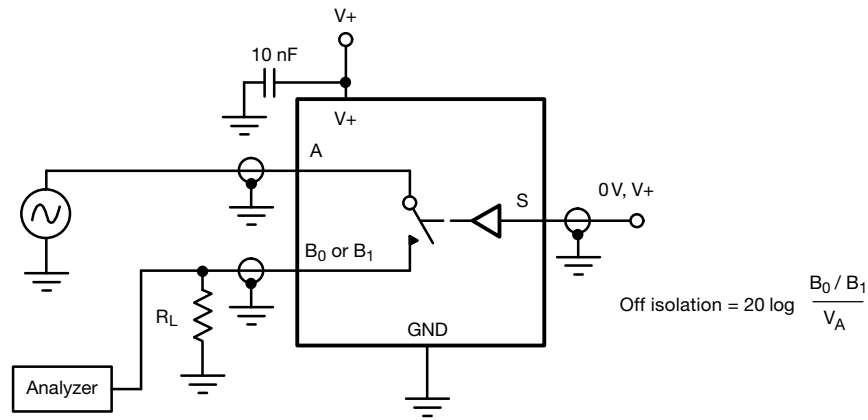


Fig. 4 - Off-Isolation

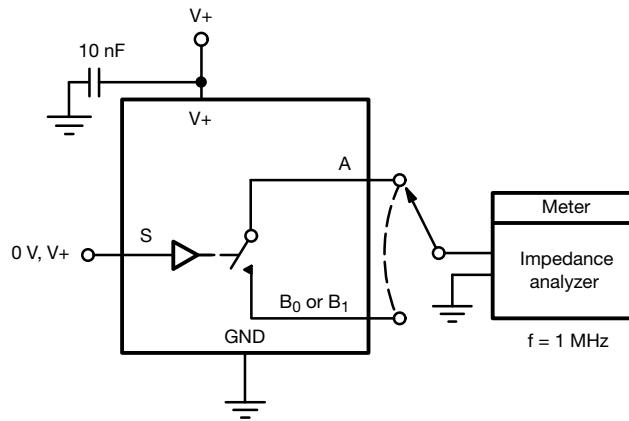


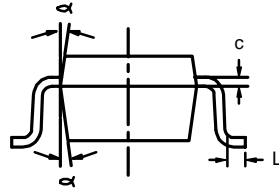
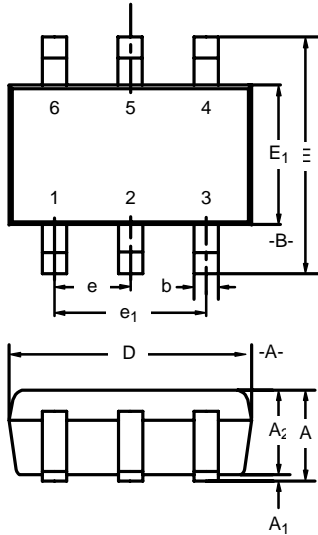
Fig. 5 - Channel Off/On Capacitance

Vishay Siliconix maintains worldwide manufacturing capability. Products may be manufactured at one of several qualified locations. Reliability data for Silicon Technology and Package Reliability represent a composite of all qualified locations. For related documents such as package / tape drawings, part marking, and reliability data, see [www.vishay.com/ppg?75778](http://www.vishay.com/ppg?75778).





**SC-70: 6-LEADS**

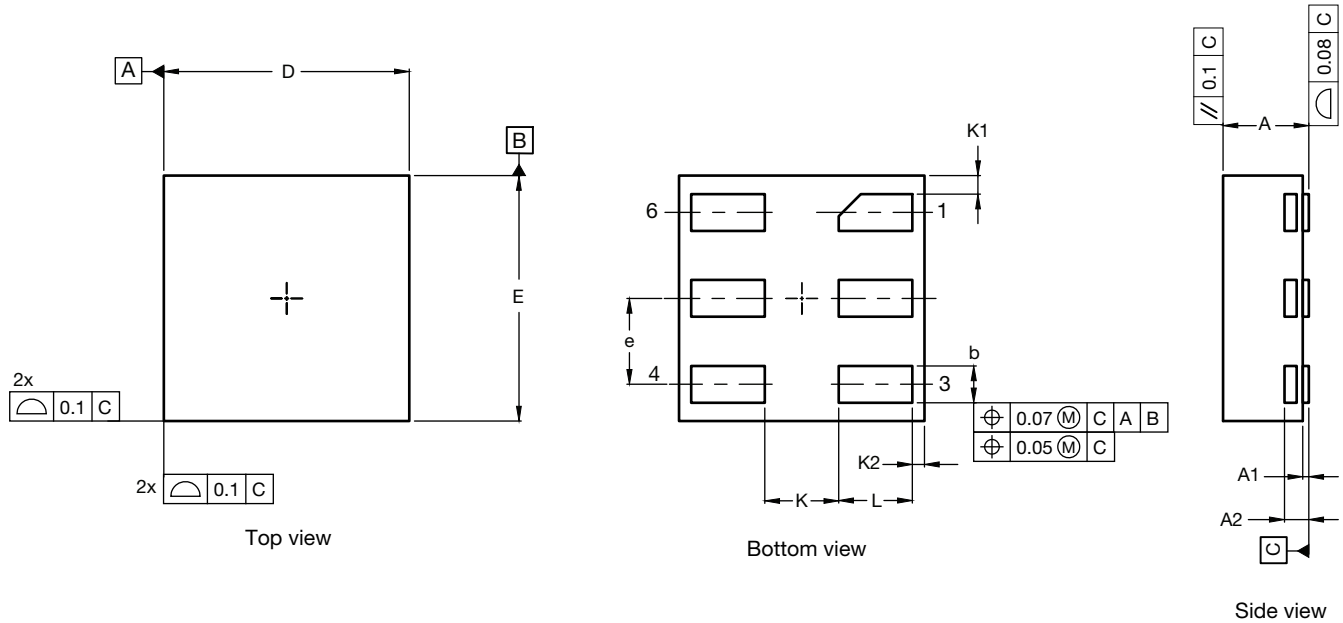


Dim	MILLIMETERS			INCHES		
	Min	Nom	Max	Min	Nom	Max
A	0.90	-	1.10	0.035	-	0.043
A <sub>1</sub>	-	-	0.10	-	-	0.004
A <sub>2</sub>	0.80	-	1.00	0.031	-	0.039
b	0.15	-	0.30	0.006	-	0.012
c	0.10	-	0.25	0.004	-	0.010
D	1.80	2.00	2.20	0.071	0.079	0.087
E	1.80	2.10	2.40	0.071	0.083	0.094
E <sub>1</sub>	1.15	1.25	1.35	0.045	0.049	0.053
e	0.65BSC			0.026BSC		
e <sub>1</sub>	1.20	1.30	1.40	0.047	0.051	0.055
L	0.10	0.20	0.30	0.004	0.008	0.012
α	7°Nom			7°Nom		

ECN: S-03946—Rev. B, 09-Jul-01  
DWG: 5550



## μDFN-6L 1 mm x 1 mm Case Outline



DIM.	MILLIMETERS			INCHES		
	MIN.	NOM.	MAX.	MIN.	NOM.	MAX.
A	0.32	0.35	0.38	0.013	0.014	0.015
A1	0.00	-	0.05	0.000	-	0.002
A2	0.10 Ref.			0.004 Ref.		
b	0.12	0.15	0.18	0.005	0.006	0.007
D	0.95	1.00	1.05	0.037	0.039	0.041
E	0.95	1.00	1.05	0.037	0.039	0.041
e	0.35 BSC			0.014 BSC		
K	0.30 Ref.			0.012 Ref.		
K1	0.075 Ref.			0.003 Ref.		
K2	0.05 Ref.			0.002 Ref.		
L	0.27	0.30	0.33	0.011	0.012	0.013

**Notes**

- (1) Use millimeters as the primary measurement.
- (2) Dimensioning and tolerances conform to ASME Y14.5M-1994.
- (3) N is the number of terminals.  
Nd and Ne is the number of terminals in each D and E site respectively.
- (4) Dimensions b applies to plated terminal and is measured between 0.15 mm and 0.30 mm from terminal tip.
- (5) The pin 1 identifier must be existed on the top surface of the package by using indentation mark or other feature of package body.
- (6) Package warpage max. 0.05 mm.

ECN: T16-0553-Rev. A, 26-Sep-16  
 DWG: 6053



## **Disclaimer**

ALL PRODUCT, PRODUCT SPECIFICATIONS AND DATA ARE SUBJECT TO CHANGE WITHOUT NOTICE TO IMPROVE RELIABILITY, FUNCTION OR DESIGN OR OTHERWISE.

Vishay Intertechnology, Inc., its affiliates, agents, and employees, and all persons acting on its or their behalf (collectively, "Vishay"), disclaim any and all liability for any errors, inaccuracies or incompleteness contained in any datasheet or in any other disclosure relating to any product.

Vishay makes no warranty, representation or guarantee regarding the suitability of the products for any particular purpose or the continuing production of any product. To the maximum extent permitted by applicable law, Vishay disclaims (i) any and all liability arising out of the application or use of any product, (ii) any and all liability, including without limitation special, consequential or incidental damages, and (iii) any and all implied warranties, including warranties of fitness for particular purpose, non-infringement and merchantability.

Statements regarding the suitability of products for certain types of applications are based on Vishay's knowledge of typical requirements that are often placed on Vishay products in generic applications. Such statements are not binding statements about the suitability of products for a particular application. It is the customer's responsibility to validate that a particular product with the properties described in the product specification is suitable for use in a particular application. Parameters provided in datasheets and / or specifications may vary in different applications and performance may vary over time. All operating parameters, including typical parameters, must be validated for each customer application by the customer's technical experts. Product specifications do not expand or otherwise modify Vishay's terms and conditions of purchase, including but not limited to the warranty expressed therein.

Except as expressly indicated in writing, Vishay products are not designed for use in medical, life-saving, or life-sustaining applications or for any other application in which the failure of the Vishay product could result in personal injury or death. Customers using or selling Vishay products not expressly indicated for use in such applications do so at their own risk. Please contact authorized Vishay personnel to obtain written terms and conditions regarding products designed for such applications.

No license, express or implied, by estoppel or otherwise, to any intellectual property rights is granted by this document or by any conduct of Vishay. Product names and markings noted herein may be trademarks of their respective owners.