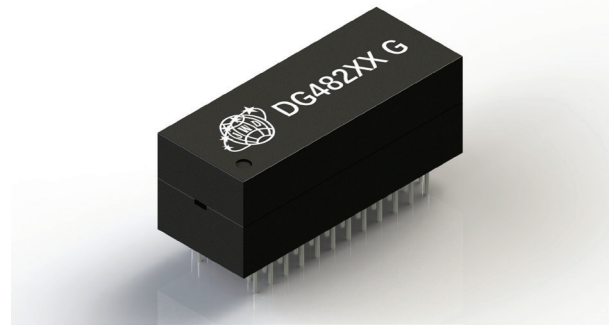


LAN TRANSFORMER

DG482XX G-Series

100/1000 Base-T Dual Ports Magnetic Modules DIP



Features And Benefits

Cable Interface For Isolation And Low Common Mode Emissions Compliant With RoHS Requirements

Electrical Performance Summary

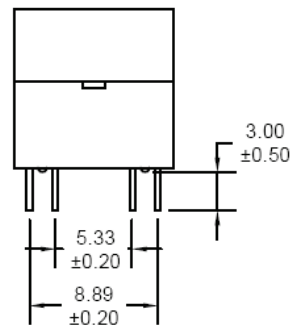
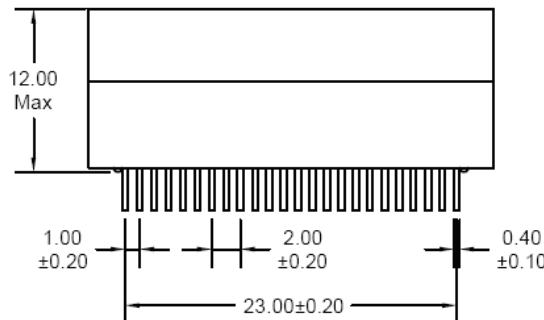
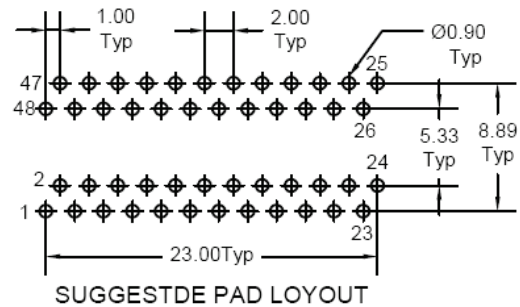
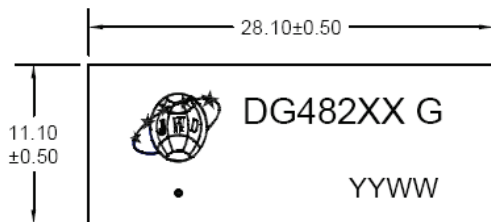
Designed For Ethernet 100/1000 Base-T, Full Dual Ports Applications

Compliant With IEEE 802.3 Standard For 100/1000 Base-T

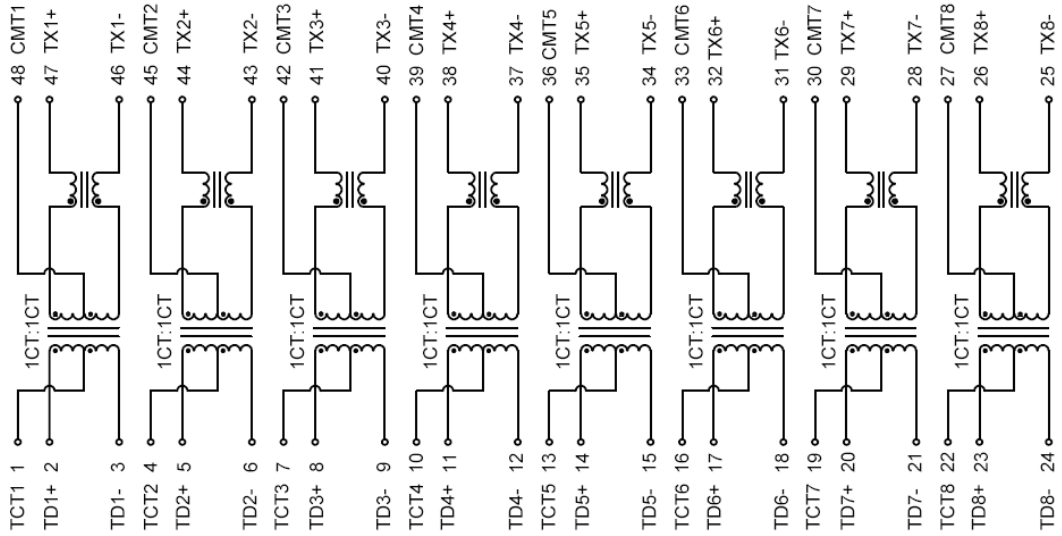
Electrical Specifications @ 25°C

| Part Number | DCL (μH) | Insertion Loss (dB) | | Return Loss (dB) | | Cross Talk (dB) | CMRR (dB) | Isolation Hipot (V) | PoE Rating | Operating Temperature (°C) |
|-------------|-----------------------------|---------------------|----------------------|------------------|---------------------|-----------------|--------------|---------------------|------------|----------------------------|
| | Min | Max | | Min | | Min | Min | | | |
| | 100kHz, 0.1V 8mA DC BIAS | 0.5-1 MHz | 1-125 MHz | 1-40 MHz | 40-100 MHz | 1-100 MHz | 1-100 MHz | 1mA, 60s | | |
| DG48201-1 G | 350 | -1.2 | $-0.2-0.002*f^{1.4}$ | -16 | $-10+20*\log(f/80)$ | -30 | -30 | 1500 | NON-PoE | 0 to 70 |
| DG48209 G | 350 | -1.2 | $-0.2-0.002*f^{1.4}$ | -16 | $-10+20*\log(f/80)$ | -30 | -30 | 1500 | PoE 15W | 0 to 70 |
| DG48209P G | 350 | -1.2 | $-0.2-0.002*f^{1.4}$ | -16 | $-10+20*\log(f/80)$ | -30 | -30 | 1500 | 4PPoE 60W | -40 to 85 |
| DG48206-1 G | 350 | -1.2 | $-0.2-0.002*f^{1.4}$ | -16 | $-10+20*\log(f/80)$ | -30 | -30 | 1500 | NON-PoE | 0 to 70 |

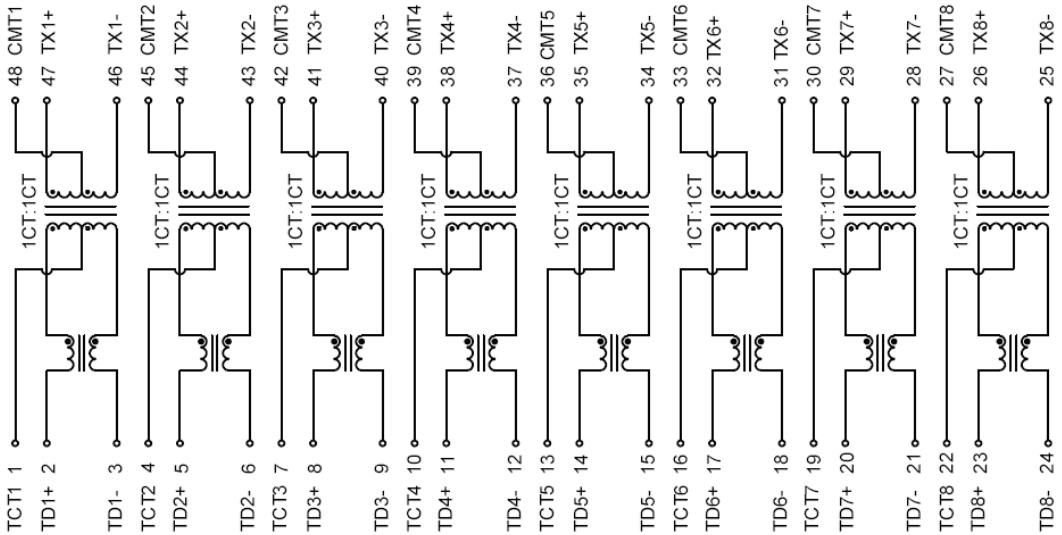
Mechanical



DG4820I-1 G



DG48209 G/DG48209P G



DG48206-1 G

