

1.0 pC Charge Injection, 100 pA Leakage, 4-Channel Multiplexer

DESCRIPTION

The DG604 is an analog 4-channel CMOS, multiplexer, designed to operate from a +2.7 V to +12 V single supply or from ±2.7 V to ±5 V, dual supplies. The DG604 is fully specified at +3 V, +5 V and ±5 V. All control logic inputs have guaranteed 2 V logic high limits when operating from +5 V or ±5 V supplies and 1.4 V when operating from a 3 V supply. The DG604 switches conduct equally well in both directions and offer rail to rail analog signal handling. < 1 pC low charge injection, coupled with very low switch capacitance and leakage current makes this product ideal for use in precision instrumentation applications. Operating temperature range is specified from -40 °C to +125 °C. The DG604 is available in 14 lead TSSOP and the space saving 1.8 mm x 2.6 mm miniQFN package.

FEATURES

- Halogen-free according to IEC 61249-2-21 Definition
- Ultra low charge injection (± 1 pC, typ. over the full analog signal range)
- Leakage current < 0.5 nA max. at 85 °C (for DG604EQ-T1-E3)
- Low switch capacitance (C_{soff} , 3 pF typ.)
- Low $R_{\text{DS(on)}}$ - 115 Ω max.
- Fully specified with single supply operation at 3 V, 5 V and dual supplies at ±5 V
- Low voltage, 2.5 V CMOS/TTL compatible
- 400 MHz, -3 dB bandwidth
- Excellent isolation and crosstalk performance (typ. > -60 dB at 10 MHz)
- Fully specified from -40 °C to 85 °C and -40 °C to +125 °C
- 14 pin TSSOP and 16 pin miniQFN package (1.8 mm x 2.6 mm)
- Compliant to RoHS Directive 2002/95/EC

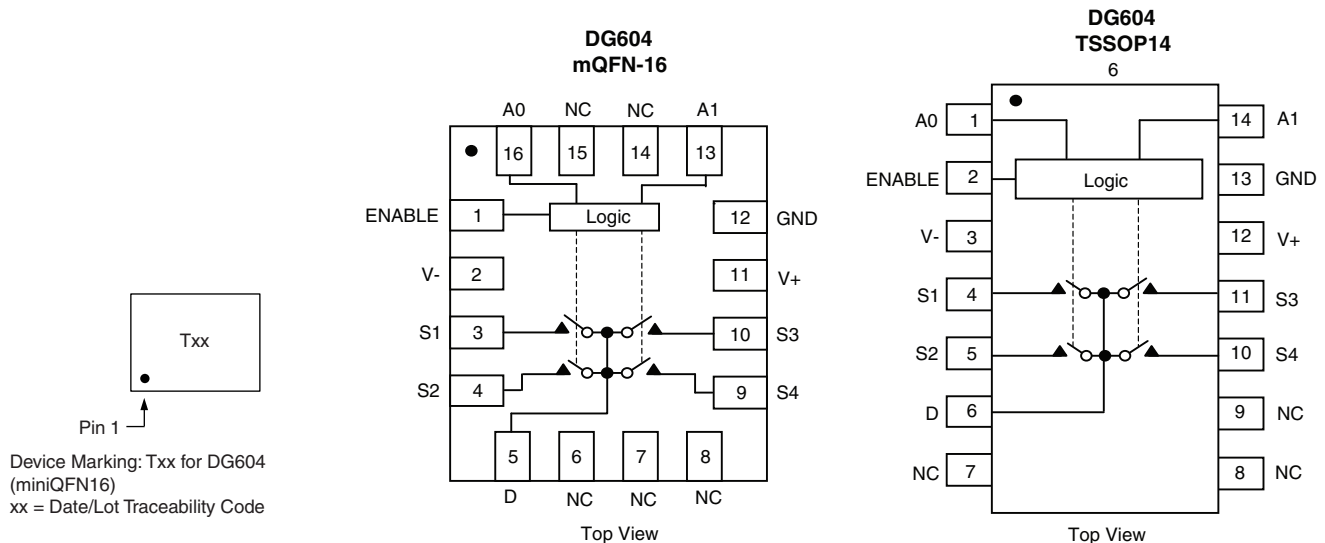


RoHS
COMPLIANT
HALOGEN
FREE

APPLICATIONS

- High-end data acquisition
- Medical instruments
- Precision instruments
- High speed communications applications
- Automated test equipment
- Sample and hold applications

FUNCTIONAL BLOCK DIAGRAM AND PIN CONFIGURATION





TRUTH TABLE			
Enable Input	Selected Input		On Switches
	A1	A0	DG604
L	X	X	All Switches Open
H	L	L	D to S1
H	L	H	D to S2
H	H	L	D to S3
H	H	H	D to S4

ORDERING INFORMATION		
Temp. Range	Package	Part Number
- 40 °C to 125 °C ^a	14 pin TSSOP	DG604EQ-T1-E3
	16 pin miniQFN	DG604EN-T1-E4

Notes:

a. - 40 °C to 85 °C datasheet limits apply.

ABSOLUTE MAXIMUM RATINGS $T_A = 25\text{ °C}$, unless otherwise noted			
Parameter		Limit	Unit
V+ to V-		14	V
GND to V-		7	
Digital Inputs ^a , V _S , V _D		(V-) - 0.3 to (V+) + 0.3 or 30 mA, whichever occurs first	
Continuous Current (Any Terminal)		30	mA
Peak Current, S or D (Pulsed 1 ms, 10 % Duty Cycle)		100	
Storage Temperature		- 65 to 150	°C
Power Dissipation (Package) ^b	14 pin TSSOP ^c	450	mW
	16 pin miniQFN ^{d, e}	525	
Thermal Resistance (Package) ^b	14 pin TSSOP	178	C/W
	16 pin miniQFN	152	

Notes:

a. Signals on SX, DX, or INX exceeding V+ or V- will be clamped by internal diodes. Limit forward diode current to maximum current ratings.

b. All leads welded or soldered to PC board.

c. Derate 5.6 mW/°C above 70 °C.

d. Derate 6.6 mW/°C above 70 °C.

e. Manual soldering with iron is not recommended for leadless components. The miniQFN-16 is a leadless package. The end of the lead terminal is exposed copper (not plated) as a result of the singulation process in manufacturing. A solder fillet at the exposed copper lip cannot be guaranteed and is not required to ensure adequate bottom side solder interconnection.

SPECIFICATIONS FOR DUAL SUPPLIES									
Parameter	Symbol	Test Conditions Unless Otherwise Specified V+ = 5 V, V- = - 5 V V _{IN} A0, A1 and ENABLE = 2 V, 0.8 V ^a	Temp. ^b	Typ. ^c	- 40 °C to 125 °C		- 40 °C to 85 °C		Unit
					Min. ^d	Max. ^d	Min. ^d	Max. ^d	
Analog Switch									
Analog Signal Range ^e	V _{ANALOG}		Full		- 5	5	- 5	5	V
On-Resistance	R _{DS(on)}	I _S = 1 mA, V _D = - 3 V, 0 V, + 3 V	Room Full	70		115 160		115 140	Ω
On-Resistance Match	ΔR _{ON}	I _S = 1 mA, V _D = ± 3 V	Room Full	1		5 6.5		5 6.5	
On-Resistance Flatness	R _{FLATNESS}	I _S = 1 mA, V _D = - 3 V, 0 V, + 3 V	Room Full	10		20 33		20 22	



SPECIFICATIONS FOR DUAL SUPPLIES									
Parameter	Symbol	Test Conditions Unless Otherwise Specified V+ = 5 V, V- = - 5 V VIN A0, A1 and ENABLE = 2 V, 0.8 V ^a	Temp. ^b	Typ. ^c	- 40 °C to 125 °C		- 40 °C to 85 °C		Unit
					Min. ^d	Max. ^d	Min. ^d	Max. ^d	
Analog Switch									
Switch Off Leakage Current (for 14 pin TSSOP)	I _{S(off)}	V+ = 5.5 V, V- = - 5.5 V V _D = ± 4.5 V, V _S = ∓ 4.5 V	Room Full	± 0.01	- 0.1 - 18	0.1 18	- 0.1 - 0.5	0.1 0.5	nA
	I _{D(off)}		Room Full	± 0.01	- 0.1 - 18	0.1 18	- 0.1 - 0.5	0.1 0.5	
Channel On Leakage Current (for 14 pin TSSOP)	I _{D(on)}	V+ = 5.5 V, V- = - 5.5 V, V _S = V _D = ± 4.5 V	Room Full	± 0.01	- 0.1 - 18	0.1 18	- 0.1 - 0.5	0.1 0.5	
Switch Off Leakage Current (for 16 pin miniQFN)	I _{S(off)}	V+ = 5.5 V, V- = - 5.5 V V _D = ± 4.5 V, V _S = ∓ 4.5 V	Room Full	± 0.01	- 1 - 18	1 18	- 1 - 2	1 2	
	I _{D(off)}		Room Full	± 0.01	- 1 - 18	1 18	- 1 - 2	1 2	
Channel On Leakage Current (for 16 pin miniQFN)	I _{D(on)}	V+ = 5.5 V, V- = - 5.5 V, V _S = V _D = ± 4.5 V	Room Full	± 0.01	- 1 - 18	1 18	- 1 - 2	1 2	
Digital Control									
Input Current, V _{IN} Low	I _{IL}	V _{IN} A0, A1 and ENABLE Under Test = 0.8 V	Full	0.005	- 0.1	0.1	- 0.1	0.1	μA
Input Current, V _{IN} High	I _{IH}	V _{IN} A0, A1 and ENABLE Under Test = 2 V	Full	0.005	- 0.1	0.1	- 0.1	0.1	
Input Capacitance ^e	C _{IN}	f = 1 MHz	Room	3.4					pF
Dynamic Characteristics									
Transition Time	t _{TRANS}	V _{S(CLOSE)} = 3 V, V _{S(OPEN)} = 0 V, R _L = 300 Ω, C _L = 35 pF	Room Full	20		70 105		70 80	ns
Turn-On Time	t _{ON}	R _L = 300 Ω, C _L = 35 pF V _S = ± 3 V	Room Full	16		60 90		60 65	
Turn-Off Time	t _{OFF}		Room Full	15		52 76		52 56	
Break-Before-Make Time Delay	t _D	V _S = 3 V R _L = 300 Ω, C _L = 35 pF	Room Full	15	10		10		
Charge Injection ^e	Q	V _g = 0 V, R _g = 0 Ω, C _L = 1 nF	Room	0.7					pC
Off Isolation ^e	OIRR	R _L = 50 Ω, C _L = 5 pF, f = 10 MHz	Room	- 72					dB
Bandwidth ^e	BW	R _L = 50 Ω	Room	400					MHz
Channel-to-Channel Crosstalk ^e	X _{TALK}	R _L = 50 Ω, C _L = 5 pF, f = 10 MHz	Room	- 81					dB
Source Off Capacitance ^e	C _{S(off)}	f = 1 MHz	Room	2.7					pF
Drain Off Capacitance ^e	C _{D(off)}		Room	7.3					
Channel On Capacitance ^e	C _{D(on)}		Room	13.8					
Total Harmonic Distortion ^e	THD	Signal = 1 V _{RMS} , 20 Hz to 20 kHz, R _L = 600 Ω	Room	0.01					%
Power Supplies									
Power Supply Current	I+	V _{IN} = 0 V, or V+	Room Full	0.001		0.5 1		0.5 1	μA
Negative Supply Current	I-		Room Full	- 0.001	- 0.5 - 1		- 0.5 - 1		
Ground Current	I _{GND}		Room Full	- 0.001	- 0.5 - 1		- 0.5 - 1		



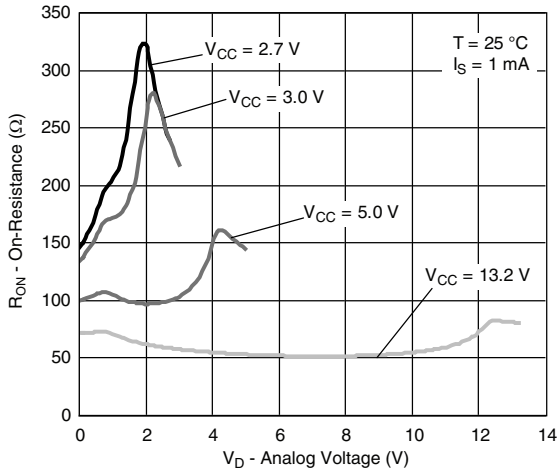
SPECIFICATIONS FOR SINGLE SUPPLY									
Parameter	Symbol	Test Conditions Unless Otherwise Specified V+ = 5 V, V- = 0 V VIN A0, A1 and ENABLE = 2 V, 0.8 V ^a	Temp. ^b	Typ. ^c	- 40 °C to 125 °C		- 40 °C to 85 °C		Unit
					Min. ^d	Max. ^d	Min. ^d	Max. ^d	
Analog Switch									
Analog Signal Range ^e	V _{ANALOG}		Full			5		5	V
On-Resistance	R _{DS(on)}	I _S = 1 mA, V _D = + 3.5 V	Room Full	120		170 250		170 200	Ω
On-Resistance Match	ΔR _{ON}	I _S = 1 mA, V _D = + 3.5 V	Room Full	3		5 12		5 10	
Switch Off Leakage Current (for 14 pin TSSOP)	I _{S(off)}	V+ = 5.5 V, V- = 0 V V _D = 1 V/4.5 V, V _S = 4.5 V/1 V	Room Full	± 0.01	- 0.1 - 18	0.1 18	- 0.1 - 0.5	0.1 0.5	nA
	I _{D(off)}		Room Full	± 0.01	- 0.1 - 18	0.1 18	- 0.1 - 0.5	0.1 0.5	
Channel On Leakage Current (for 14 pin TSSOP)	I _{D(on)}	V+ = 5.5 V, V- = 0 V V _S = V _D = 1 V/4.5 V	Room Full	± 0.01	- 0.1 - 18	0.1 18	- 0.1 - 0.5	0.1 0.5	
Switch Off Leakage Current (for 16 pin miniQFN)	I _{S(off)}	V+ = 5.5 V, V- = - 5.5 V V _D = 1 V/4.5 V, V _S = 4.5 V/1 V	Room Full	± 0.01	- 1 - 18	1 18	- 1 - 2	1 2	
	I _{D(off)}		Room Full	± 0.01	- 1 - 18	1 18	- 1 - 2	1 2	
Channel On Leakage Current (for 16 pin miniQFN)	I _{D(on)}	V+ = 5.5 V, V- = 0 V, V _S = V _D = 1 V/4.5 V	Room Full	± 0.01	- 1 - 18	1 18	- 1 - 2	1 2	
Digital Control									
Input Current, V _{IN} Low	I _L	V _{IN} A0, A1 and ENABLE Under Test = 0.8 V	Full	0.005	- 0.1	0.1	- 0.1	0.1	μA
Input Current, V _{IN} High	I _H	V _{IN} A0, A1 and ENABLE Under Test = 2 V	Full	0.005	- 0.1	0.1	- 0.1	0.1	
Input Capacitance	C _{IN}	f = 1 MHz	Room	4.3					pF
Dynamic Characteristics									
Transition Time	t _{TRANS}	V _{S(CLOSE)} = 3 V, V _{S(OPEN)} = 0 V, R _L = 300 Ω, C _L = 35 pF	Room Full	36		75 120		75 95	ns
Enable Turn-On Time	t _{ON(EN)}		Room Full	30		70 102		70 80	
Enable Turn-Off Time	t _{OFF(EN)}		Room Full	17		47 88		47 63	
Break-Before-Make-Time	t _{BMM}		Room Full	23	5		5		
Charge Injection	Q	C _L = 1 nF, R _{GEN} = 0 Ω, V _{GEN} = 0 V	Full	0.15					pC
Off-Isolation ^e	OIRR	f = 10 MHz, R _L = 50 Ω, C _L = 5 pF	Room	- 58					dB
Crosstalk ^e	X _{TALK}		Room	- 81					
Bandwidth ^e	BW	R _L = 50 Ω	Room	330					MHz
Total Harmonic Distortion	THD	Signal = 1 V _{RMS} , 20 Hz to 20 kHz, R _L = 600 Ω	Room	0.009					%
Source Off Capacitance ^e	C _{S(off)}	f = 1 MHz	Room	3.1					pF
Drain Off Capacitance ^e	C _{D(off)}			11.6					
Channel On Capacitance ^e	C _{D(on)}			16.2					
Power Supplies									
Power Supply Current	I+	V _{IN} = 0 V, or V+	Room Full	0.001		0.5 1		0.5 1	μA
Negative Supply Current	I-		Room Full	- 0.001	- 0.5 - 1		- 0.5 - 1		
Ground Current	I _{GND}		Room Full	- 0.001	- 0.5 - 1		- 0.5 - 1		



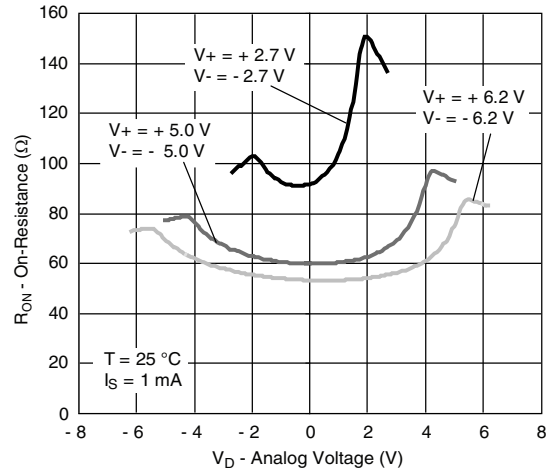
SPECIFICATIONS FOR SINGLE SUPPLY									
Parameter	Symbol	Test Conditions Unless Otherwise Specified V ₊ = 3 V, V ₋ = 0 V V _{IN A0, A1} and ENABLE = 1.4 V, 0.6 V ^a	Temp. ^b	Typ. ^c	- 40 °C to + 125 °C		- 40 °C to + 85 °C		Unit
					Min. ^d	Max. ^d	Min. ^d	Max. ^d	
Analog Switch									
Analog Signal Range ^e	V _{ANALOG}		Full			3		3	V
On-Resistance	R _{DS(ON)}	I _S = 1 mA, V _D = + 1.5 V	Room Full	200		245 325		245 290	Ω
On-Resistance Match	ΔR _{ON}	I _S = 1 mA, V _D = + 1.5 V	Room Full	5		6 13		11 6	
Switch Off Leakage Current (for 14 pin TSSOP)	I _{S(off)}	V ₊ = 3 V, V ₋ = 0 V V _D = 1 V/3 V, V _S = 3 V/1 V	Room Full	± 0.01	- 0.1 - 18	0.1 18	- 0.1 - 0.5	0.1 0.5	nA
	I _{D(off)}		Room Full	± 0.01	- 0.1 - 18	0.1 18	- 0.1 - 0.5	0.1 0.5	
Channel On Leakage Current (for 14 pin TSSOP)	I _{D(on)}	V ₊ = 3 V, V ₋ = 0 V V _S = V _D = 1 V/3 V	Room Full	± 0.01	- 0.1 - 18	0.1 18	- 0.1 - 0.5	0.1 0.5	
Switch Off Leakage Current (for 16 pin miniQFN)	I _{S(off)}	V ₊ = 3.3 V, V ₋ = 0 V V _D = 1 V/3 V, V _S = 3 V/1 V	Room Full	± 0.01	- 1 - 18	1 18	- 1 - 2	1 2	
	I _{D(off)}		Room Full	± 0.01	- 1 - 18	1 18	- 1 - 2	1 2	
Channel On Leakage Current (for 16 pin miniQFN)	I _{D(on)}	V ₊ = 3.3 V, V ₋ = 0 V V _D = 1 V/3 V, V _S = 3 V/1 V	Room Full	± 0.01	- 1 - 18	1 18	- 1 - 2	1 2	
Digital Control									
Input Current, V _{IN} Low	I _L	V _{IN A0, A1} and ENABLE Under Test = 0.6 V	Full	0.005	- 1	1	- 1	1	μA
Input Current, V _{IN} High	I _H	V _{IN A0, A1} and ENABLE Under Test = 1.4 V	Full	0.005	- 1	1	- 1	1	
Input Capacitance	C _{IN}	f = 1 MHz	Room	4.3					pF
Dynamic Characteristics									
Transition Time	t _{TRANS}	V _{S(CLOSE)} = 3 V, V _{S(OPEN)} = 0 V, R _L = 300 Ω, C _L = 35 pF	Room Full	95		130 190		130 160	ns
Enable Turn-On Time	t _{ON(EN)}		Room Full	77		108 161		108 131	
Enable Turn-Off Time	t _{OFF(EN)}		Room Full	35		76 112		76 88	
Break-Before-Make-Time	t _{BMM}		Room Full	45	5		5		
Charge Injection	Q	C _L = 1 nF, R _{GEN} = 0 Ω, V _{GEN} = 0 V	Full	0.1					pC
Off-Isolation ^e	OIRR	f = 10 MHz, R _L = 50 Ω, C _L = 5 pF	Room	- 58					dB
Crosstalk ^e	X _{TALK}		Room	- 90					
Bandwidth ^e	BW	R _L = 50 Ω	Room	290					MHz
Total Harmonic Distortion	THD	Signal = 1 V _{RMS} , 20 Hz to 20 kHz, R _L = 600 Ω	Room	0.09					%
Source Off Capacitance ^e	C _{S(off)}	f = 1 MHz	Room	3.1					pF
Drain Off Capacitance ^e	C _{D(off)}			11.7					
Channel On Capacitance ^e	C _{D(on)}			16.5					
Power Supplies									
Power Supply Current	I ₊	V _{IN} = 0 V, or V ₊	Room Full	0.001		0.5 1		0.5 1	μA
Negative Supply Current	I ₋		Room Full	- 0.001	- 0.5 - 1		- 0.5 - 1		
Ground Current	I _{GND}		Room Full	- 0.001	- 0.5 - 1		- 0.5 - 1		

Stresses beyond those listed under "Absolute Maximum Ratings" may cause permanent damage to the device. These are stress ratings only, and functional operation of the device at these or any other conditions beyond those indicated in the operational sections of the specifications is not implied. Exposure to absolute maximum rating conditions for extended periods may affect device reliability.

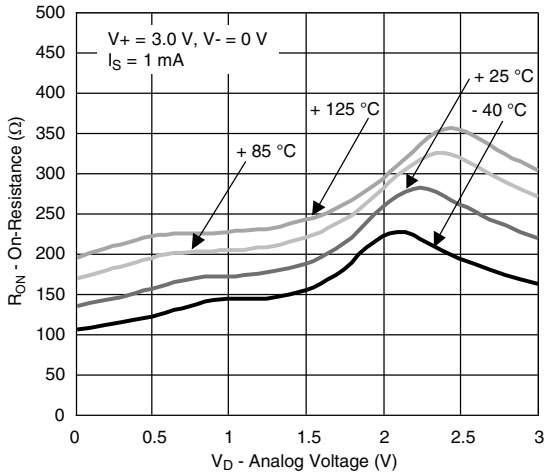
TYPICAL CHARACTERISTICS (25 °C, unless otherwise noted)



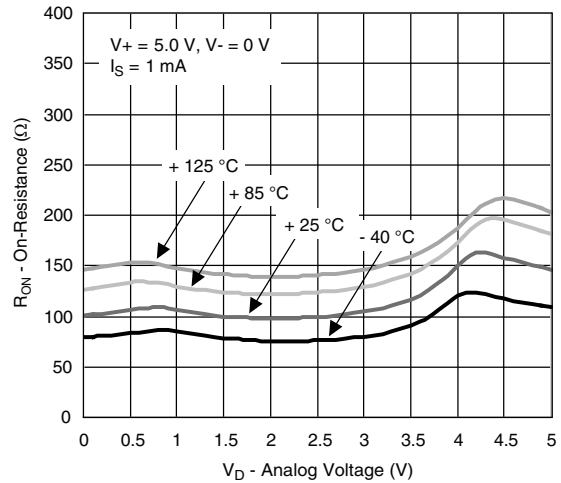
On-Resistance vs. V_D (Single Supply Voltage)



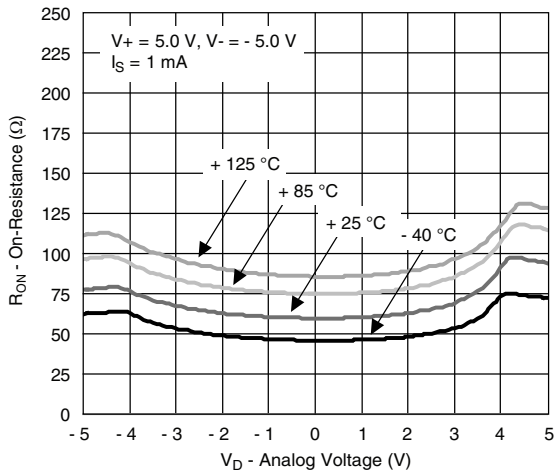
On-Resistance vs. V_D (Dual Supply Voltage)



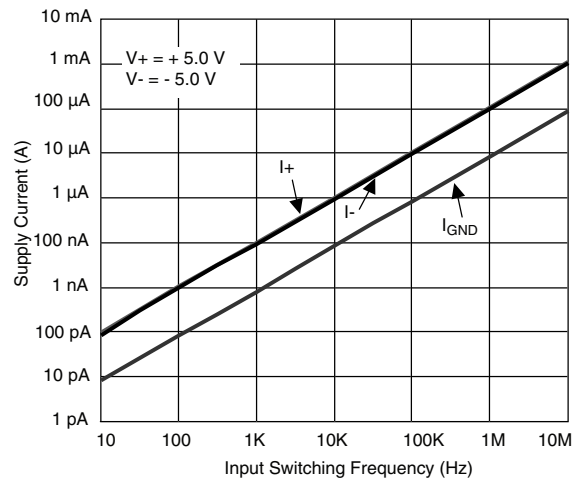
On-Resistance vs. Analog Voltage and Temperature



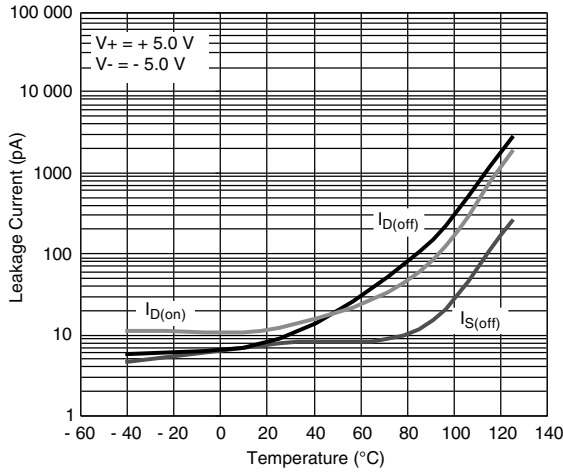
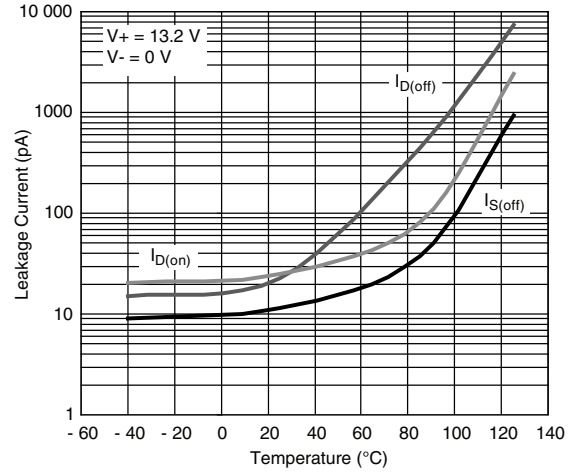
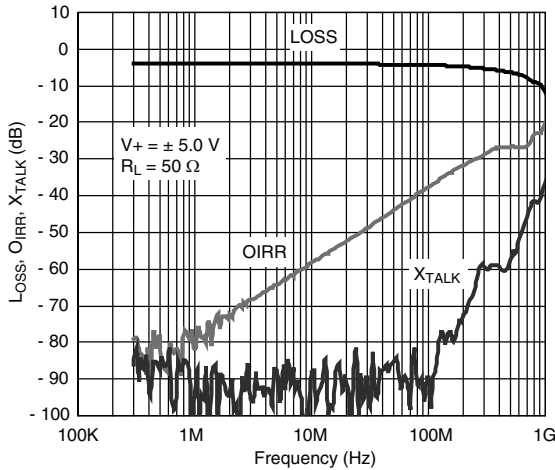
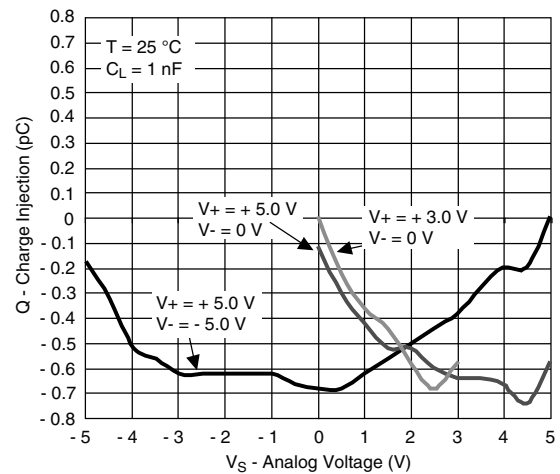
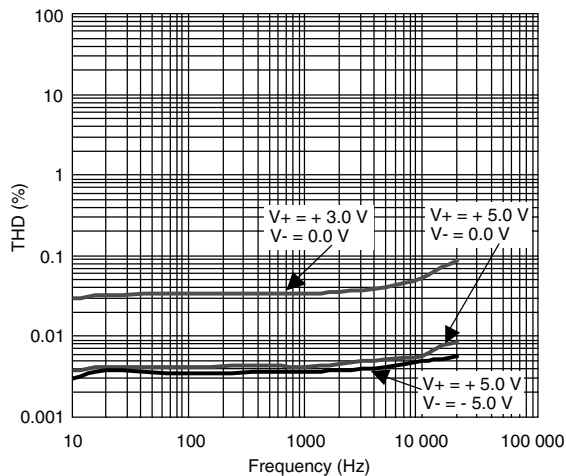
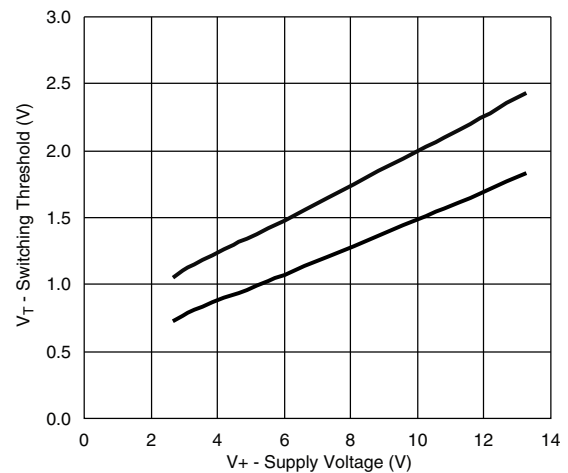
On-Resistance vs. Analog Voltage and Temperature



On-Resistance vs. Analog Voltage and Temperature



Supply Current vs. Input Switching Frequency

TYPICAL CHARACTERISTICS (25 °C, unless otherwise noted)

Leakage Current vs. Temperature

Leakage Current vs. Temperature

Insertion Loss, Off-Isolation, Crosstalk vs. Frequency

Charge Injection vs. Analog Voltage

Total Harmonic Distortion vs. Frequency

Switching Threshold vs. Supply Voltage

TEST CIRCUITS

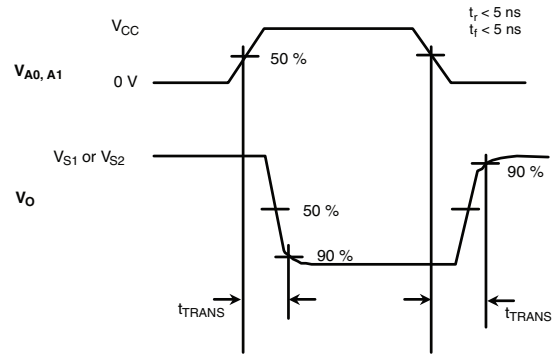
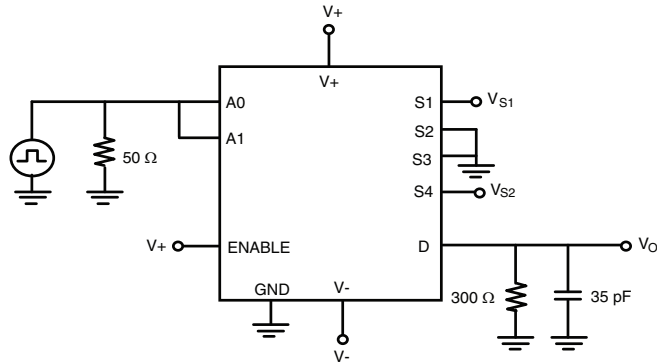


Figure 1. Transition Time

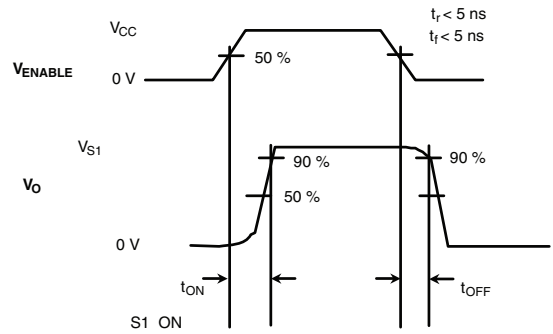
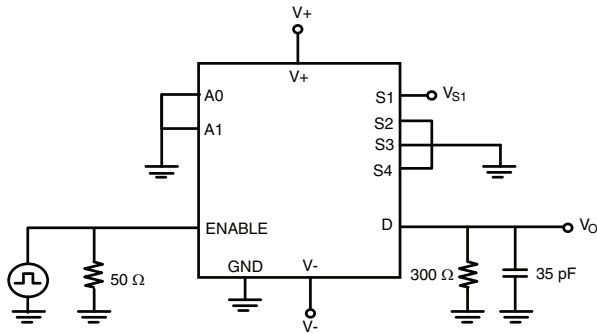


Figure 2. Enable Switching Time

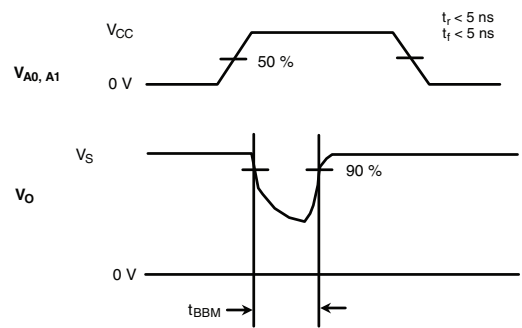
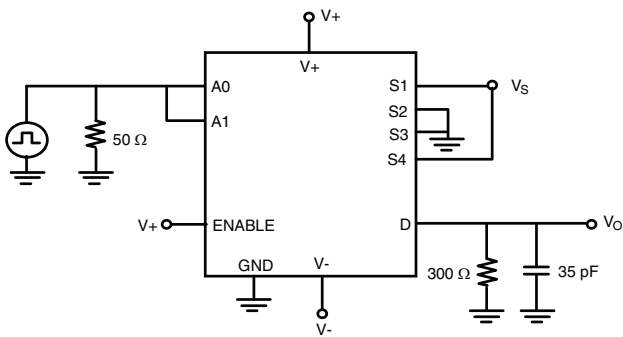


Figure 3. Break-Before-Make

TEST CIRCUITS

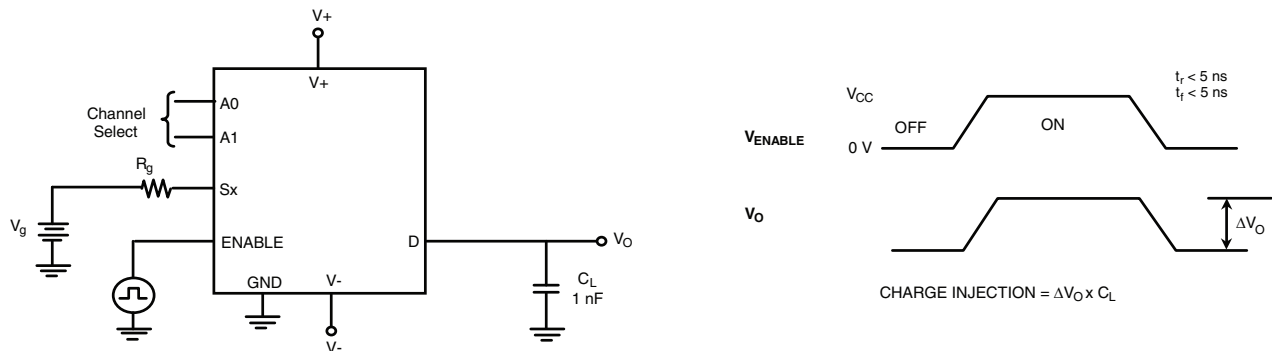


Figure 4. Charge Injection

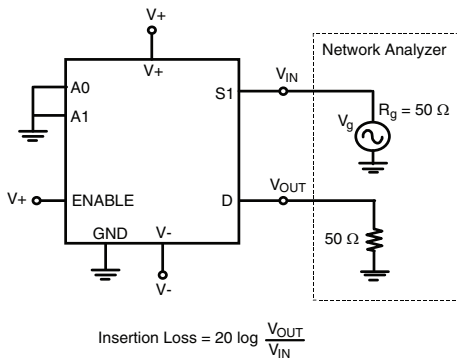


Figure 5. Insertion Loss

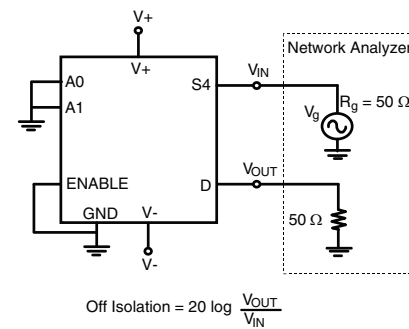


Figure 6. Off-Isolation

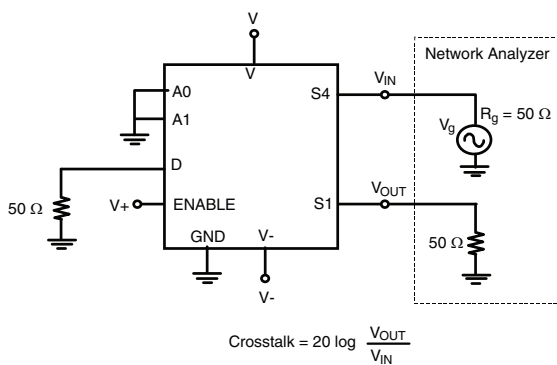


Figure 7. Crosstalk

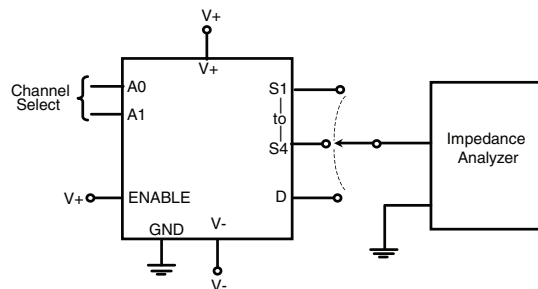
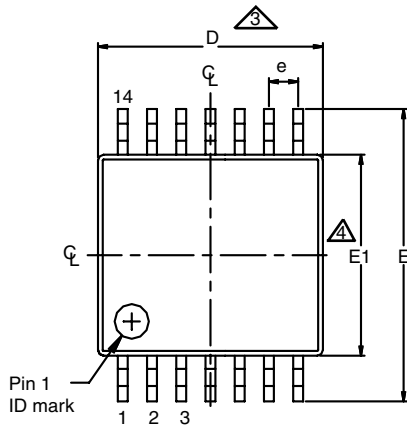


Figure 8. Source/Drain Capacitance

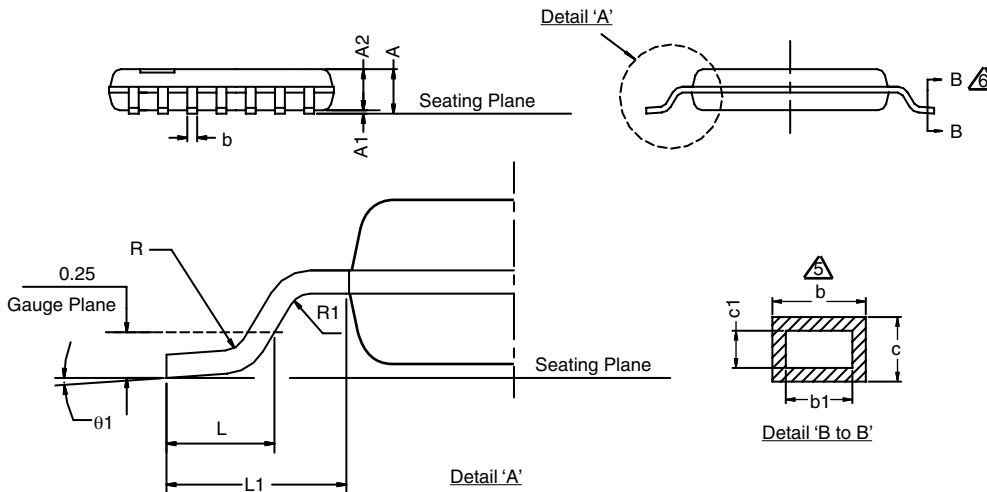
Vishay Siliconix maintains worldwide manufacturing capability. Products may be manufactured at one of several qualified locations. Reliability data for Silicon Technology and Package Reliability represent a composite of all qualified locations. For related documents such as package/tape drawings, part marking, and reliability data, see www.vishay.com/ppq?69934.

14L TSSOP



Notes:

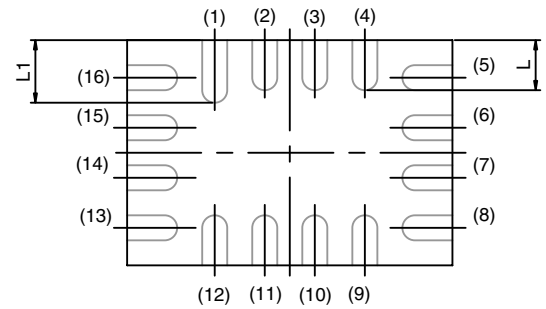
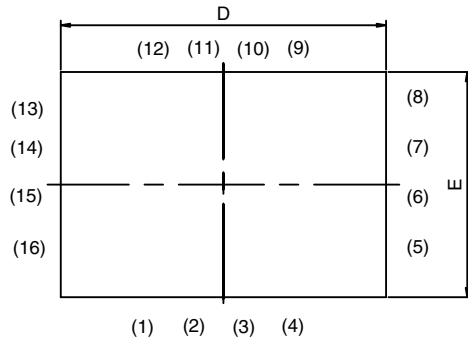
1. All dimensions are in millimeters (angles in degrees)
2. Dimensioning and tolerancing per ANSI Y14.5M-1982
- ⚠ Dimension 'D' does not include mold flash, protrusions or gate burrs
- ⚠ Dimension 'E1' does not include internal flash or protrusion
- ⚠ Dimension 'b' does not include dambar protrusion
- ⚠ Cross section B to B to be determined at 0.10 mm to 0.25 mm from the lead tip



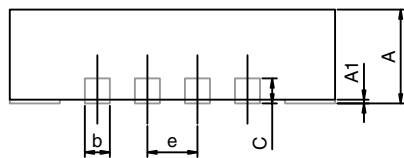
SYMBOL	MINIMUM	NOMINAL	MAXIMUM
A	-	-	1.20
A1	0.05	-	0.15
A2	0.80	0.90	1.05
D	4.9	5.0	5.1
E1	4.3	4.4	4.5
E	6.2	6.4	6.6
L	0.45	0.60	0.75
R	0.09	-	-
R1	0.09	-	-
b	0.19	-	0.30
b1	0.19	0.22	0.25
c	0.09	-	0.20
c1	0.09	-	0.16
θ1	0°	-	8°
L1		1.0 ref.	
e		0.65 BSC	

ECN: T-07766-Rev. A, 14-Jan-08
DWG: 5962

MINI QFN-16L



BACK SIDE VIEW



DIM	MILLIMETERS			INCHES		
	MIN.	NAM	MAX.	MIN.	NAM	MAX.
A	0.70	0.75	0.80	0.0275	0.0295	0.0315
A1	0	-	0.05	0	-	0.002
b	0.15	0.20	0.25	0.0059	0.0078	0.0098
C	0.15	0.20	0.25	0.0059	0.0078	0.0098
D	2.60 BSC			0.1023 BSC		
E	1.80 BSC			0.0708 BSC		
e	0.40 BSC			0.0157 BSC		
L	0.35	0.40	0.45	0.0137	0.0157	0.0177
L1	0.45	0.50	0.55	0.0177	0.0196	0.0216

ECN T-06380-Rev. A, 14-Aug-06
DWG: 5954



Disclaimer

ALL PRODUCT, PRODUCT SPECIFICATIONS AND DATA ARE SUBJECT TO CHANGE WITHOUT NOTICE TO IMPROVE RELIABILITY, FUNCTION OR DESIGN OR OTHERWISE.

Vishay Intertechnology, Inc., its affiliates, agents, and employees, and all persons acting on its or their behalf (collectively, "Vishay"), disclaim any and all liability for any errors, inaccuracies or incompleteness contained in any datasheet or in any other disclosure relating to any product.

Vishay makes no warranty, representation or guarantee regarding the suitability of the products for any particular purpose or the continuing production of any product. To the maximum extent permitted by applicable law, Vishay disclaims (i) any and all liability arising out of the application or use of any product, (ii) any and all liability, including without limitation special, consequential or incidental damages, and (iii) any and all implied warranties, including warranties of fitness for particular purpose, non-infringement and merchantability.

Statements regarding the suitability of products for certain types of applications are based on Vishay's knowledge of typical requirements that are often placed on Vishay products in generic applications. Such statements are not binding statements about the suitability of products for a particular application. It is the customer's responsibility to validate that a particular product with the properties described in the product specification is suitable for use in a particular application. Parameters provided in datasheets and/or specifications may vary in different applications and performance may vary over time. All operating parameters, including typical parameters, must be validated for each customer application by the customer's technical experts. Product specifications do not expand or otherwise modify Vishay's terms and conditions of purchase, including but not limited to the warranty expressed therein.

Except as expressly indicated in writing, Vishay products are not designed for use in medical, life-saving, or life-sustaining applications or for any other application in which the failure of the Vishay product could result in personal injury or death. Customers using or selling Vishay products not expressly indicated for use in such applications do so at their own risk and agree to fully indemnify and hold Vishay and its distributors harmless from and against any and all claims, liabilities, expenses and damages arising or resulting in connection with such use or sale, including attorneys fees, even if such claim alleges that Vishay or its distributor was negligent regarding the design or manufacture of the part. Please contact authorized Vishay personnel to obtain written terms and conditions regarding products designed for such applications.

No license, express or implied, by estoppel or otherwise, to any intellectual property rights is granted by this document or by any conduct of Vishay. Product names and markings noted herein may be trademarks of their respective owners.