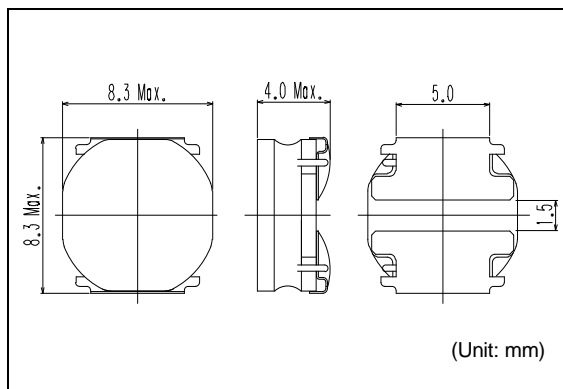
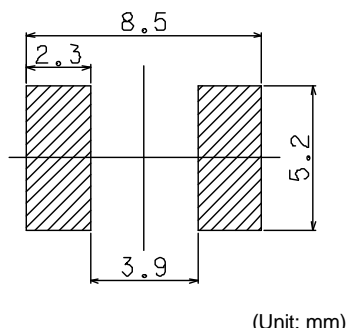


DG8040C

Inductance Range: 1.0~100μH



Recommended patterns 推荐焊盘尺寸



FEATURES 特点

- Low Profile (H=4.0mm Max).
- Magnetic Shield.
- Ideal for a variety of DC-DC converter inductor applications.(TV, DVC, etc.)
- RoHS compliant
- 小型薄型构造 (高度4.5mm max.)
- 闭磁路构造
- 最适用于各种设备的DC-DC Converter 中 (TV, DVC, etc.)
- 符合RoHS指令

TOKO STANDARD PART NUMBERS 东光标准零件号码

TYPE DG8040C (Quantity/reel; 1000 PCS)

东光零件号码	电感值	公差	测试频率	直流电阻	最大电感减小电流(典型)	
TOKO Part Number	Inductance L(μH)	Tolerance (%)	Test Frequency (kHz)	DC Resistance ±20% (mΩ)	Rated DC Current (A) Max. (Typ.)	
					ΔL/L=30%	ΔT=40[°C]
1267AY-1R0N	1.0	±30	100	7	10.4 (13.8)	8.4 (9.9)
1267AY-1R5N	1.5	±30	100	9	8.2 (10.9)	7.3 (8.6)
1267AY-2R2N	2.2	±30	100	11	7.4 (9.8)	6.5 (7.7)
1267AY-3R3N	3.3	±30	100	13	6.1 (8.1)	6.1 (7.2)
1267AY-4R7N	4.7	±30	100	17	5.1 (6.8)	5.3 (6.2)
1267AY-6R8N	6.8	±30	100	22	4.0 (5.3)	4.5 (5.3)
1267AY-100M	10	±20	100	33	3.3 (4.5)	3.9 (4.5)
1267AY-150M	15	±20	100	49	2.6 (3.5)	3.2 (3.8)
1267AY-220M	22	±20	100	62	2.3 (3.0)	2.8 (3.2)
1267AY-330M	33	±20	100	100	1.9 (2.5)	2.2 (2.6)
1267AY-470M	47	±20	100	140	1.6 (2.1)	1.9 (2.2)
1267AY-680M	68	±20	100	200	1.3 (1.7)	1.6 (1.9)
1267AY-101M	100	±20	100	280	1.1 (1.4)	1.3 (1.5)

- (1) Inductance is measured with a LCR meter 4284A (Agilent Technologies) or equivalent. Test frequency at 100kHz
- (2) DC resistance is measured with a Digital Multimeter TR6871 (Advantest) or equivalent.
- (3) Maximum allowable DC current is that which causes a 30% inductance reduction from the initial value, or coil temperature to rise by 40°C, whichever is smaller. (Reference ambient temperature 20°C)

- (1) LCR仪表4284A(Agilent Technologies) 或者功能相同的仪器在 100kHz下测试电感值。
- (2) 通过数码万用表TR6871 (Advantest) 或者相类似的工具测试直流电阻。
- (3) 允许最大直流电的范围是以下两者中比较小的一个: 从开始值降低 30%的电感值, 或者线圈温度升高40°C。(参考周围环境温度 20°C)。