

DHS4E4C342KR2B

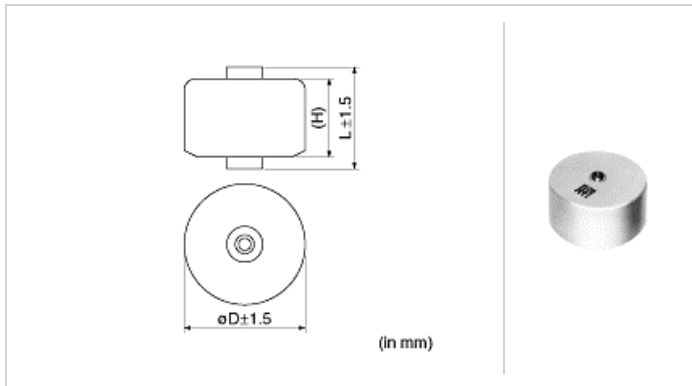
indicates a package specification code.



Last Time Buy Date: 31 Mar 2020 Date of discontinuation: 30 Sep 2020

< List of part numbers with package codes >
DHS4E4C342KR2B

Shape



| | |
|-----------------------------|------------------------------------|
| Outer diameter D | 52.0 ± 1.5mm |
| L size | 18.0 ± 1.5mm |
| H size (typical value) | 14mm |
| t size | none |
| Terminal shape (screw type) | ISO M4, P0.7 (Metric Screw Thread) |

References

| Packaging | Specifications | Minimum quantity |
|-----------|----------------|------------------|
| B | Box | 1 |

Specifications

| | |
|--|------------------|
| Capacitance | 3400pF ± 10% |
| Rated voltage | 15kVdc |
| Temperature characteristics (complied standard) | N4700(EIA) |
| Temperature coefficient | -4700±1000ppm/°C |
| Temperature range of temperature characteristics | 20 to 85°C |
| Operating temperature range | -20 to 85°C |

⚠ Attention

- 1.This datasheet is downloaded from the website of Murata Manufacturing Co., Ltd. Therefore, it's specifications are subject to change or our products in it may be discontinued without advance notice. Please check with our sales representatives or product engineers before ordering.
- 2.This datasheet has only typical specifications because there is no space for detailed specifications. Therefore, please review our product specifications or consult the approval sheet for product specifications before ordering.