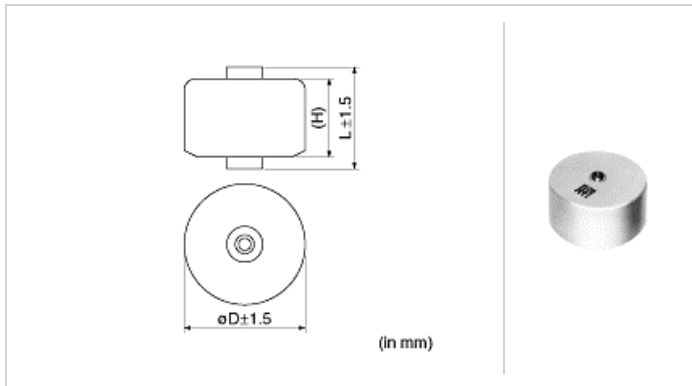




Last Time Buy Date: 31 Mar 2020 Date of discontinuation: 30 Sep 2020

< List of part numbers with package codes >
DHS4E4C532MTXB

Shape



Outer diameter D	60.0 ± 1.5mm
L size	18.0 ± 1.5mm
H size (typical value)	14mm
t size	none
Terminal shape (screw type)	No.8-32, NC-2B (Inch Screw Thread)

References

Packaging	Specifications	Minimum quantity
B	Box	1

Specifications

Capacitance	5300pF ±20%
Rated voltage	15kVdc
Temperature characteristics (complied standard)	N4700(EIA)
Temperature coefficient	-4700±1000ppm/°C
Temperature range of temperature characteristics	20 to 85°C
Operating temperature range	-20 to 85°C

⚠ Attention

- 1.This datasheet is downloaded from the website of Murata Manufacturing Co., Ltd. Therefore, it's specifications are subject to change or our products in it may be discontinued without advance notice. Please check with our sales representatives or product engineers before ordering.
- 2.This datasheet has only typical specifications because there is no space for detailed specifications. Therefore, please review our product specifications or consult the approval sheet for product specifications before ordering.