

DHSF44D332ZR2B

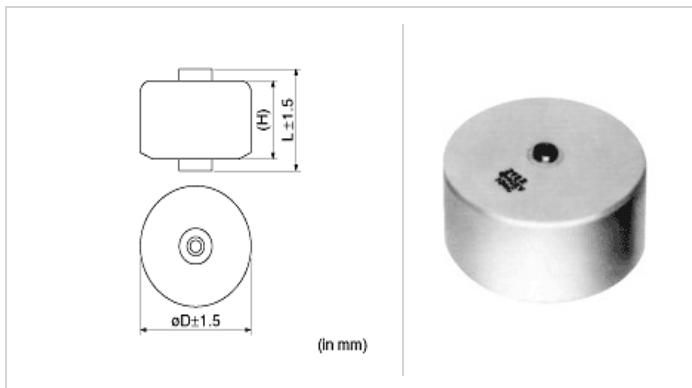
indicates a package specification code.



Last Time Buy Date: 31 Mar 2020 Date of discontinuation: 30 Sep 2020

< List of part numbers with package codes >
DHSF44D332ZR2B

Shape



Outer diameter D	52.0 ±1.5mm
L size	26.0 ±1.5mm
H size (typical value)	24mm
t size	none
Terminal shape (screw type)	ISO M4, P0.7 (Metric Screw Thread)

References

Packaging	Specifications	Minimum quantity
B	Box	1

Specifications

Capacitance	3300pF +80/-20%
Rated voltage	20kVdc
Temperature characteristics (complied standard)	Z5V(EIA)
Capacitance change rate	+22/-82%
Temperature range of temperature characteristics	10 to 85°C
Operating temperature range	-20 to 85°C

⚠ Attention

- 1.This datasheet is downloaded from the website of Murata Manufacturing Co., Ltd. Therefore, it's specifications are subject to change or our products in it may be discontinued without advance notice. Please check with our sales representatives or product engineers before ordering.
- 2.This datasheet has only typical specifications because there is no space for detailed specifications. Therefore, please review our product specifications or consult the approval sheet for product specifications before ordering.