

DIO3712

High-bandwidth and Low on-resistance Analog switch

Features

- Over-Voltage Tolerance (OVT)
- Voltage Operation: 1.8V to 5.5V
- Low On Resistance: 4.5Ω typ at 4.5V_{cc}
- High Off-Isolation
- Low Crosstalk
- Low leakage current
- Low power consumption
- Wide -3dB Bandwidth: >300MHz
- Low Distortion
- Packaged: DQFN10
- 8kV HBM; 1.5kV CDM ESD Rating

Applications

- Cell Phones
- PDAs and MP3s
- Portable Instrumentation
- Battery Powered Communications
- Computer Peripherals

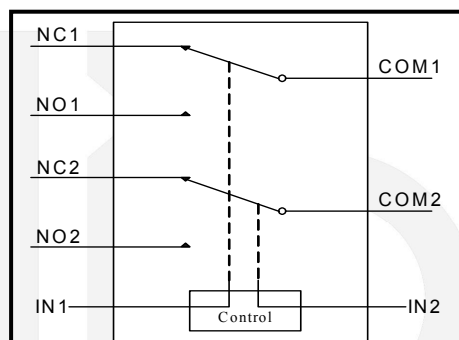
Descriptions

DIO3712 is a dual, bidirectional, single-pole/double-throw (SPDT) CMOS analog switch, which is designed to operate from a single 1.8V to 5.5V supply. It features high-bandwidth (300MHz) and low on-resistance, targeted applications for full speed USB and audio switching.

DIO3712 features power ON/OFF protection effectively protecting device against external signal perturbation. It also offers excellent -3db bandwidth and lower ON resistance, which can be used as analog switch in multiple applications.

It operates under wide V_{cc} supply from 1.8V to 5.5V, consuming very low quiescent current even when the voltage of S pin is lower than V_{cc} supply. This new feature services the mobile handset applications very well allowing for the direct interface with baseband processor general purpose I/Os with no need of level translator.

Block Diagram



Ordering Information

Order Part Number	Top Marking	Green	T _A	Package	
DIO3712LP10	YWGZ	Yes	-40 to +85°C	DQFN-10	Tape & Reel, 3000

DIO3712

High-bandwidth and Low on-resistance Analog switch

Pin Assignment

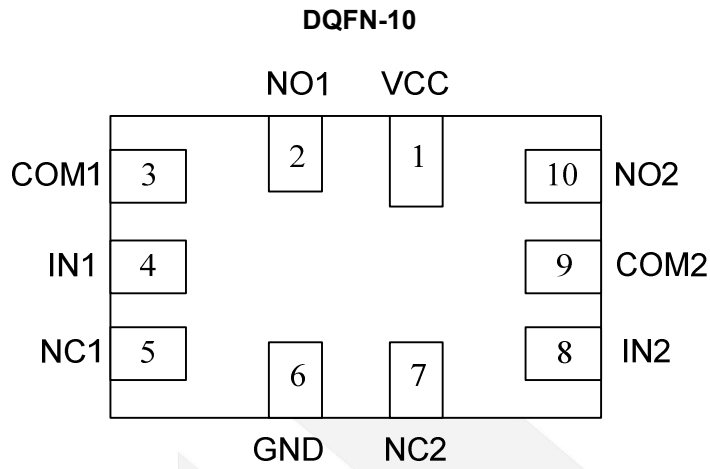


Figure 1 Top View

Pin Descriptions

Pin Name	Description
Vcc	Power Supply
GND	Ground
COM1, COM2	Common Port
NO1, NO2	Data Port
NC1, NC2	Data Port
IN1, IN2	Control Port

Truth Table

IN	Function
1	COM Connected to NO
0	COM Connected to NC

DIO3712

Absolute Maximum Ratings

Stresses beyond those listed under “Absolute Maximum Rating” may cause permanent damage to the device. These are stress ratings only and functional operation of the device at these or any other condition beyond those indicated in the operational sections of the specifications is not implied. Exposure to absolute maximum rating conditions for extended periods may affect device reliability

Symbol	Parameter	Min.	Max.	Unit
V _{CC}	Supply Voltage	-0.3	+6	V
V _S	DC Switch Voltage	-0.3	V _{CC} +0.3	V
V _{IN}	DC Input Voltage	-0.3	V _{CC} +0.3	V
I _{SW}	Switch Current		±50	mA
I _{SWpeak}	Peak Switch Current (Pulse at 1ms duration, <10% Duty Cycle)		±80	mA
T _{STG}	Storage Temperature Range	-65	150	°C
T _J	Junction Temperature		150	°C
T _L	Lead Temperature Range		260	°C
ESD	HBM, JEDEC: JESD22-A114		8	kV
	CDM, JEDEC: JESD22-C101		1.5	

Recommend Operating Conditions

The Recommended Operating Conditions table defines the conditions for actual device operation. Recommended Operating conditions are specified to ensure optimal performance to the datasheet specifications. DIOO does not Recommend exceeding them or designing to Absolute Maximum Ratings.

Symbol	Parameter	Min.	Max.	Unit
V _{CC}	Supply Voltage	1.8	5.5	V
V _{CNTRL}	Control Input Voltage	1.8	5.5	V
V _{SW}	Switch Input Voltage	1.8	5.5	V
T _A	Operating Temperature	-40	85	°C

DIO3712

High-bandwidth and Low on-resistance Analog switch

DC Electrical Characteristics

All typical value are at $T_A = 25^\circ\text{C}$, unless otherwise specified

Symbol	Parameter	Conditions	Temp.	Min.	Typ.	Max.	Unit
V_{IH}	Input voltage high	$V_{CC}=5.0\text{V}$	-40 to 85°C	1.9			V
		$V_{CC}=3.0\text{V}$		1.3			
V_{IL}	Input voltage low	$V_{CC}=5.0\text{V}$	-40 to 85°C			0.9	V
		$V_{CC}=3.0\text{V}$				0.6	
I_{IN}	Control input leakage	$V_{CC}=1.8\text{V}$ to 5.5V , $V_{IN}=0\text{V}$ or 5.5V or 3.6V	-40 to 85°C			1	μA
$I_{NC(OFF)}$ $I_{NO(OFF)}$	Source off leakage current	$V_{CC}=1.8\text{V}$ to 5.5V , V_{NO} or $V_{NC}=1.0\text{V}$, 4.5V , $V_{COM}=4.5\text{V}$, 1.0V , See Figure 3	-40 to 85°C			2	μA
$I_{NC(ON)}$ $I_{NO(ON)}$ $I_{COM(ON)}$	On leakage current	$V_{CC}=1.8\text{V}$ to 5.5V , V_{NO} or $V_{NC}=1.0\text{V}$, 4.5V , $V_{COM}=1.0\text{V}$, 4.5V , or floating	-40 to 85°C			2	μA
R_{ON}	Switch on Resistance	$V_{CC}=2.7\text{V}$, V_{NO} or $V_{NC}=1.2\text{V}$, $I_{COM}=-10\text{mA}$, See Figure 2	25°C		12		Ω
			-40 to 85°C			15	
		$V_{CC}=4.5\text{V}$, V_{NO} or $V_{NC}=3.5\text{V}$, $I_{COM}=-10\text{mA}$, See Figure 2	25°C		4.5		Ω
			-40 to 85°C			5.0	
ΔR_{ON}	On Resistance Matching between Channels	$V_{CC}=2.7\text{V}$, V_{NO} or $V_{NC}=1.5\text{V}$, $I_{COM}=-10\text{mA}$	25°C			0.3	Ω
			-40 to 85°C			0.8	
		$V_{CC}=4.5\text{V}$, V_{NO} or $V_{NC}=3.5\text{V}$, $I_{COM}=-10\text{mA}$	25°C			0.2	Ω
			-40 to 85°C			0.8	
$R_{FLT(ON)}$	On Resistance Flatness	$V_{CC}=2.7\text{V}$, V_{NO} or $V_{NC}=1.0\text{V}$, 1.5V , 2.0V , $I_{COM}=-10\text{mA}$	-40 to 85°C		5.0		Ω
		$V_{CC}=4.5\text{V}$, V_{NO} or $V_{NC}=1.0\text{V}$, 2.0V , 3.5V , $I_{COM}=-10\text{mA}$	-40 to 85°C		1.6		
I_{CC}	Power Supply Current	$V_{CC}=1.8\text{V}$ to 5.5V , $V_{IN}=0\text{V}$ or V_{CC}	-40 to 85°C			5	μA

DIO3712

High-bandwidth and Low on-resistance Analog switch

AC Electrical Characteristics

All typical value are at $V_{CC}=1.8$ to $5.5V$, $T_A=25^{\circ}C$ unless otherwise specified

Symbol	Parameter	Conditions	Temp.	Min.	Typ.	Max.	Unit
T_{ON}	Turn-On Time	V_{NO} or $V_{NC}=1.5V, R_L = 300\Omega$, $C_L = 35pF$, See Figure 9	$25^{\circ}C$			23	ns
T_{OFF}	Turn-Off Time	V_{NO} or $V_{NC}=1.5V, R_L = 300\Omega$, $C_L = 35pF$, See Figure 9	$25^{\circ}C$			20	ns
T_{bbm}	Break-Before -Make Time	V_{NO1} or $V_{NC1} = V_{NO2}$ or $V_{NC2} = 1.5V$, $R_L = 300\Omega$, $C_L = 35pF$, See Figure 8	$25^{\circ}C$			6	ns
OIRR	Off Isolation	$R_L = 50\Omega$, Signal=0dBm $C_L = 5pF$ See Figure 7	f=10MHz	$25^{\circ}C$		-57	dB
			f=1MHz	$25^{\circ}C$		-75	
Xtalk	Crosstalk	$R_L = 50\Omega$, Signal=0dBm, $C_L = 5pF$ See Figure 6	f=10MHz	$25^{\circ}C$		-96	dB
			f=1MHz	$25^{\circ}C$		-100	
BW	-3dB bandwidth	$R_L = 50\Omega$, Signal=0dBm, $C_L = 5pF$, See Figure 5	$25^{\circ}C$		300		MHz

AC Electrical Characteristics(continued)

All typical value are for $V_{CC} = 3.3V$ at $25^{\circ}C$ unless otherwise specified

Symbol	Parameter	Conditions	Temp.	Min.	Typ.	Max.	Unit
C_{ON}	On Capacitance, See Figure 4	f=1MHz	$25^{\circ}C$		10		pF

Test Diagrams

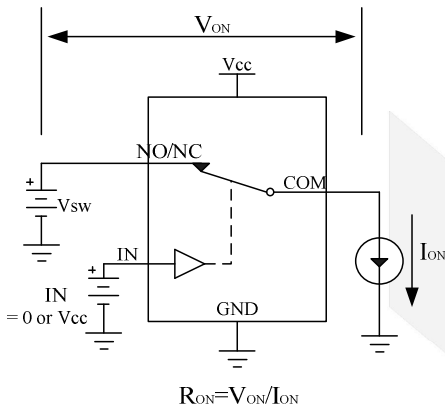


Figure 2 Switch on resistor

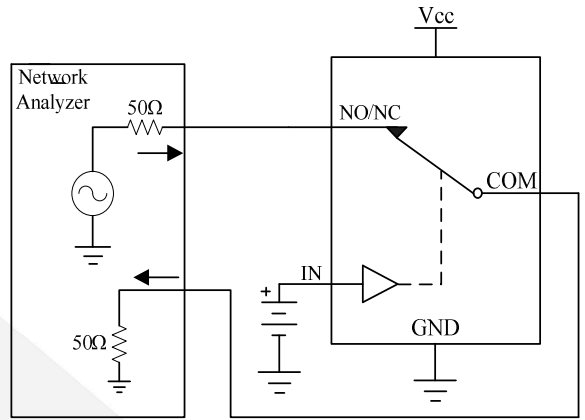


Figure 5 Bandwidth

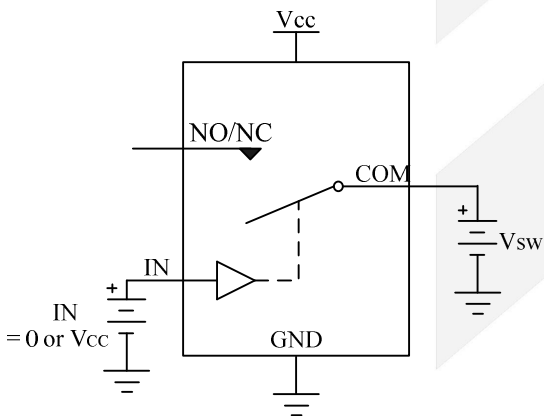


Figure 3 Switch Off Leakage

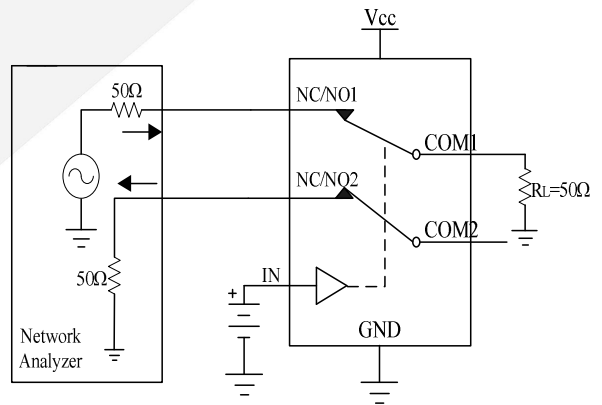


Figure 6 Channel-to-channel crosstalk

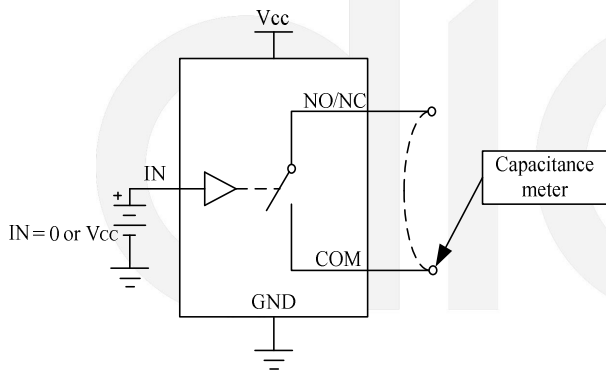


Figure 4 On/off Capacitance test

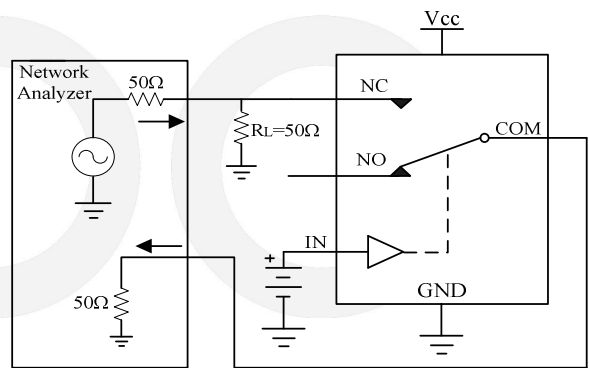


Figure 7 Off-isolation

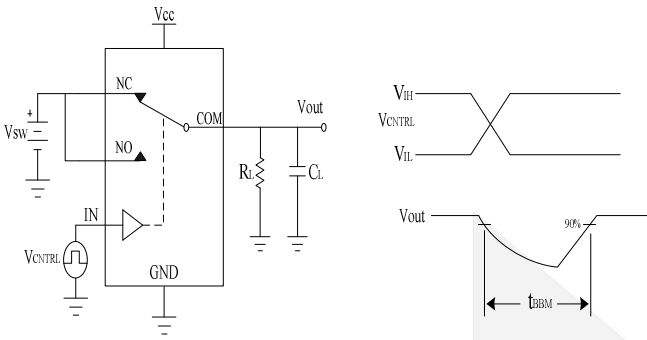


Figure 8 Break-Before-Make

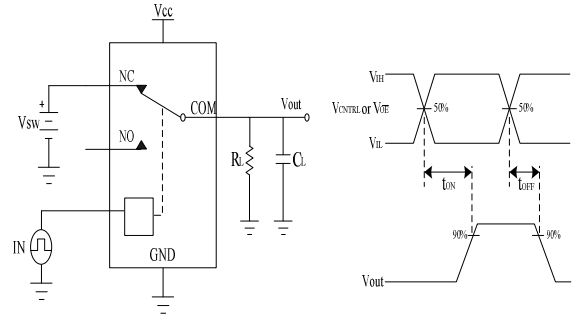


Figure 9 Turn-On/Turn-Off

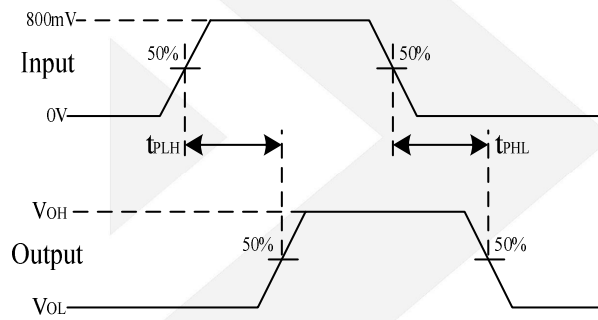


Figure 10 Propagation delay

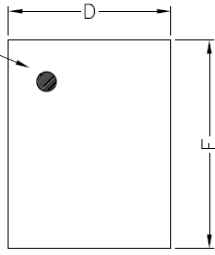


DIO3712

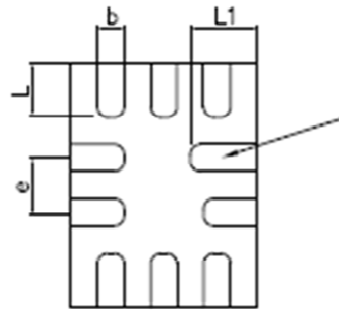
High-bandwidth and Low on-resistance Analog switch

Physical Dimensions: DQFN10

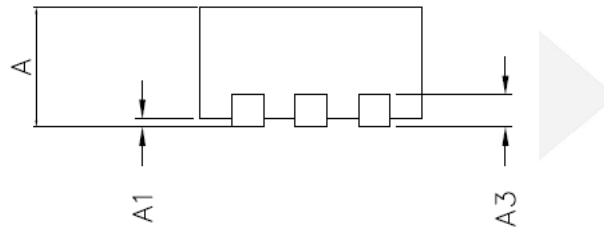
PIN 1 DOT
BY MARKING



TOP VIEW



BOTTOM VIEW



COMMON DIMENSIONS(MM)			
PKG.	UT:ULTRA THIN		
REF.	MIN.	NOM	MAX
A	0.5	0.55	0.6
A1	0		0.05
A3	0.15REF.		
D	1.35	1.4	1.45
E	1.75	1.8	1.85
b	0.15	0.2	0.25
L	0.3	0.4	0.5
L1	0.4	0.5	0.6
e	0.4BSC		

CONTACT US

Dioo is a professional design and sales corporation for high-quality and performance analog semiconductors. The company focuses on industry markets, such as, cell phone, handheld products, laptop, and medical equipments and so on. Dioo's product families include analog signal processing and amplifying, LED drivers and charger IC. Go to <http://www.dioo.com> for a complete list of Dioo product families.

For additional product information, or full datasheet, please contact with our Sales Department or Representatives.

