

INFRARED LASER DIODE



DL-3144-007S

Ver.1 May. 2001

Features

- Wavelength : 785 nm (Typ.)
- Low threshold current : I_{th} = 25 mA (Typ.)
- Small package : $\phi 5.6$ mm

Applications

Laser beam printer

Absolute Maximum Ratings

(T_c=25°C)

Parameter	Symbol	Ratings	Unit
Light Output	P _o (CW)	5	mW
Reverse Voltage	Laser	2	V
	PIN	30	
Operating Temperature 1)	T _{opr}	-10 ~ +60	°C
Storage Temperature	T _{stg}	-40 ~ +85	°C

1) Case temperature

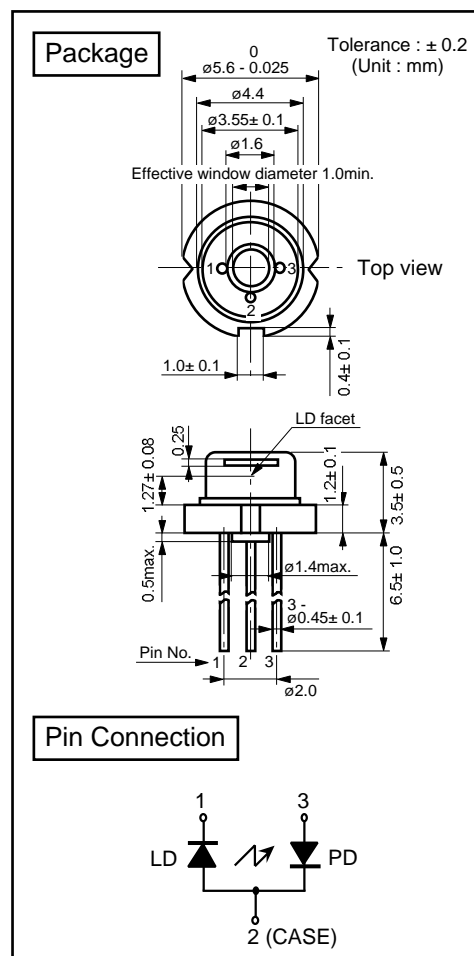
Electrical and Optical Characteristics 2) 3) 4) 6)

Parameter	Symbol	Condition	Min.	Typ.	Max.	Unit	
Threshold Current	I _{th}	CW	15	25	35	mA	
Operating Current	I _{op}	P _o =3mW	-	35	45	mA	
Lasing Wavelength	L _p	P _o =3mW	770	785	800	nm	
Beam 5) Divergence	Perpendicular	Q _v	P _o =3mW	20	27	30	°
	Parallel	Q _h	P _o =3mW	7	9	12	°
Off Axis Angle	Perpendicular	dQ _v	P _o =3mW	-	-	± 3	°
	Parallel	dQ _h	P _o =3mW	-	-	± 2	°
Differential Efficiency	dP _o /dI _{op}	-	0.15	0.35	0.5	mW/mA	
Monitoring Output Current	I _m	P _o =3mW	0.3	0.6	1.5	mA	
Astigmatism	A _s	P _o =3mW	-	-	10	μm	

2) Initial values. 3) All the above values are evaluated with Tottori sanyo's measuring apparatus.

4) Reference values. 5) Full angle at half maximum. 6) Measured at CW.

Note : The above product specification are subject to change without notice.



(T_c=25°C)

Tottori SANYO Electric Co., Ltd. Electronic Device Business Headquarters
LED Division