

BLUE - VIOLET LASER DIODE

DL-4146-101S

SANYO

Ver.3 May. 2008

Features

- Wavelength : 405nm(Typ.)
- Output power : 10mW
- Threshold current : I_{th}=26mA(Typ.)
- Package : ϕ 5.6mm with PD

Applications

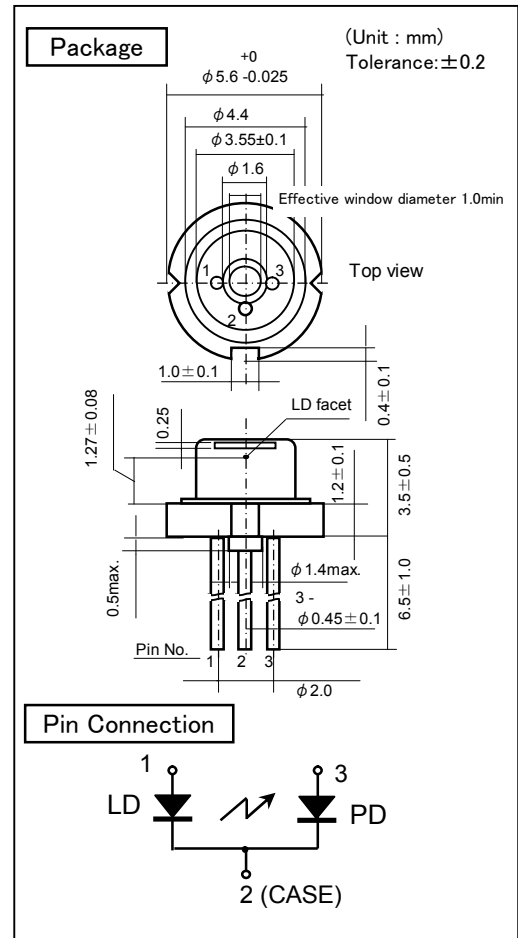
- Laser module
- Industrial Use

Absolute Maximum Ratings

(T_c=25°C)

Parameter	Symbol	Ratings	Unit
Light Output	P _o (CW)	20	mW
Reverse Voltage (LD)	VR	2	V
Operating Temperature ¹⁾	T _{opr}	0 to +75	°C
Storage Temperature ¹⁾	T _{stg}	-40 to +85	°C

1) Case temperature.



Electrical and Optical Characteristics ^{2) 3) 4) 5)}

(T_c=25°C)

Parameter	Symbol	Condition	Min.	Typ.	Max.	Unit
Threshold Current	I _{th}	CW	-	26	50	mA
Operating Current	I _{op}	P _o =10mW	-	35	60	mA
Operating Voltage	V _{op}	P _o =10mW	-	4.8	5.6	V
Lasing Wavelength	L _p	P _o =10mW	395	405	415	nm
Beam ⁶⁾ Divergence	Perpendicular	Q _v	16	19	23	°
	Parallel	Q _h	6	8.5	12	°
Off Axis Angle	Perpendicular	dQ _v	-3	-	3	°
	Parallel	dQ _h	-3	-	3	°
Differential Efficiency	SE	P _o =10mW	0.7	1.1	-	mW/mA
Monitoring Output Current	I _m	P _o =10mW	0.1	0.2	0.5	mA

2) Initial Values. 3) All the above values are evaluated with Tottori sanyo's measuring apparatus.

4) It makes a typical value a Reference Value. 5) Measurement condition : CW. 6) Full angle at half maximum.

Note : The above product specification are subject to change without notice

SANYO Electric Co.,Ltd.

Electronic Device Company Photonics Division
 URL <http://www.sanyo-photonics.com>

◆CONTACT

Electronic Device Company Sales & Marketing Division
 1-1-10 Ueno, Taito-ku, Tokyo, 110-8534 JAPAN
 Tel: +81-3-3837-6272 Fax: +81-3-3837-6390