

RED LASER DIODE

DL-LS1018

Tentative

SANYO

Ver.1 July. 2001

Features

- Wavelength : 675 nm (Typ.)
- Low threshold current : I_{th} = 40 mA (Typ.)
- Beam Number : 2
- Beam Distance : 100µm
- Small package : ø5.6mm

Applications

- Laser Beam Printer (LBP)

Absolute Maximum Ratings

(T_c=25°C)

Parameter		Symbol	Ratings	Unit
Light Output		P _o	10x2	mW
Reverse Voltage	LD	V _R	2	V
	PD		30	
Operating Temperature		T _{opr}	-10 to +60	°C
Storage Temperature		T _{stg}	-40 to +85	°C

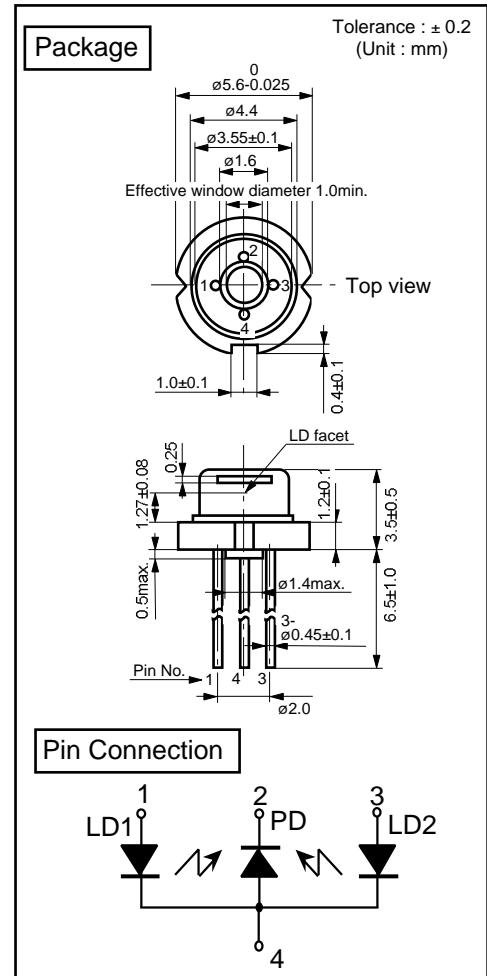
Electrical and Optical Characteristics^{1) 2)}

(T_c=25°C)

Parameter		Symbol	Condition	Min.	Typ.	Max.	Unit
Threshold Current		I _{th}	P _o =10mW	-	40	70	mA
Operating Current		I _{op}	P _o =10mW	-	60	90	mA
Operating voltage		V _{op}	P _o =10mW	-	2.3	2.6	V
Lasing Wavelength		L _p	P _o =10mW	665	675	685	nm
Beam Divergence ³⁾	Perpendicular	Q _v	P _o =10mW	25	30	40	°
	Parallel	Q _h	P _o =10mW	6	8	10	°
Off Axis Angle	Perpendicular	dQ _v	-	-	-	± 3	°
	Parallel	dQ _h	-	-	-	± 3	°
Differential Efficiency		dP _o /dI _{op}	-	0.2	0.5	-	mW/mA
Monitor Output Current		I _m	P _o =10mW	0.05	0.15	-	mA
Astigmatism		A _s	P _o =10mW	-	8	-	

1) For each one LD 2) All the above values are evaluated with Tottori sanyo's measuring apparatus.

3) Full angle at half maximum. Note : The above product specification are subject to change without notice.



Tottori SANYO Electric Co., Ltd. Electronic Device Business Headquarters
LED Division

5-318, Tachikawa, Tottori 680-8634 Japan TEL : +81-857-21-2137 FAX : +81-857-21-2161

